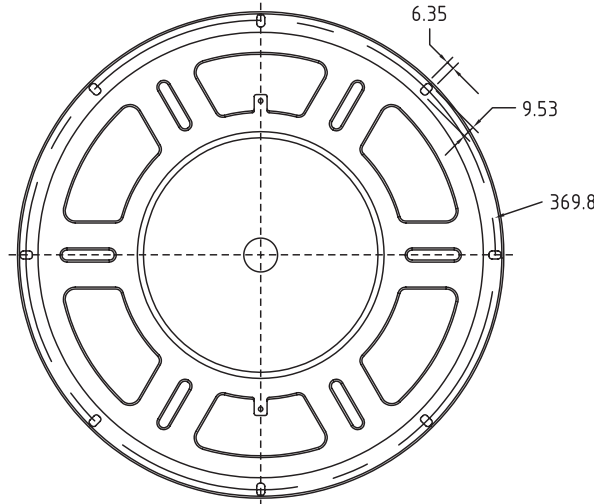
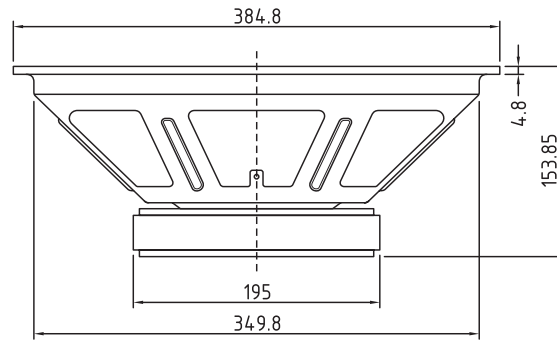


Features

- 15" poly-coated paper cone
- Rubber surround and flat spider suspension
- 2-1/2" Kapton voice coil
- Heavy magnet structure with vented pole piece
- Long excursion design
- Low free air resonance
- Made in the USA

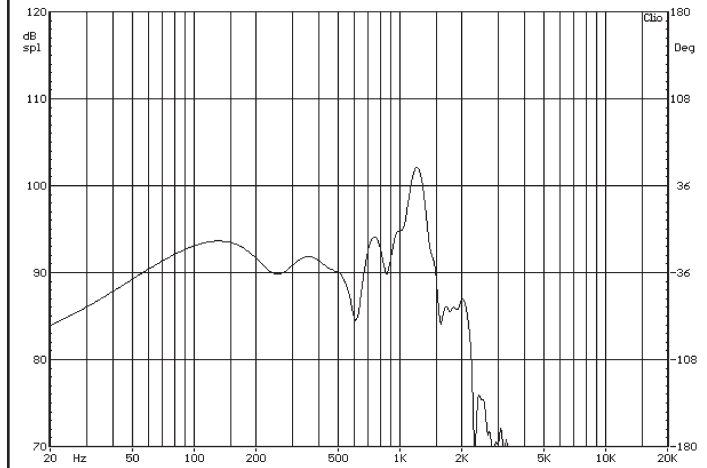
Parameters

Impedance (Ω)	8
Re (Ω)	5.8
Le (mH) @ 1 kHz	4.09
Fs (Hz)	18.8
Qms	8.30
Qes	0.33
Qts	0.32
Mms (g)	240.6
Cms (mm/N)	0.30
Sd (cm ²)	850.1
Vd (liters)	671.6
BL (Tm)	22.41
VAS (liters)	301
XMAX (mm)	7.9
VC Diameter (mm)	64
SPL (dB@1W/1m)	89.5
RMS Power Handling (w)	300
Usable Frequency Range (Hz)	19 - 1000



Note: All dimensions in mm.

Frequency Response



Note: Due to testing limitations, response below 200 Hz is not an actual representation.

Impedance/Phase

