

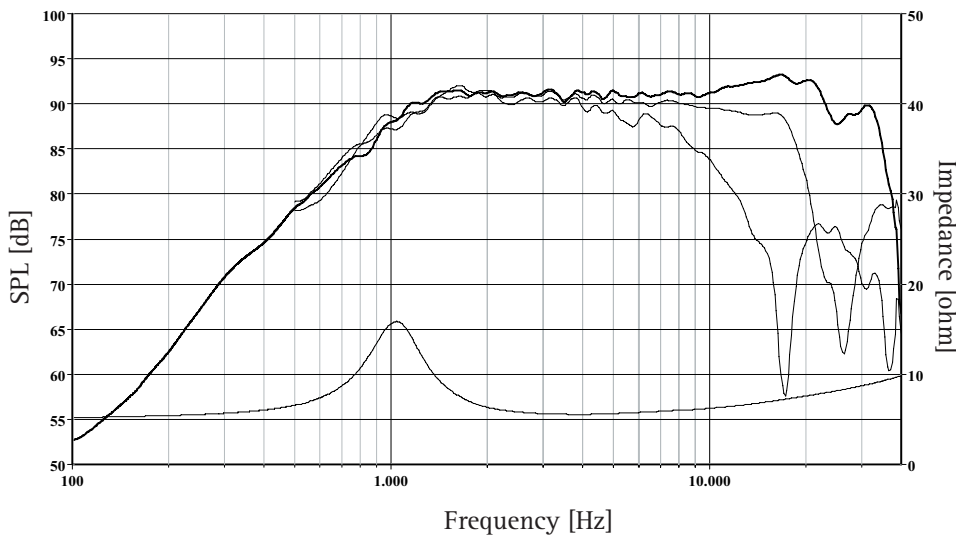
22TFF is a High Definition soft dome tweeter with a wide surround combining the high frequency dispersion of a 3/4" dome with the low frequency characteristics of a 1" dome.

One-piece Sonomex dome and surround allows for very tight production tolerances and high consistency, with a smooth and extended frequency response.

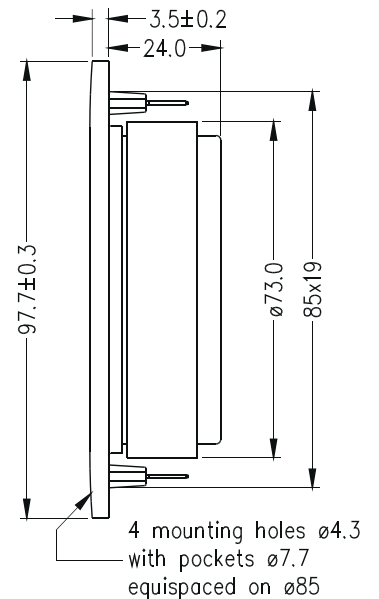
Voice coil windings immersed in magnetic fluid for increased power handling capacity and reduced compression at high power levels.

The chassis is moulded from a stiff and stable glass fibre reinforced polymer material, and its front design offers optimum radiation conditions.

Large ferrite magnet for high efficiency, and good transient response.



The frequency responses above show measured free field sound pressure in 0, 30, and 60 degrees, mounted in a 0.6m by 0.8m baffle. Input 2.83 Vrms, microphone distance 0.5m, normalized to SPL 1m. The impedance is measured without baffle using a 2V sine signal.



Nominal Impedance	6 Ohms	Voice Coil Resistance	4.9 Ohms
Recommended Frequency Range	2500 - 20000 Hz	Voice Coil Inductance	0.05 mH
Short Term Power Handling *	180 W	Force Factor	3.3 N/A
Long Term Power Handling *	90 W	Free Air Resonance	1050 Hz
Characteristic Sensitivity (2.83V, 1m)	91 dB	Moving Mass	0.25 g
Voice Coil Diameter	19.5 mm	Effective Piston Area	5.9 cm ²
Voice Coil Height	1.6 mm	Magnetic Gap Flux Density	2.0 T
Air Gap Height	2 mm	Magnet Weight	0.25 kg
Linear Coil Travel (p-p)	0.4 mm	Total Weight	0.5 kg