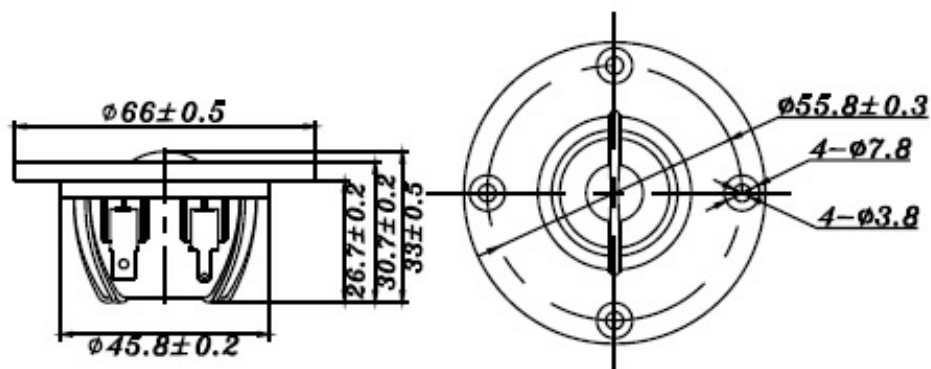


TW SERIES

25-1719S



- CERAMIC DIAPHRAGM WITH FABRIC SURROUND
- BACK CHAMBER DESIGN, Fo OF 800Hz
- LOW 2nd AND 3rd DISTORTION (LOW THD)
- EXCELLENT OFF-AXIS DISPERSION
- FREQUENCY RESPONSE OF 800Hz ~ 30KHz
- FERROFLUID COOLED
- MAGNETIC SHIELDED

25mm CERAMIC DOME TWEETER

DIAPHRAGM MTL	Ceramic
SURROUND MTL	Fabric
NOMINAL IMPEDANCE	4 Ω
DCR IMPEDANCE	3 Ω
SENSITIVITY 1W/1M	90 dB
FREQUENCY RESPONSE	800Hz -30K Hz
FREEAIR RESONANCE	800 Hz
VOICE COIL DIAMETER	25.4 mm
AIR GAP HEIGHT	2 mm
RATED POWER INPUT	8 W
MAXIMUM POWER INPUT	80 W
FORCE FACTOR, BL	N/A
MAGNET WEIGHT (oz)	Neodymium
MOVING MASS	N/A
FERROFLUID ENHANCED	Yes
SUSPENSION COMPLIANCE	N/A
EFFECTIVE PISTON AREA	N/A
Levc	0.002 mH
Zo	5.8 ohm
Xmax	N/A
Vas	N/A
Qts	N/A
Qms	N/A
Qes	N/A

SPL vs Freq



TB SPEAKERS

VOICE: 886.2.26570282 FAX: 886.2.26580166
E-MAIL: info@tb-speaker.com