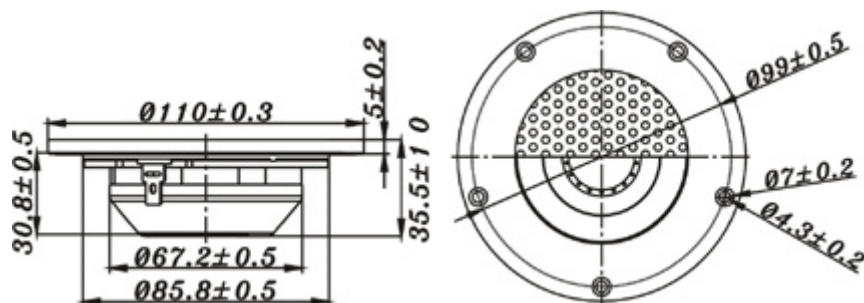


TW SERIES

25-1983



- REVERSE COATED TITANIUM DOME DIAPHRAGM WITH FOAM RUBBER SURROUND
- FERROFLUID COOLED
- NEODYMIUM MAGNET SYSTEM ,HIGH SPL OF 90dB/M/W
- ALUMINIUM FRONT PANEL
- VERY WIDE DISPERSION ANGLE
- FREQUENCY RESPONSE OF 500Hz-40KHz
- SHORT RING TREATED, VERY LOW 2nd & 3rd DISTORTION

1" TITANIUM DOME / NEODYMIUM

DIAPHRAGM MTL	Coated Titanium
SURROUND MTL	Foam Rubber
NOMINAL IMPEDANCE	8 W
DCR IMPEDANCE	6 W
SENSITIVITY 1W/1m	90 dB
FREQUENCY RESPONSE	500Hz-40 KHz
FREE AIR RESONANCE	500 Hz
VOICE COIL DIAMETER	25.4 mm
AIR GAP HEIGHT	2.5 mm
RATED POWER INPUT	8 W
MAXIMUM POWER INPUT	80 W
FORCE FACTOR, BL	N/A
MAGNET WEIGHT (oz)	Neodymium
MOVING MASS	N/A
FERRO FLUID ENHANCED	Yes
SUSPENSION COMPL.	N/A
EFFEC.PISTON AREA	N/A
Levc	0.004mh
Zo	18 ohm
X-max	N/A
Vas	N/A
Qts	N/A
Qms	N/A
Qes	N/A



VOICE:886.2.26570282 FAX:886.2.26580166
E-MAIL :info@tb-speaker.com