

## Features

25 mm Magnesium Ceramic tweeter, inner and outer surface ceramic coated guarantees a high stiffness with high inner damping performance, soft and rich sound with extraordinary details, excellent 3D staging.

25 mm Magnesium Hochtöner, beidseitig mit Keramik beschichtete Kalotte, garantiert eine hohe Steifigkeit mit sehr guter inneren Dämpfung, weicher, runder Klang mit frappierender Detailauflösung, exzellente 3D Raumdarstellung.

#1.6263.04

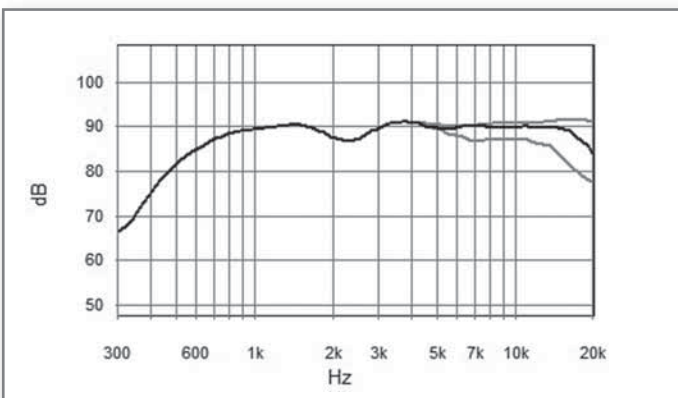
## Main technical data

Nominal impedance	$Z_n$	8	$\Omega$
DC resistance	$R_e$	6.6	$\Omega$
Resonance frequency 1W	$f_r$	800	Hz
Resonance frequency TSP	$f_r$	-	Hz
Suspension compliance	$C_{MS}$	-	mm/N
Mechanical Q	$Q_{ms}$	-	
Electrical Q	$Q_{es}$	-	
Total Q	$Q_{ts}$	-	
Mechanical resistance	$R_{MS}$	-	kg/s

Total moving mass (incl. air mass)	$M_{MD}$	0.20	g
Effective piston area	$S_D$	6.9	cm <sup>2</sup>
Voice coil inductance	$L_e$	0.02	mH
Force factor	$B_L \cdot x_l$	3.7	Tm
Xmax electrical	+/-	0.4	mm
Xmax mechanical	+/-	1.4	mm
Equivalent air vol. of suspension	$V_{AS}$	-	dm <sup>3</sup>
Characteristic SPL 1 Watt/1m		92	dB SPL
Rated power		100*	W

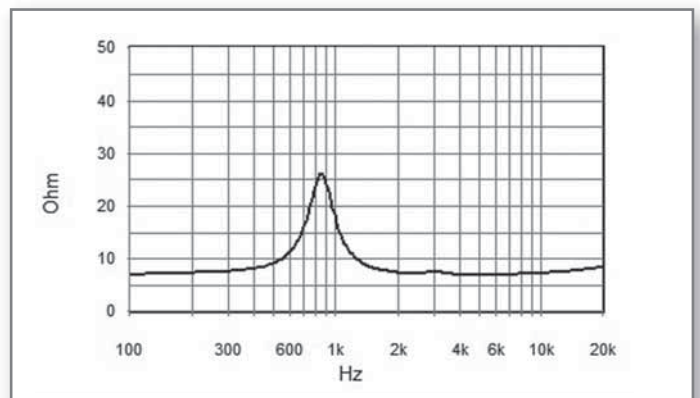
\*with crossover

## Frequency response

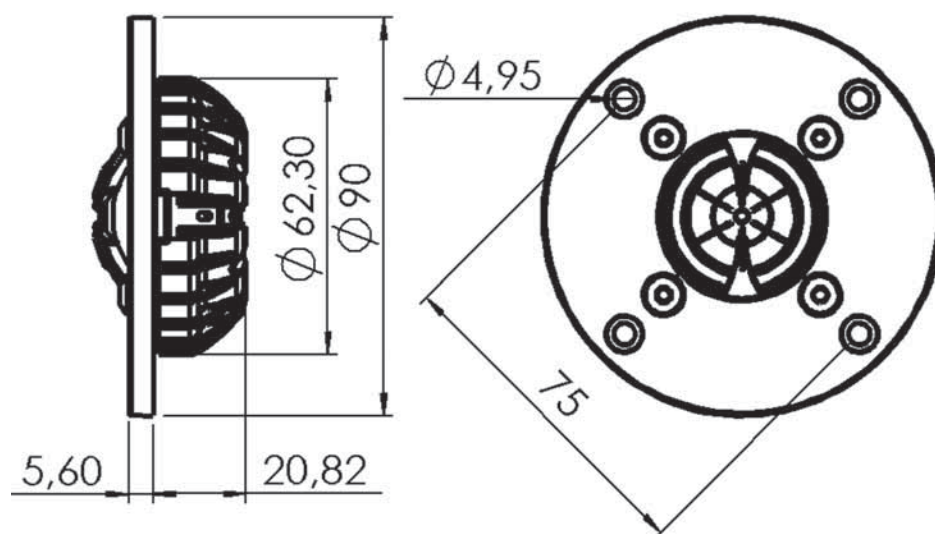


SPL 2,83 V/1m; black 30°, grey 0,60°  
Half space; baffle 40x30 cm

## Impedance



Measured free air without baffle



### Mechanical data

Overall diameter	90	mm
Volume cap diameter	62.3	mm
Frame depth	5.6	mm
Overall depth	26.5	mm
Screw holes diameter	5/ 8	mm
Terminal	4.8/ 4.8	mm
Weight	0.25	kg

### Voice coil

Diameter	25	mm
Height	1.2	mm
Wire material	Aluminium, Cu clad	
Former material	Aluminium	
Layers	2	

### Magnet

Flux density	1.8	T
Height of gap	2	mm
Material	Neodymium	
Dimension	55 x 32	mm
Height	3	mm
Motor type	Underhung	
Ferrofluid	no	

### Other data

Recommended frequency range	2000-25000 Hz
-----------------------------	---------------