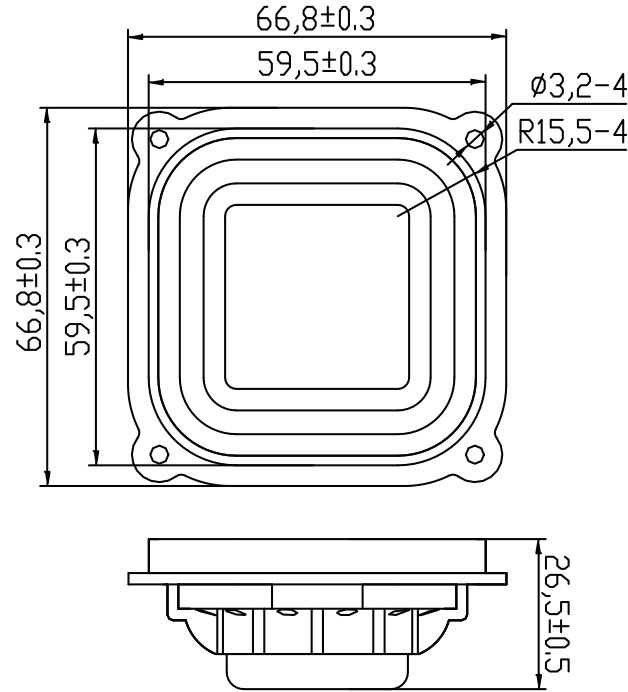


BMT25-4

Balanced Mode Transducer 25x25mm 20W 4 Ohm



Parameters

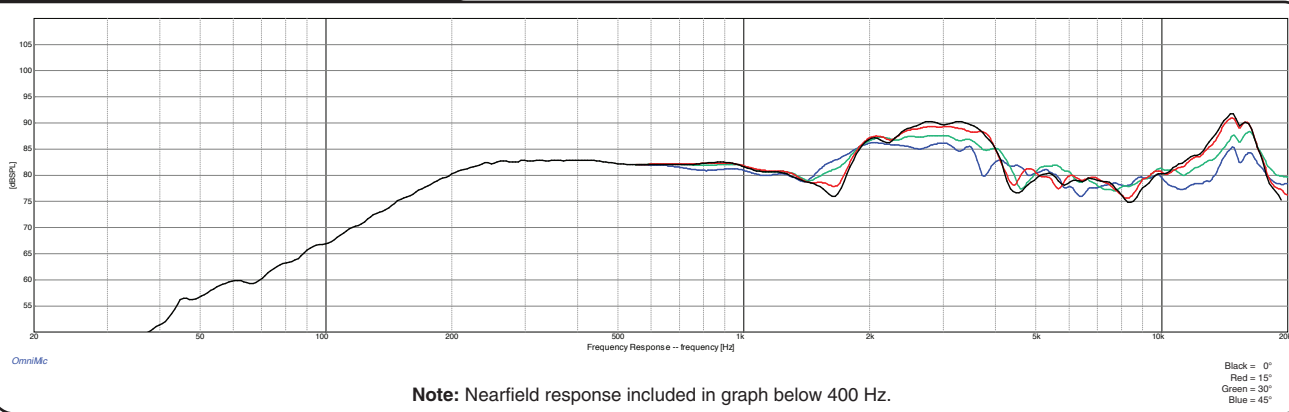
Impedance (Ω)	4
Re (Ω)	4.3
Le (mH) @ 1 kHz	0.09
Fs (Hz)	212
Qms	3.83
Qes	1.50
Qts	1.1
Mms (g)	3.70
Cms (mm/N)	0.15
Sd (cm ²)	4.64
Vd (cm ³)	0.7
BL (Tm)	3.86
VAs (liters)	0.005
XMAX (mm)	1.5
VC Diameter (mm)	25
SPL (dB@2.83W/1m)	82.1
RMS Power Handling (w)	20
Usable Frequency Range (Hz)	150-15,000

Features

- Smooth frequency response
- Ultra compact design
- Wide dispersion

Note: All dimensions in mm.

Frequency Response



Impedance/Phase

