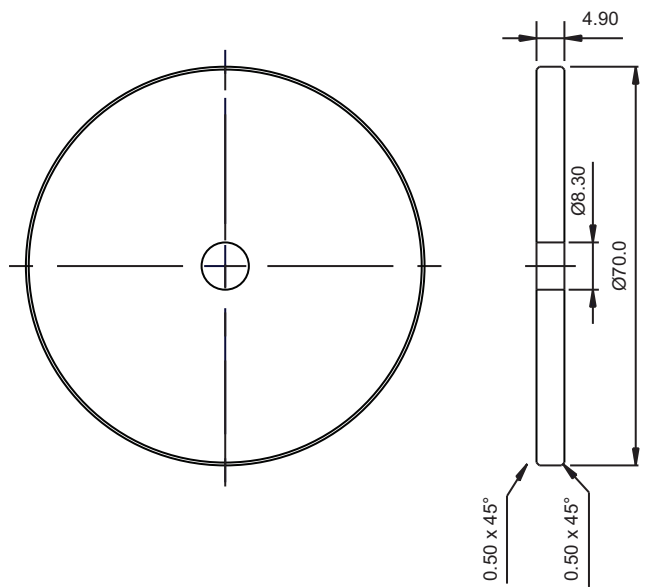
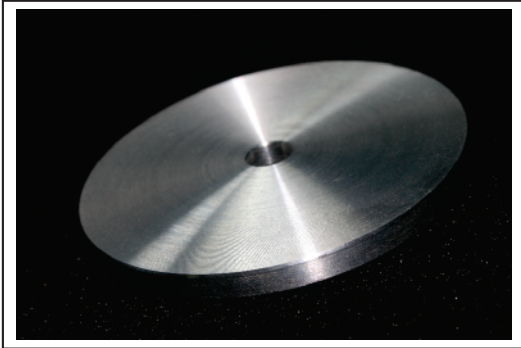


ACOUSTICS

DW50



Specs :

Mass, M 50 g

Material Aluminium

Application

The DW50 disc weight is used to adjust the moving mass of the SB ACOUSTICS passive radiators. Use an M8 bolt for mounting.