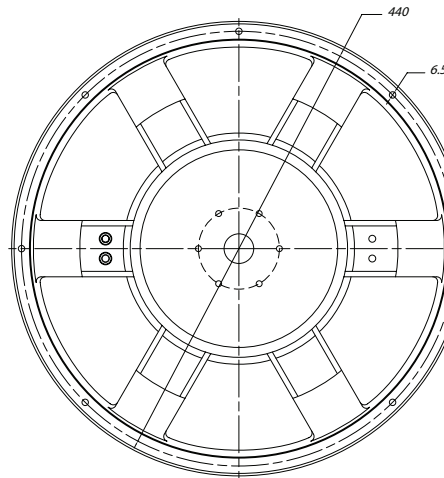
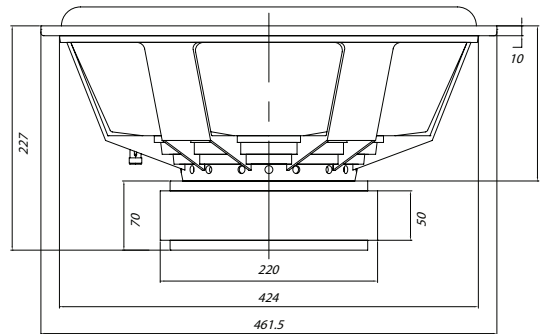


Features

- Heavy gauge black anodized aluminum cone
- 3" 4-layer voice coil
- Fully vented construction
- Triple-shorting-ring motor
- Rigid cast frame
- Rubber surround
- High power handling

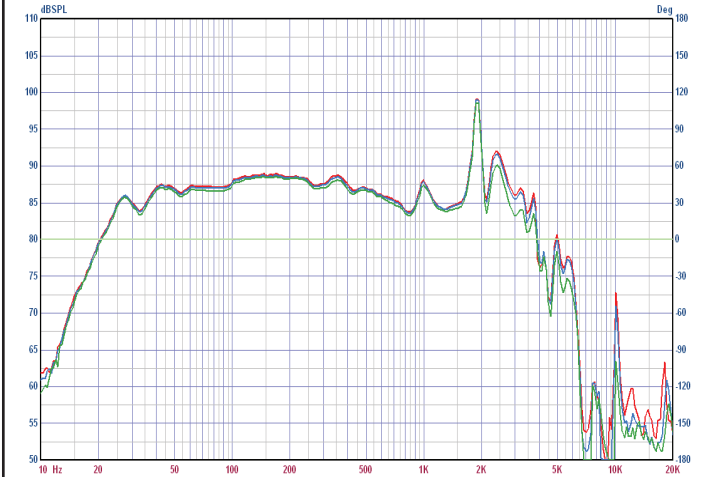
Parameters

Impedance (Ω)	4
Re (Ω)	3.41
Le (mH) @ 1 kHz	2.10
Fs (Hz)	19.6
Qms	3.90
Qes	0.43
Qts	0.39
Mms (g)	425.9
Cms (mm/N)	0.15
Sd (cm ²)	1164.0
Vd (cm ³)	1484.1
BL (Tm)	20.4
VAS (liters)	298.0
XMAX (mm)	12.75
VC Diameter (mm)	76.2
SPL (dB@1W/1m)	89.2
RMS Power Handling (w)	900
Usable Frequency Range (Hz)	20 - 500



Note: All dimensions in mm.

Frequency Response



Note: Due to testing limitations, response below 200 Hz is not an actual representation.

Impedance/Phase

