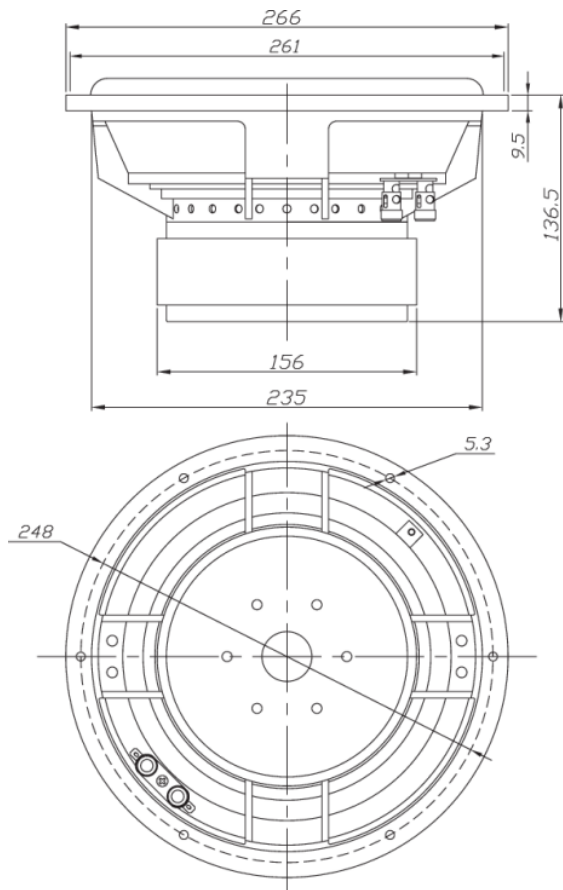




RSS265HO-4 10" Reference HO Subwoofer 4 Ohm

RSS265HO-4



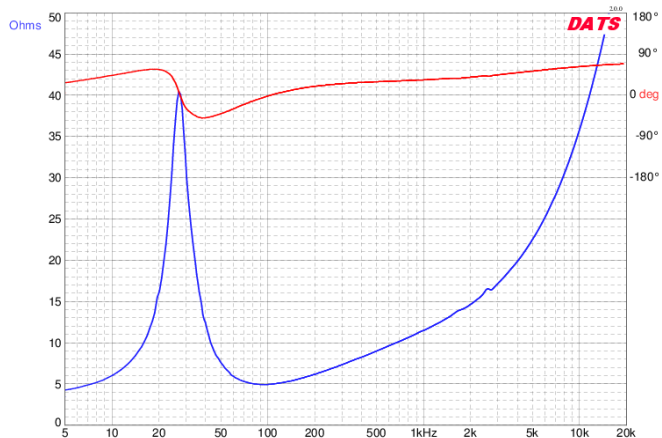
PARAMETERS

Impedance	4 ohms
Re	3.5 ohms
Le	1.74 mH @ 1 kHz
Fs	26.9 Hz
Qms	4.02
Qes	0.39
Qts	0.35
Mms	201g
Cms	0.17 mm/N
Sd	349.7 cm ²
Vd	430.1 cm ³
BL	17.6 Tm
Vas	29.4 liters
Xmax	12.3 mm
VC Diameter	64 mm
SPL	87.2 dB @ 2.83V/1m
RMS Power Handling	600 watts
Usable Frequency Range (Hz)	24 - 600 Hz

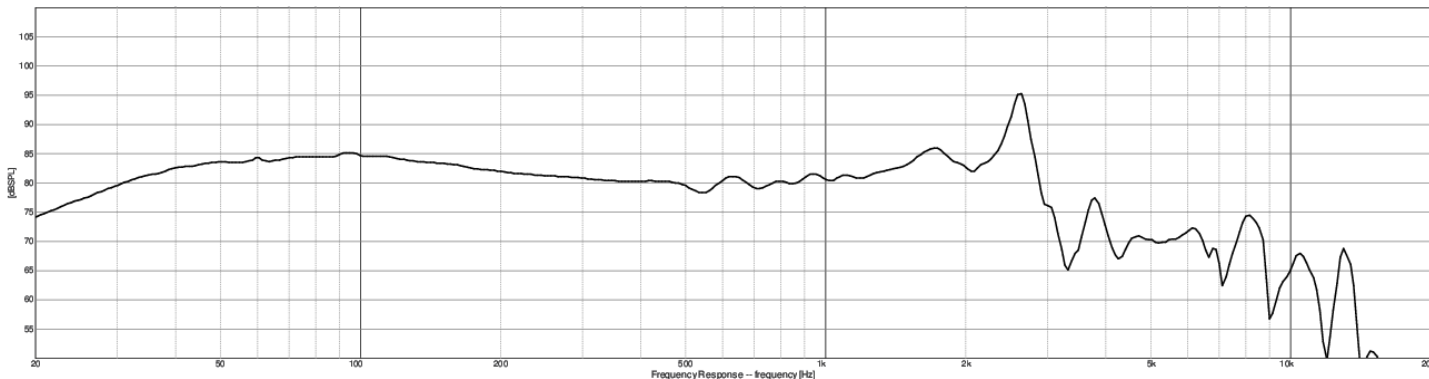
FEATURES

- Extensively vented motor eliminates compression and allows quiet excursion
- Extra-thick black anodized aluminum cone for maximum rigidity
- Triple shorting ring motor for ultra-low distortion
- 4-layer coil for high power handling
- Optimized parameters for small enclosures

IMPEDANCE/PHASE



FREQUENCY RESPONSE



Note: 1/24th octave smoothing - nearfield response included in graph below 450 Hz.

Black = 0°