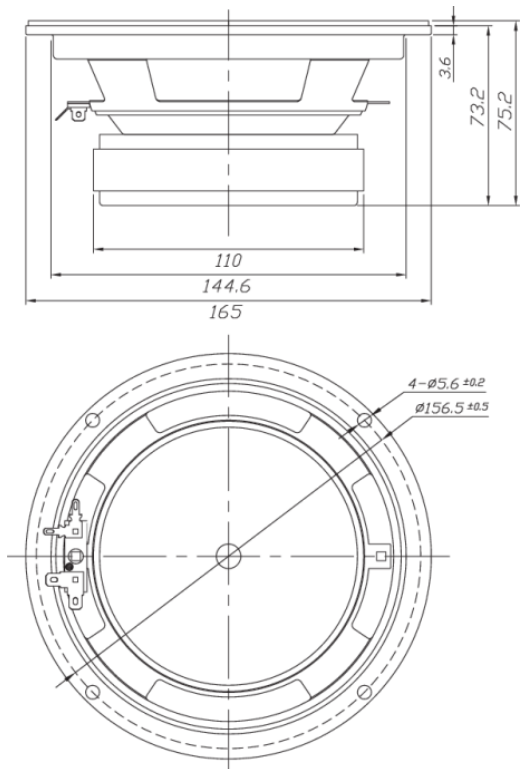




PA165-8 6" PA Driver Speaker 8 Ohm



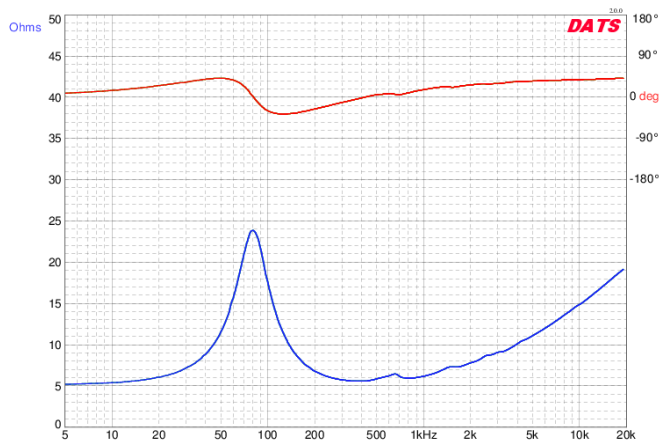
PARAMETERS

Impedance	8 ohms
Re	5.15 ohms
Le	0.54 mH @ 1 kHz
Fs	80.8 Hz
Qms	2.19
Qes	0.60
Qts	0.47
Mms	9.2g
Cms	0.42 mm/N
Sd	120.8 cm ²
Vd	N/A
BL	6.33 Tm
Vas	9.2 liters
Xmax	0 mm
VC Diameter	35 mm
SPL	92.9 dB @ 2.83V/1m
RMS Power Handling	75 watts
Usable Frequency Range (Hz)	80 - 5,000 Hz

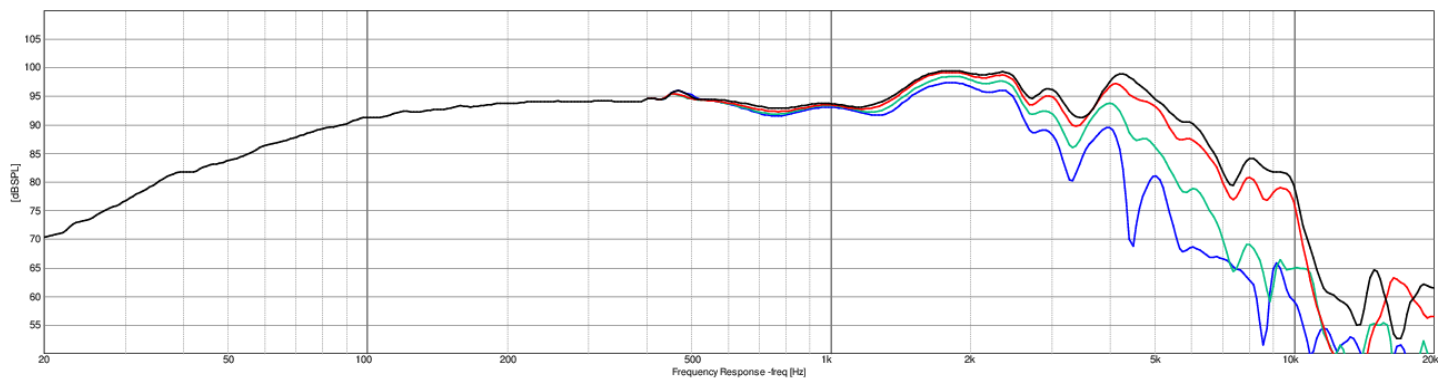
FEATURES

- High power and efficiency for extreme output
- Perfect for use as a high output midrange or midbass
- Even hung voice coil to maximize efficiency
- Naturally damped paper cone and cloth surround

IMPEDANCE/PHASE



FREQUENCY RESPONSE



Note: 1/24th octave smoothing - nearfield response included in graph below 450 Hz.

Black = 0°
Red = 15°
Green = 30°
Blue = 45°