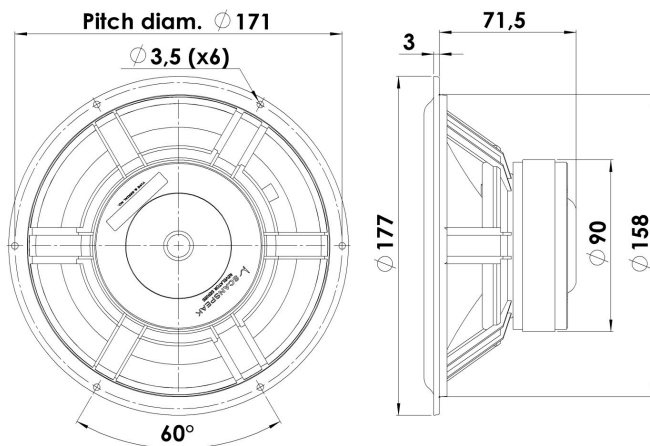




## MIDWOOFER

## 18W/8535-01

This unit is an improved version of the highly praised 18W/8535-00 midwoofer, where a new aluminum chassis and an updated cone as well as a few other details are introduced, these updates improve mechanical stability and sound performance. High-quality magnet system design with patented Symmetric Drive(SD-1) continues to be key feature.



### KEY FEATURES:

- Patented Symmetrical Drive Motor Design
- 38mm Voice Coil
- Low Damping SBR Rubber Surround
- Coated Air Dried Paper/Carbon Fibre Cone
- Low-Loss linear suspension
- Aluminium Chassis

#### T-S Parameters

Resonance frequency [fs]	25 Hz
Mechanical Q factor [Qms]	2.1
Electrical Q factor [Qes]	0.46
Total Q factor [Qts]	0.38
Force factor [Bl]	5.9 Tm
Mechanical resistance [Rms]	1.33 kg/s
Moving mass [Mms]	17.2 g
Compliance [Cms]	2.30 mm/N
Effective diaph. diameter [D]	136 mm
Effective piston area [Sd]	145 cm <sup>2</sup>
Equivalent volume [Vas]	68.9 l
Sensitivity (2.83V/1m)	87.2 dB
Ratio Bl/√Re	2.44 N/√W
Ratio fs/Qts	67.4 Hz

#### Notes:

IEC specs. refer to IEC 60268-5 third edition.  
All Scan-Speak products are RoHS compliant.  
Data are subject to change without notice.  
Datasheet updated: December 20, 2012.

#### Electrical Data

Nominal impedance [Zn]	8 Ω
Minimum impedance [Zmin]	6.8 Ω
Maximum impedance [Zo]	32 Ω
DC resistance [Re]	5.85 Ω
Voice coil inductance [Le]	0.33 mH

#### Power Handling

100h RMS noise test (IEC 17.1)	70 W
Long-term max power (IEC 17.3)	190 W

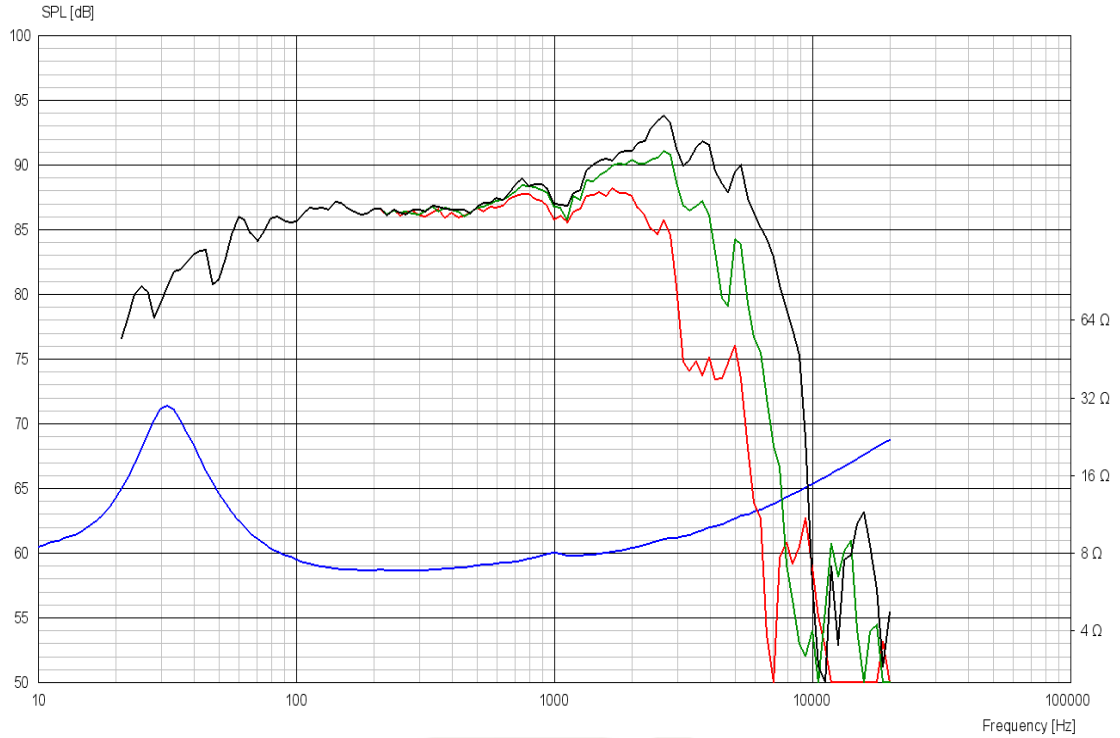
#### Voice Coil & Magnet Data

Voice coil diameter	38 mm
Voice coil height	15 mm
Voice coil layers	2
Height of gap	5 mm
Linear excursion	± 5 mm
Max mech. excursion	± 10 mm
Unit weight	1.1 kg

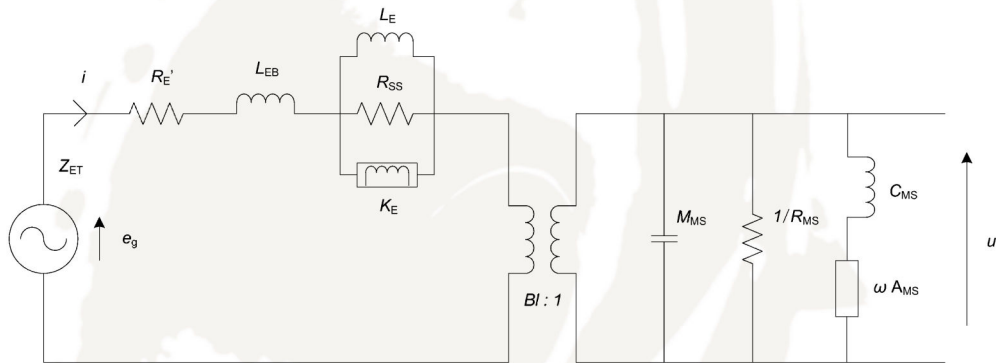


# MIDWOOFER

# 18W/8535-01



## Advanced Parameters (Preliminary)



### Electrical data

Resistance [Re']	6.23 Ω
Free inductance [Leb]	0.089 mH
Bound inductance [Le]	2.39 mH
Semi-inductance [Ke]	0.028 SH
Shunt resistance [Rss]	237 Ω

### Mechanical Data

Force Factor [Bl]	5.93 Tm
Moving mass [Mms]	17.2 g
Compliance [Cms]	2.28 mm/N
Mechanical resistance [Rms]	1.33 kg/s
Admittance [Ams]	0.34 mm/N