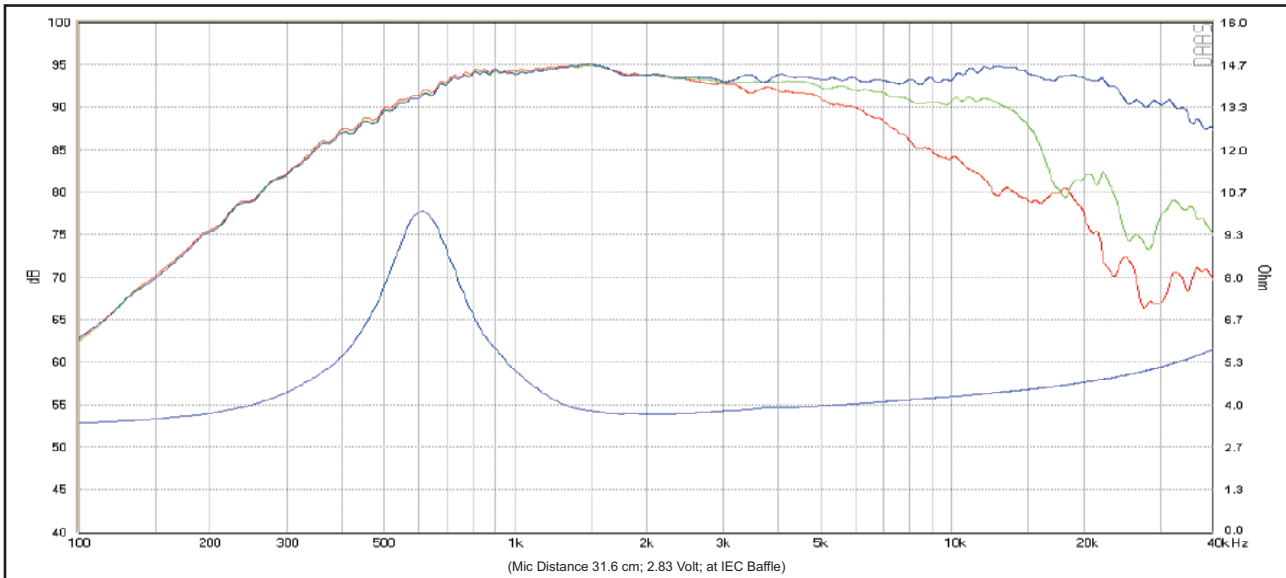
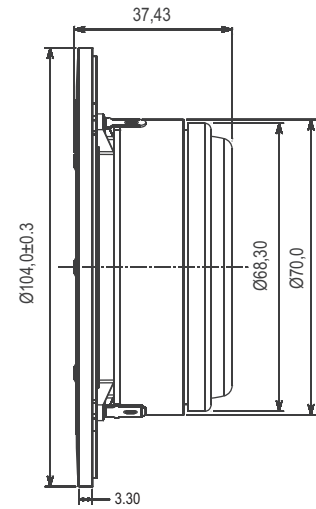
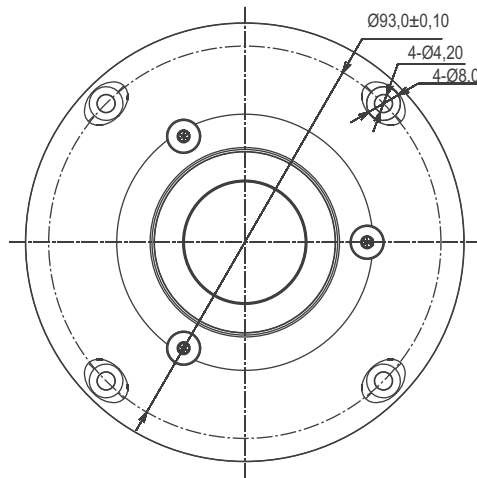


# ACOUSTICS

## SB29RDC-C000-4



Response Curve :

— (Blue) : on axis      — (Green) : 30 off-axis      — (Red) : 60 off-axis

### Specs :

Nominal Impedance	4 Ω	Free air resonance, Fs	600 Hz
DC resistance, Re	3.0 Ω	Sensitivity (2.83 V/1m)	93 dB
Voice coil inductance, Le	0.05 mH	Mechanical Q-factor, Qms	2.2
Effective piston area, Sd	9.6 cm <sup>2</sup>	Electrical Q-factor, Qes	0.9
Voice coil diameter	29.0 mm	Total Q-factor, Qts	0.65
Voice coil height	2.0 mm	Force factor, Bl	-
Air gap height	2.5 mm	Rated power handling*	100 watt
Linear coil travel (p-p)	0.5 mm	Magnetic flux density	1.1 T
Moving mass incl. air, Mms	0.45 g	Magnet weight	0.22 kg
		Net weight	0.5 kg

\* (IEC 268-5, Via High Pass Butterworth Filter 2500Hz 12 dB/oct.