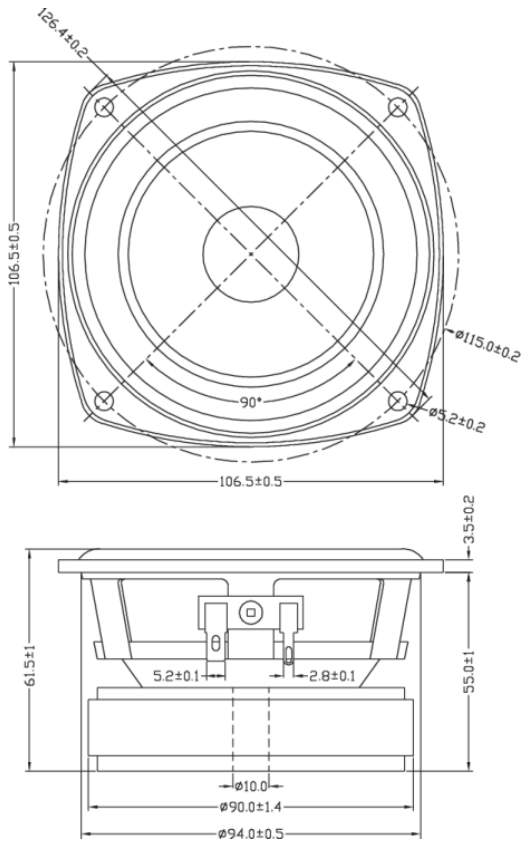




CF120-4 4-1/2" Woven Carbon Fiber Midwoofer 4 Ohms

CF120-4



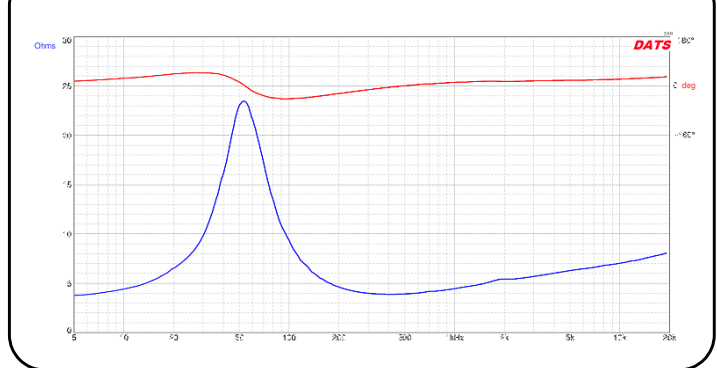
PARAMETERS

Impedance	4 ohms
Re	3.4 ohms
Le	0.45 mH @ 1 kHz
Fs	53.2 Hz
Qms	1.89
Qes	0.32
Qts	0.28
Mms	6.9g
Cms	1.31 mm/N
Sd	51.5 cm ²
Vd	20.6 cm ³
BL	4.94 Tm
Vas	4.87 liters
Xmax	3.5 mm
VC Diameter	25.4 mm
SPL	89.1 dB 2.83V/1m
RMS Power Handling	30 watts
Usable Frequency Range (Hz)	50 - 15,000 Hz

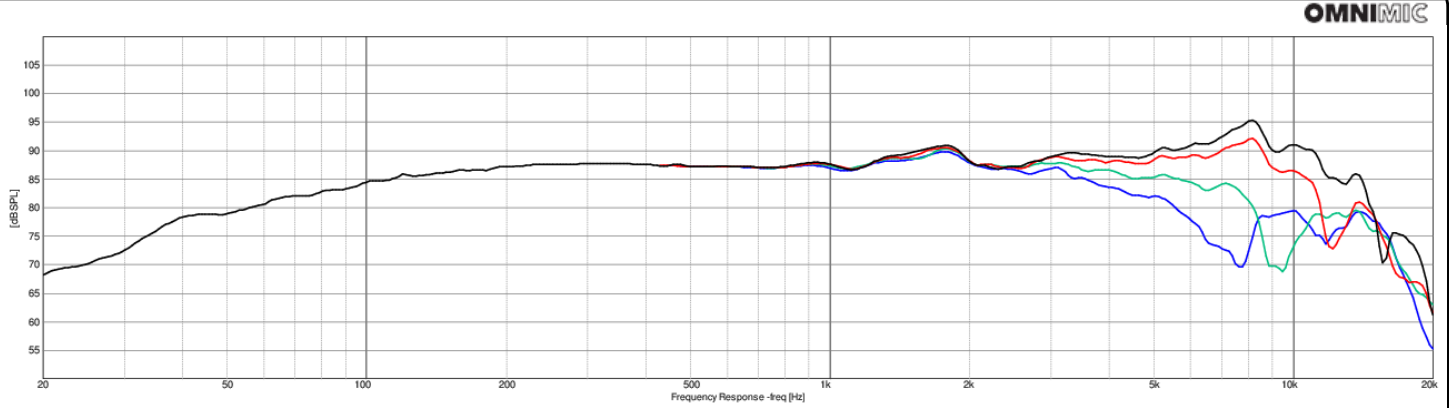
FEATURES

- Pincushion cast aluminum frame
- Ultra-light and stiff woven carbon fiber cone
- Copper cap and large magnet provide a low distortion motor structure
- Durable and potent 1" diameter hi-temp 2-layer voice coil
- Black anodized aluminum vented former increases heat dissipation and power handling

IMPEDANCE/PHASE



FREQUENCY RESPONSE



Note: 1/24th octave smoothing - nearfield response included in graph below 450 Hz.

Black = 0°
Red = 15°
Green = 30°
Blue = 45°