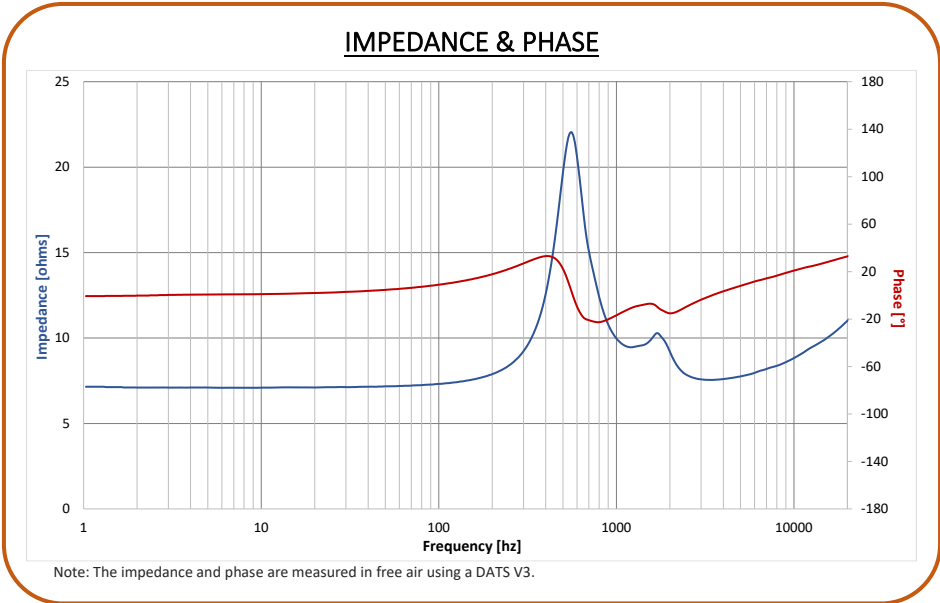
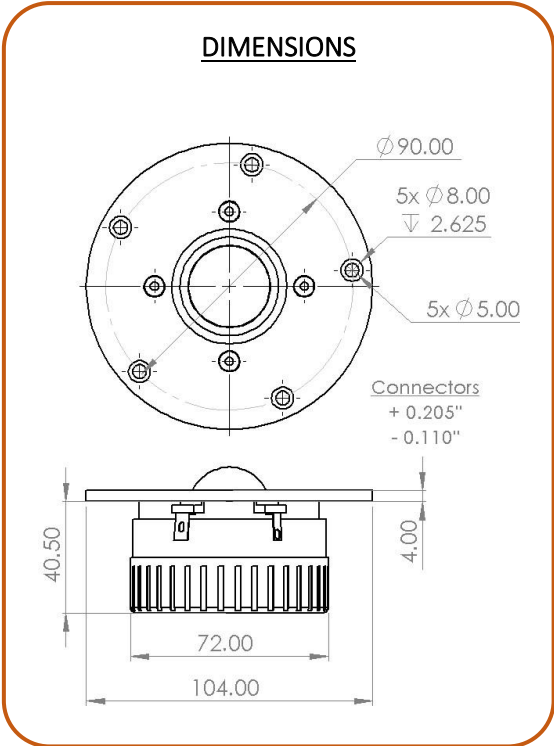




# MODEL : HR104B8-15T

## TYPE : Tweeter driver

- ### FEATURES
- Silk dome and surround
  - Cast frame
  - Large frequency response



### PARAMETERS

Fs	545 Hz
Impedance	8 ohms
Re	7.10 ohms
Qms	2.51
Qes	N/A
Qts	0.79
Vas	N/A
Le	N/A
SPL	91.0 dB @ 2.83V/1m
Mms	N/A
Cms	N/A
BL	N/A
Xmax	N/A
RMS Power Handling	30 W
Sd	6.97 cm <sup>2</sup>
Usable Frequency Range	2,000 - 22,000 Hz

Note : T/S Parameters measured on drive units that are broken in.

