

Box Properties

--Description--

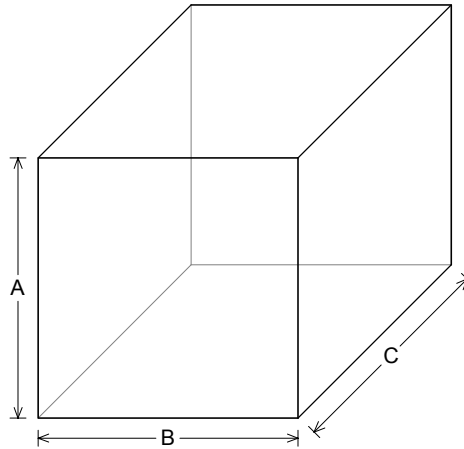
Name:
Type: Passive Radiator Box
Shape: Prism, square

--Box Parameters--

Vb = 0.6 cu.ft
V(total) = 0.654 cu.ft
QL = 7
F3 = 43.82 Hz
Fill = normal

--Passive Radiators--

No. of Passive Radiators = 1
Fs = 11 Hz
Qms = 14
Vas = 80 liters
Cms = 0.5 mm/N
Mms = 400 g
Rms = 2 kg/s
Sd = 333 sq.cm



--External Dimensions--

A = 12 in
B = 12 in
C = 13.31 in

--Internal Dimensions--

A = 10 in
B = 10 in
C = 11.31 in

--Wall Thickness--

Front = 1 in
Side = 1 in

Driver Properties

--Description--

Name: 26W/4558T00
Type: Standard one-way driver
Company: Scan-Speak A/S

--Configuration--

No. of Drivers = 1

--Mechanical Parameters--

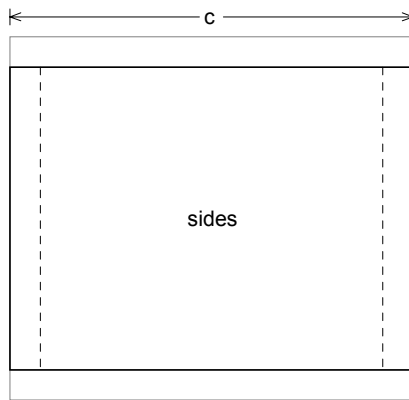
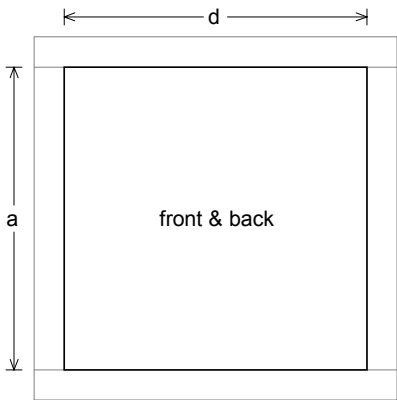
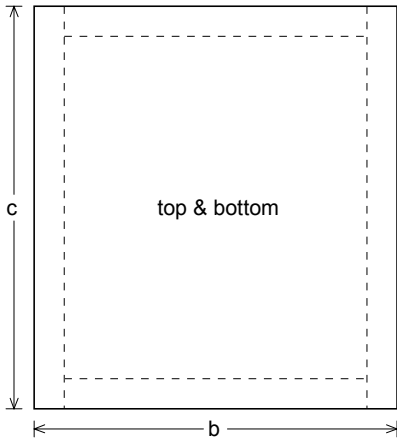
Fs = 21 Hz
Qms = 5.56
Vas = 94.9 liters
Cms = 0.55 mm/N
Mms = 105 g
Rms = 2.478 kg/s
Xmax = 12.5 mm
Xmech = 18.75 mm
P-Dia = 210.7 mm
Sd = 352 sq.cm
P-Vd = 0.436 liters

--Electrical Parameters--

Qes = 0.33
Re = 2.6 ohms
Le = 0.83 mH
Z = 4 ohms
BL = 10.5 Tm
Pe = 350 watts

--Electromech. Parameters--

Qts = 0.31
no = 0.257 %
1-W SPL = 86.24 dB
2.83-V SPL = 88 dB



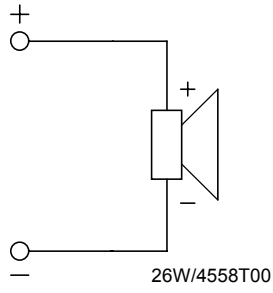
Box Parts

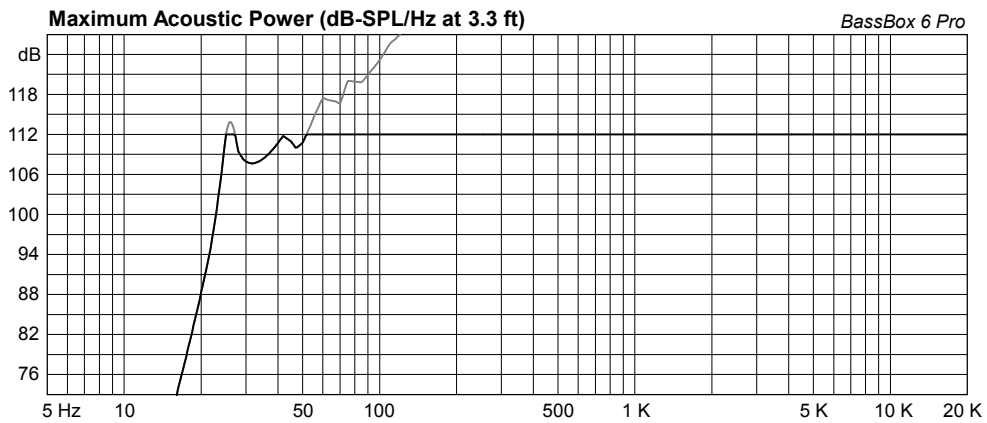
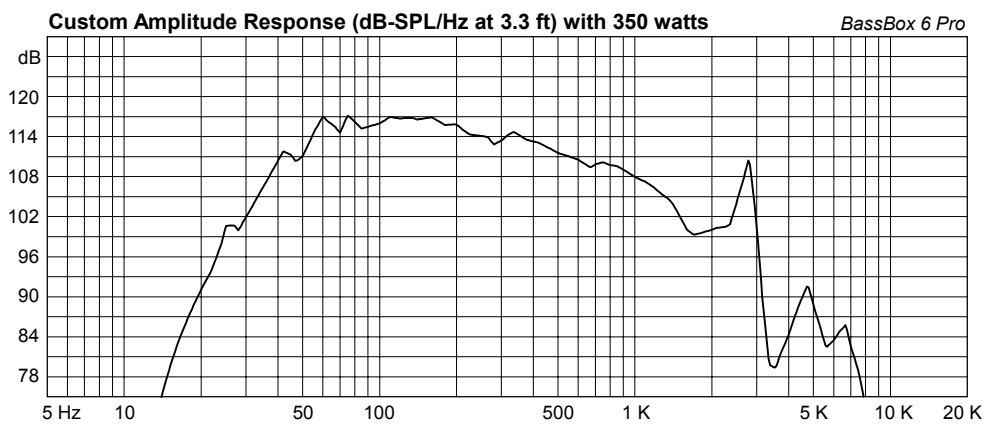
- Box Shape: Square Prism
- 1 Top, 1 Bottom: depth (c) = 13.31 in
width (b) = 12, thickness = 1 in
- 1 Front, 1 Back: height (a) = 10 in
width (d) = 10, thickness = 1 in
- 2 Sides: height (a) = 10 in
depth (c) = 13.31, thickness = 1 in

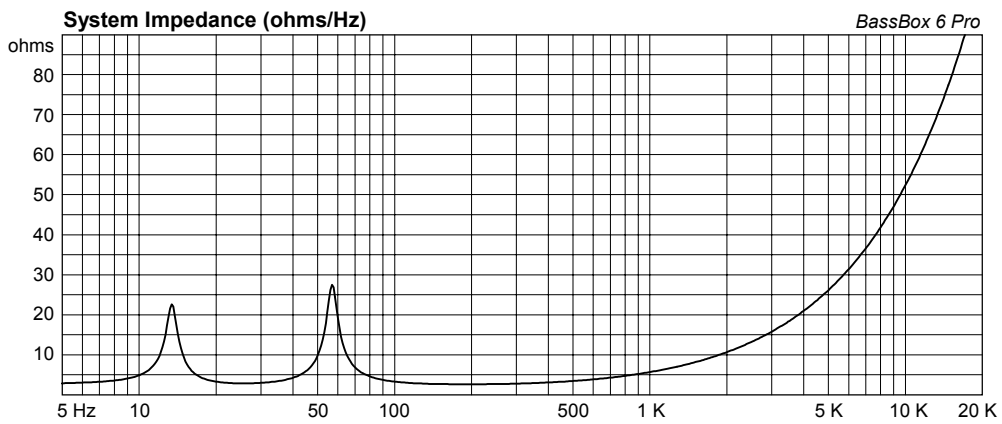
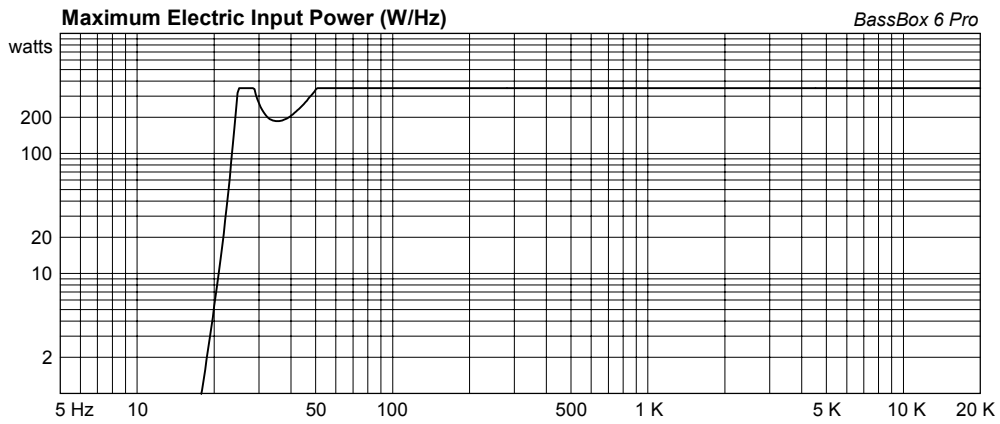
--Driver Mounting--
Mounting: Flush

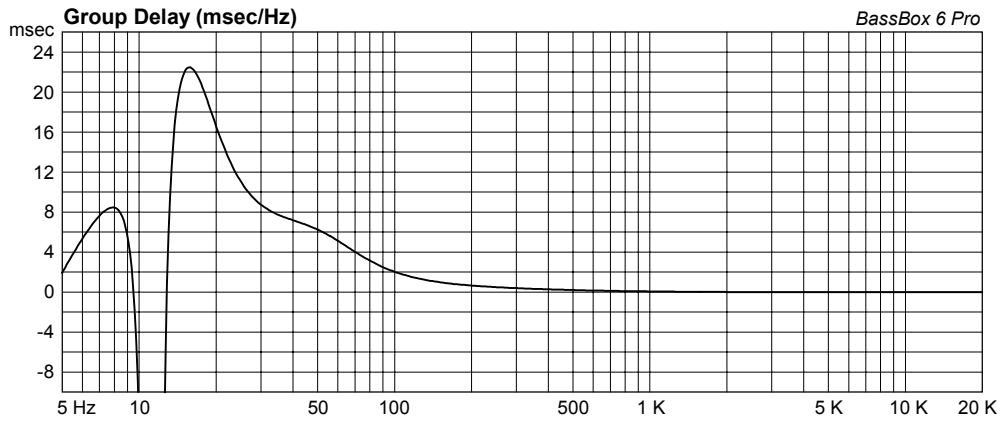
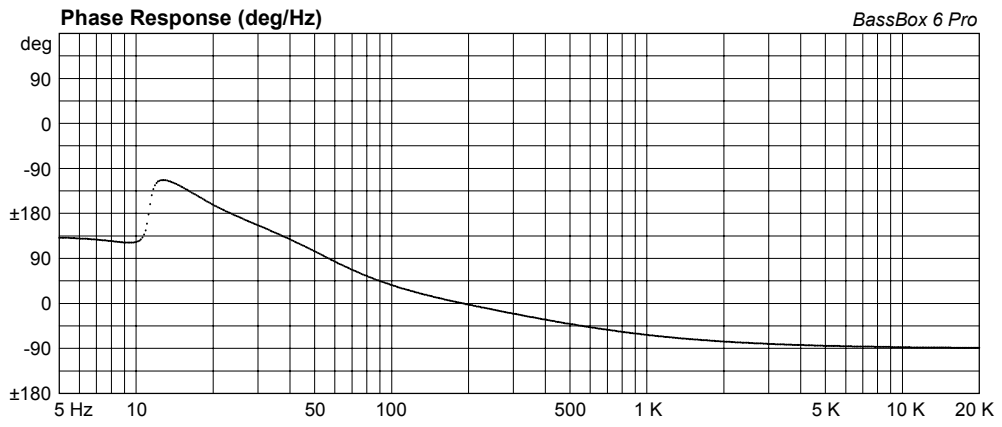


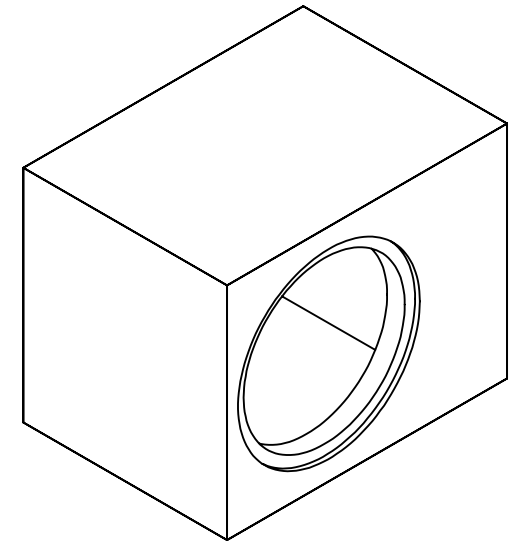
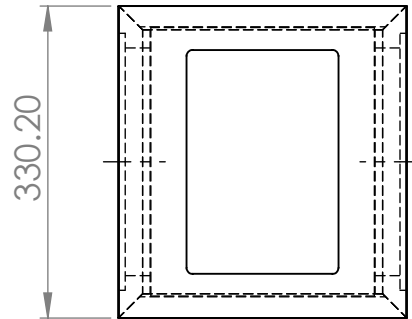
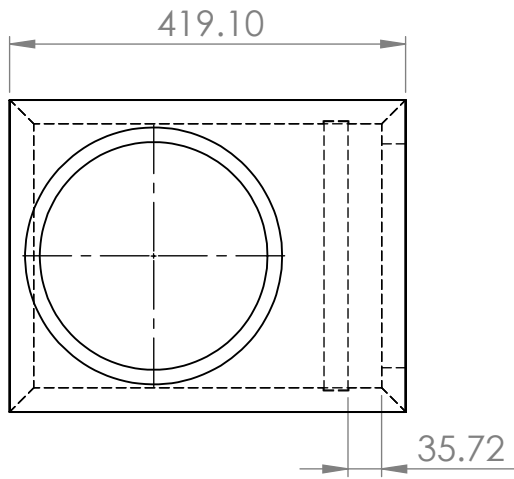
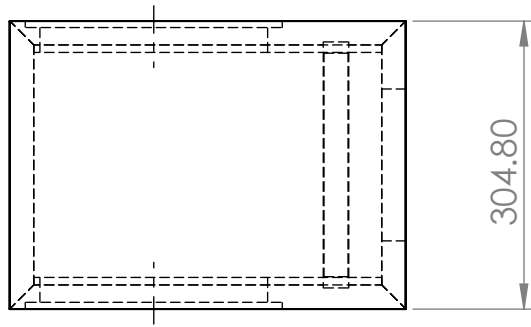
Wiring Diagram



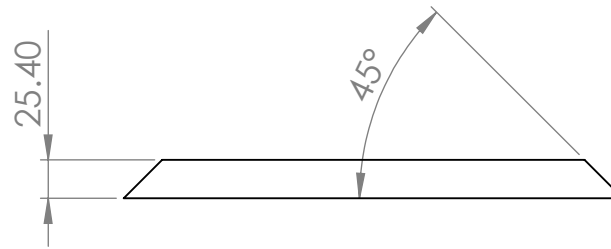
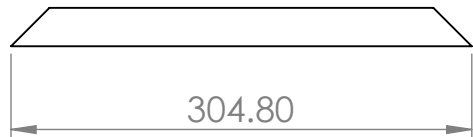
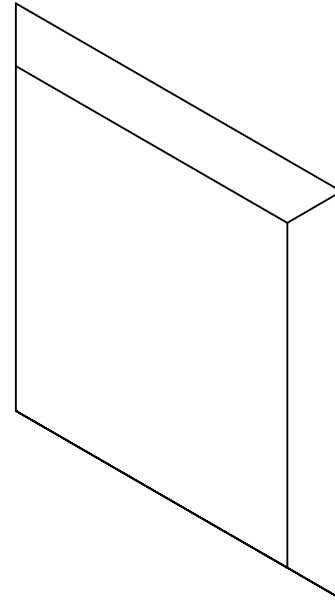
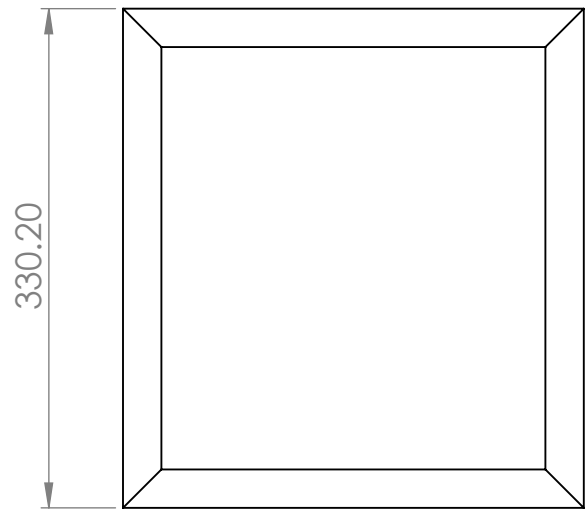


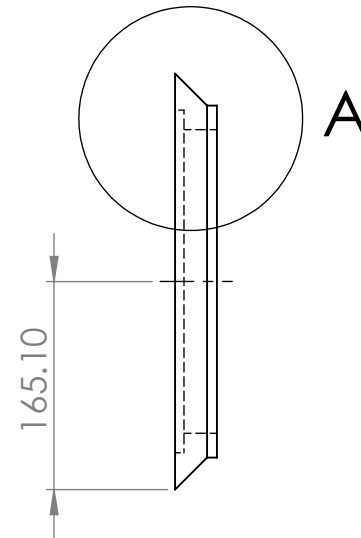
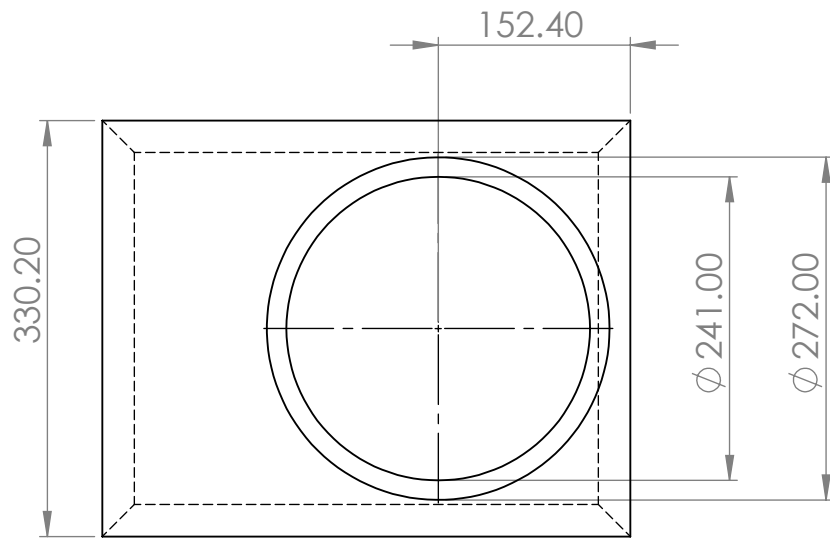
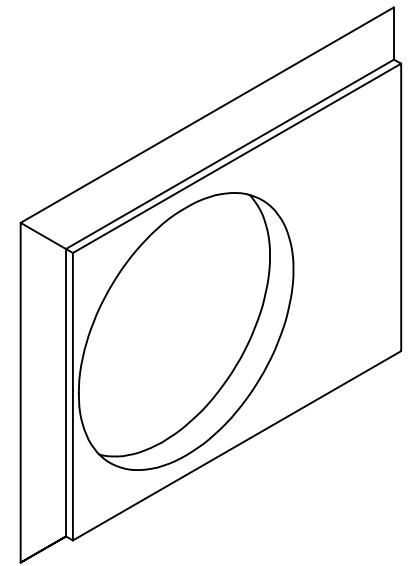
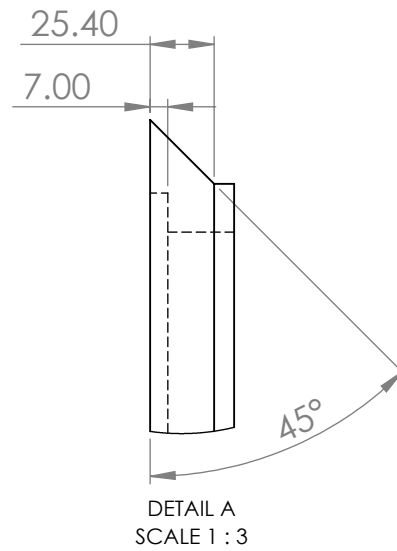
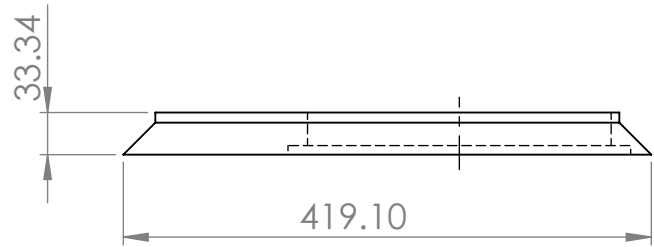


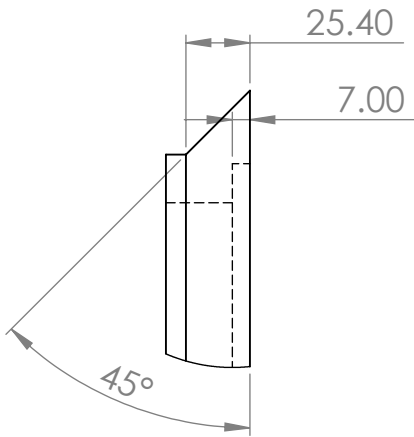




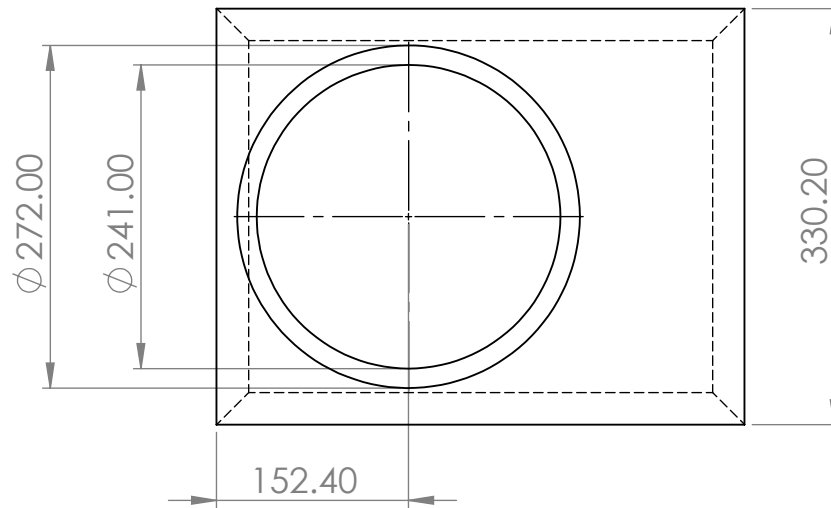
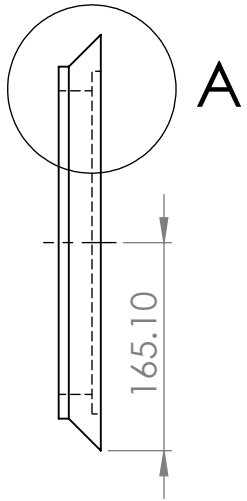
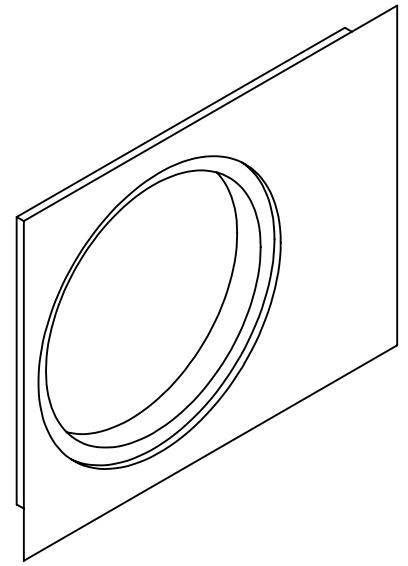
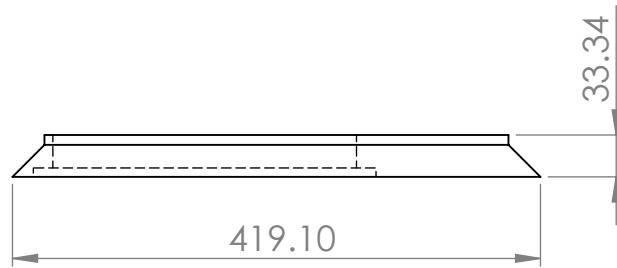
| ITEM NO. | PART NUMBER | DESCRIPTION | QTY. |
|----------|-----------------------|-------------|------|
| 1 | XXLS10 - TOP & BOTTOM | | 2 |
| 2 | XXLS10 - FRONT | | 1 |
| 3 | XXLS10 - BACK | | 1 |
| 4 | XXLS10 - LEFT | | 1 |
| 5 | XXLS10 - RIGHT | | 1 |
| 6 | XXLS10 - BRACE | | 1 |

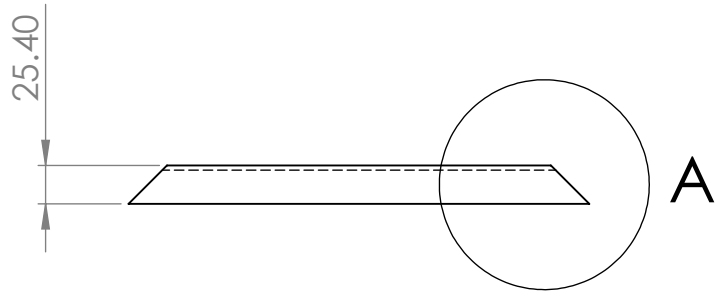
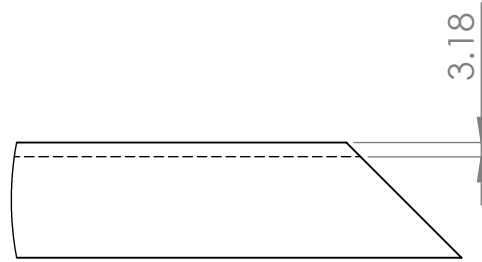
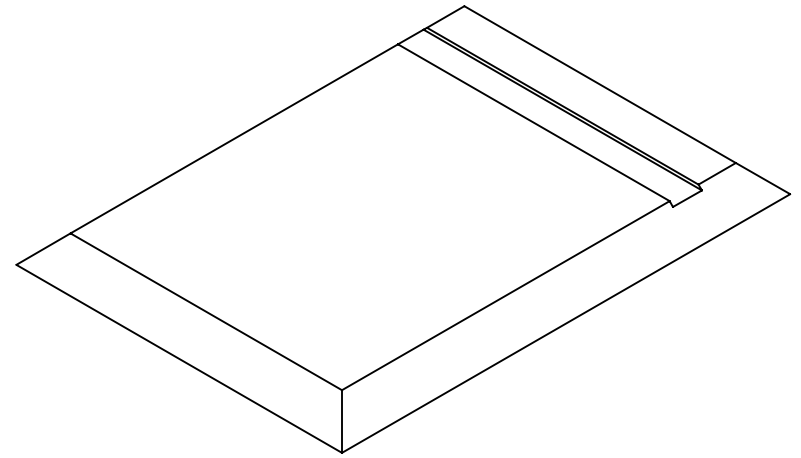
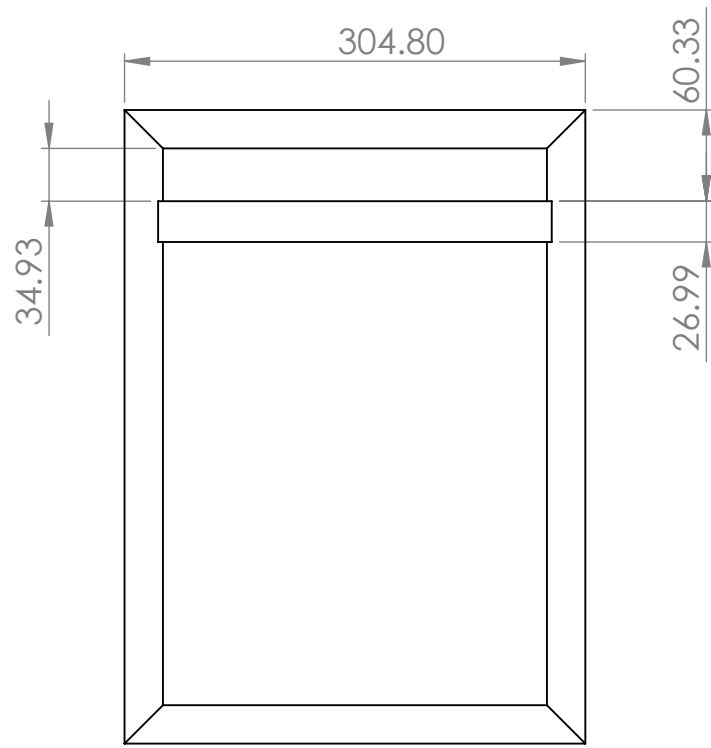






DETAIL A
SCALE 1 : 3





DETAIL A
SCALE 3 : 5

