

## Box Properties

### --Description--

Name:

Type: Passive Radiator Box

Shape: Prism, square (optimum)

### --Box Parameters--

Vb = 1.5 cu.ft

V(total) = 1.611 cu.ft

QL = 7

F3 = 32.26 Hz

Fill = normal

### --Passive Radiators--

No. of Passive Radiators = 1

Fs = 10.5 Hz

Qms = 15.2

Vas = 170 liters

Cms = 0.55 mm/N

Mms = 425 g

Rms = 1.8 kg/s

Sd = 466 sq.cm

## Driver Properties

### --Description--

Name: 30W/4558T00

Type: Standard one-way driver

Company: Scan-Speak A/S

### --Configuration--

**No. of Drivers = 1**

### --Mechanical Parameters--

Fs = 17 Hz

Qms = 5.01

Vas = 197 liters

Cms = 0.65 mm/N

Mms = 135 g

Rms = 2.875 kg/s

Xmax = 12.5 mm

Xmech = 18.75 mm

P-Dia = 242.5 mm

Sd = 466 sq.cm

P-Vd = 0.577 liters

### --Electrical Parameters--

Qes = 0.34

Re = 2.6 ohms

Le = 0.83 mH

Z = 4 ohms

BL = 10.5 Tm

Pe = 350 watts

### --Electromech. Parameters--

Qts = 0.32

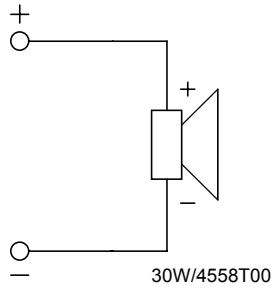
no = 0.274 %

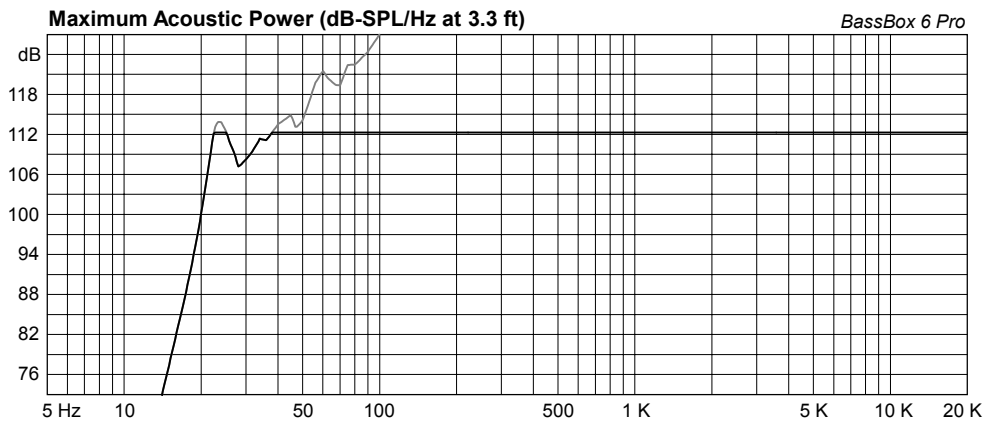
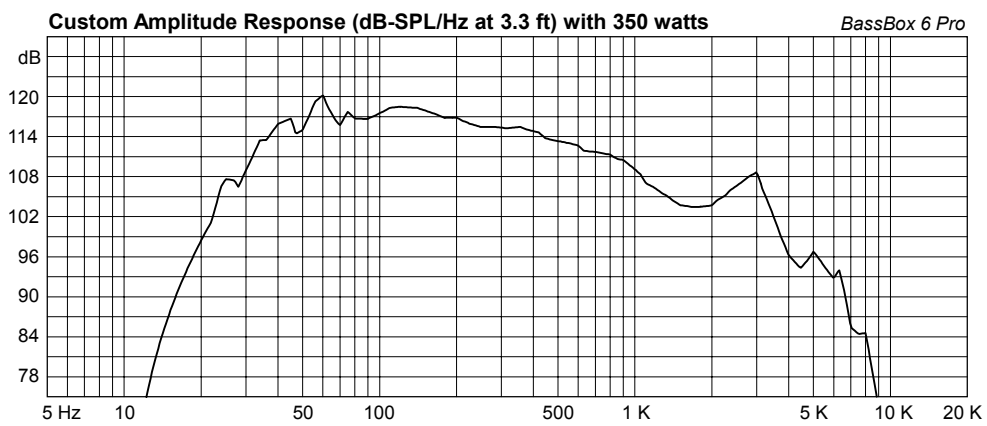
1-W SPL = 86.53 dB

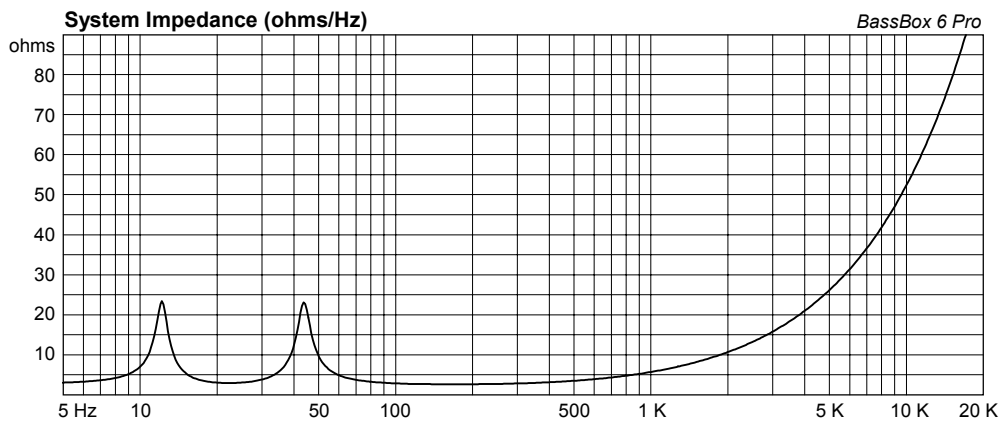
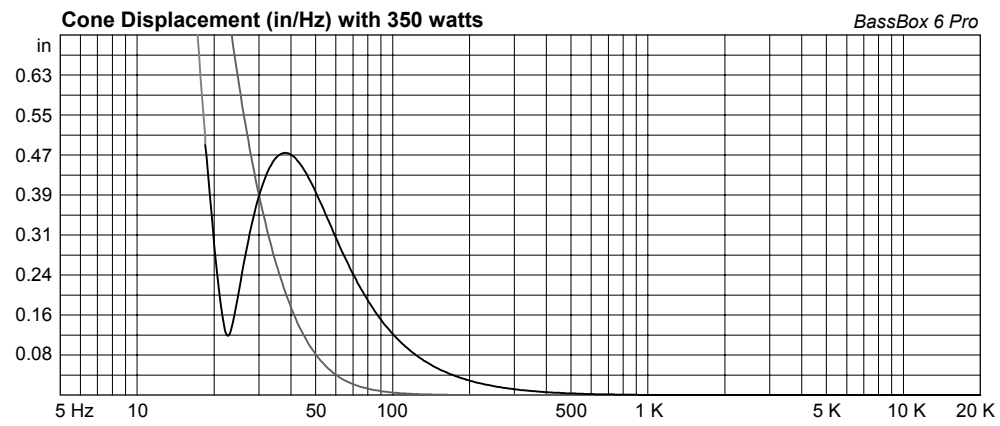
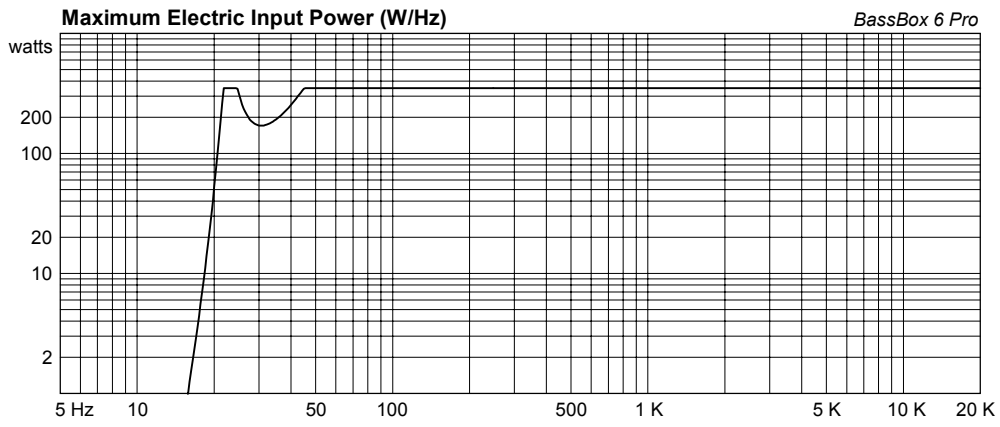
2.83-V SPL = 89 dB

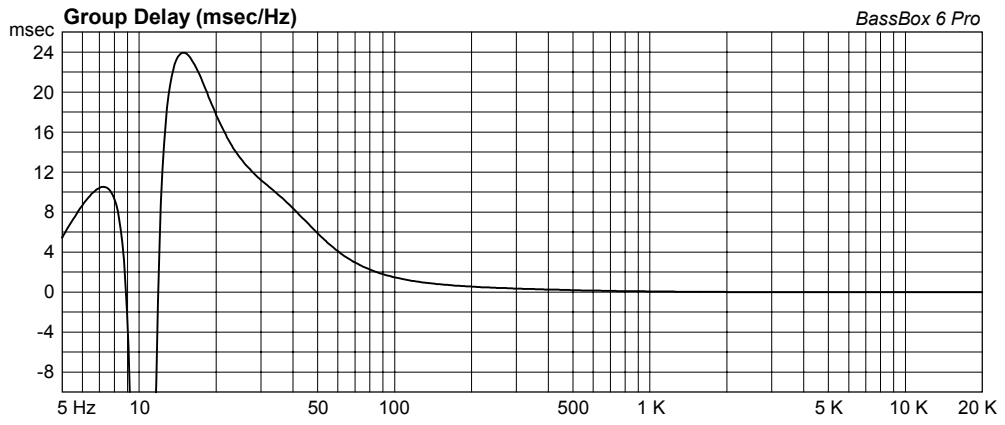
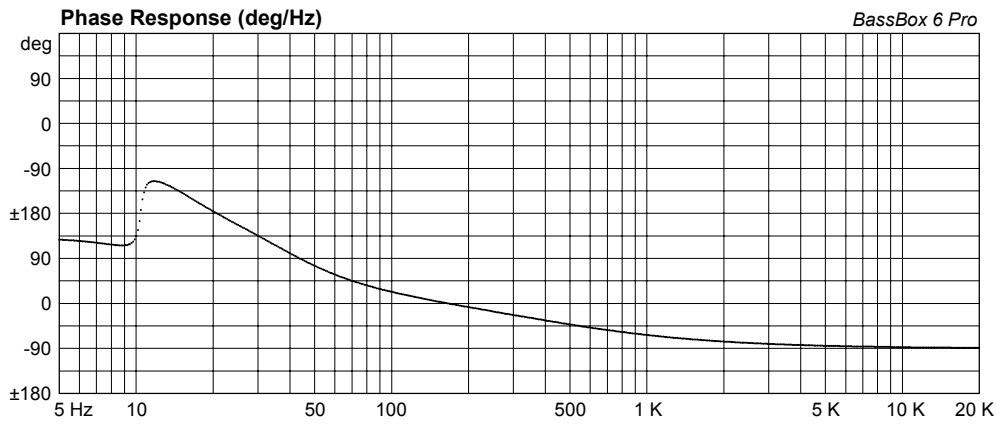


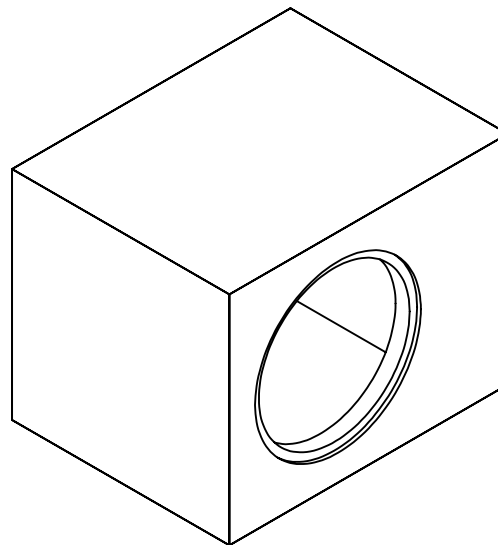
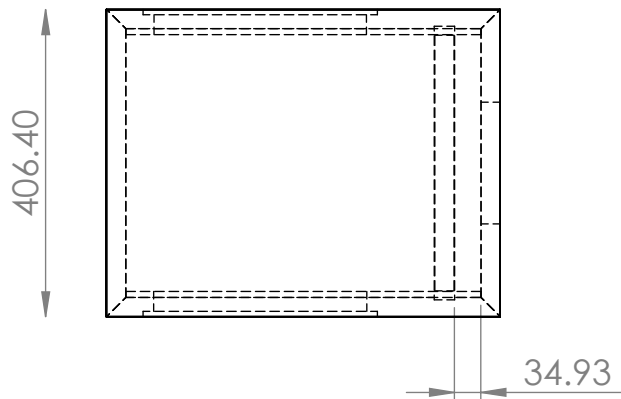
### Wiring Diagram



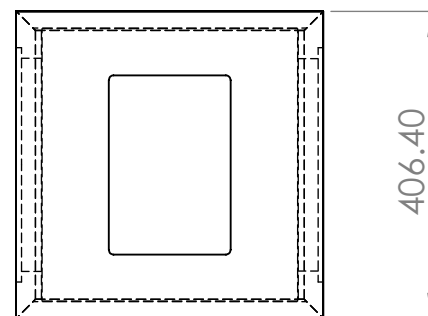
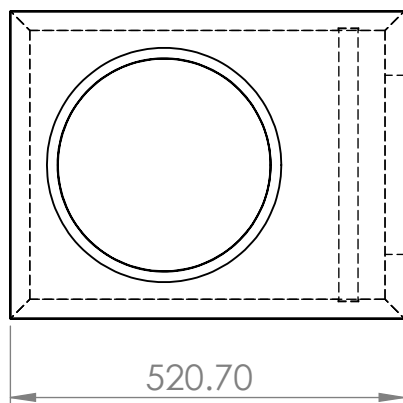


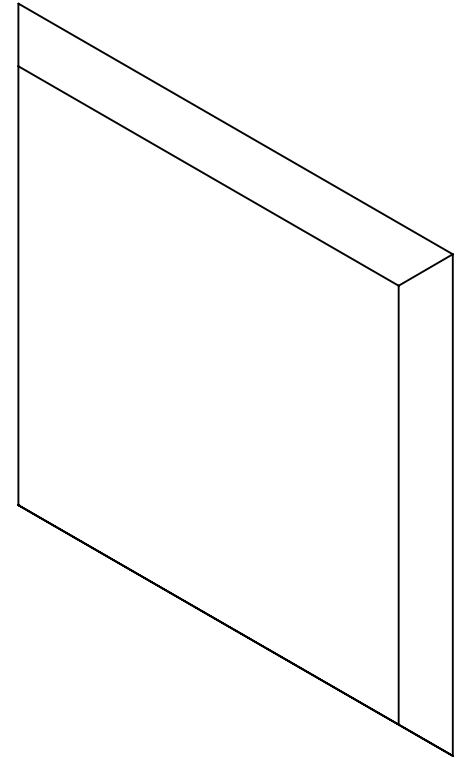
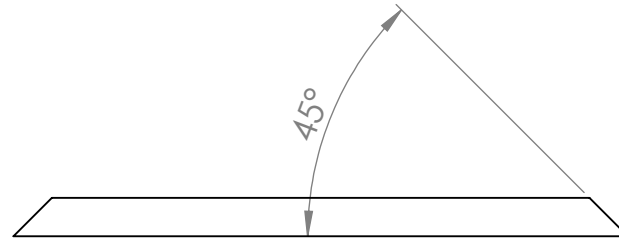
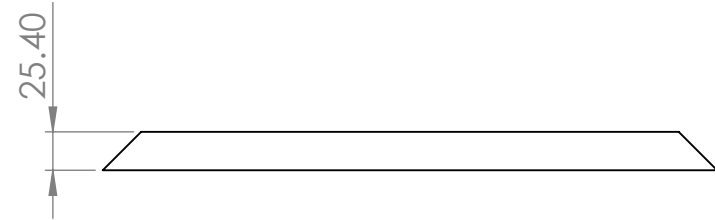
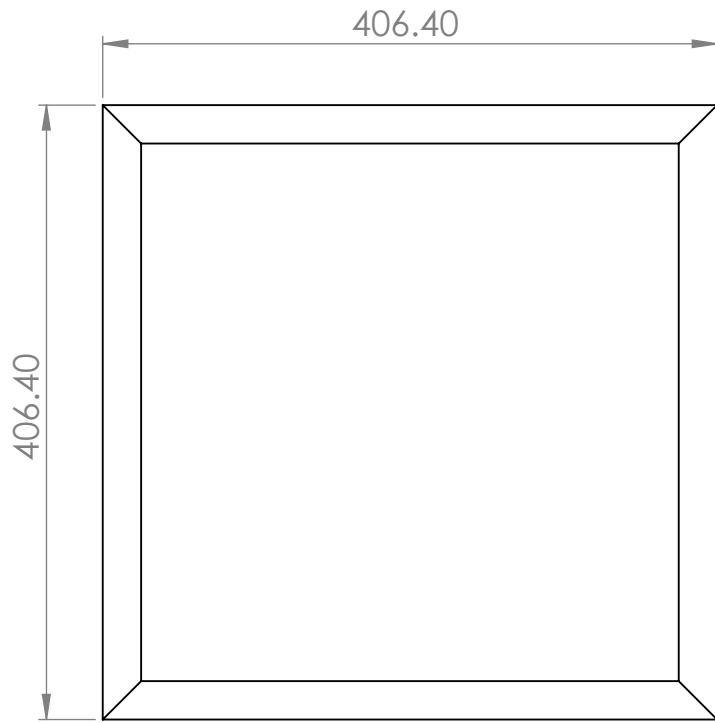


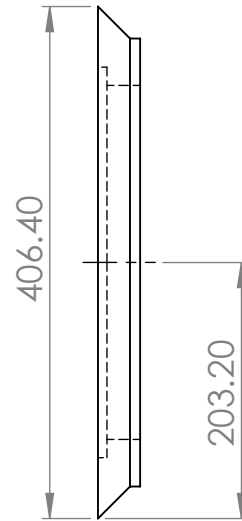
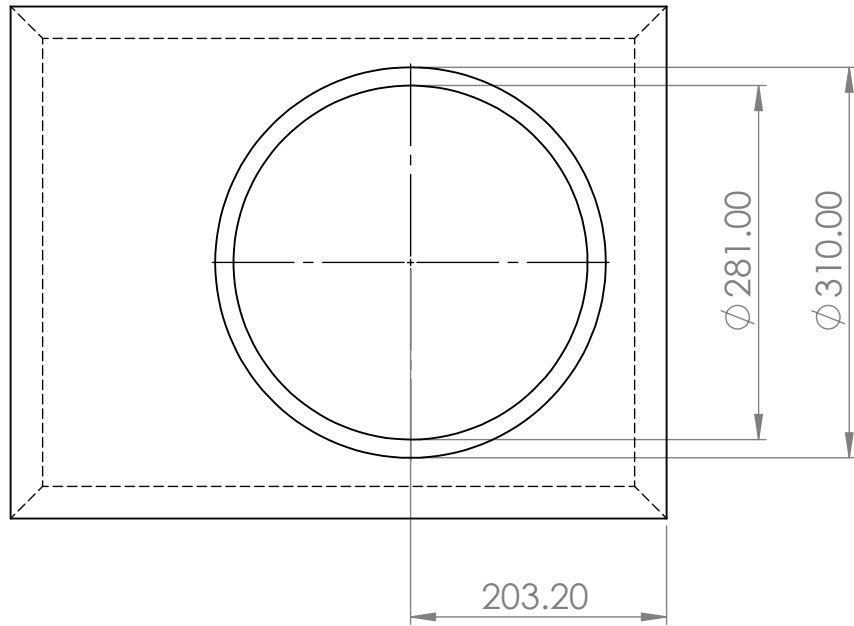
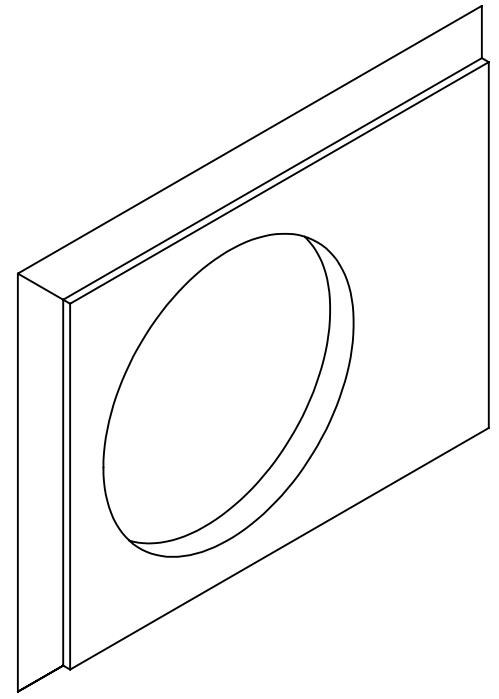
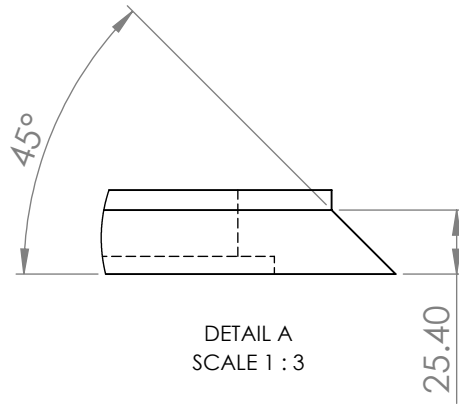
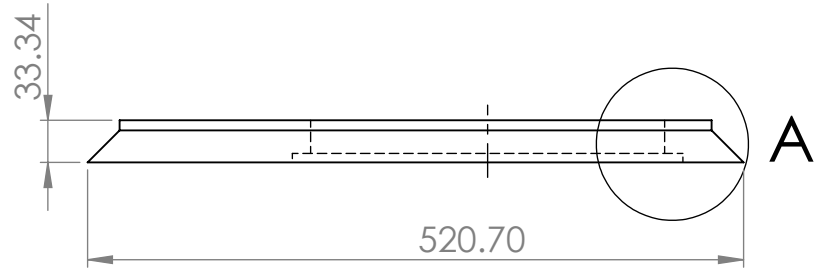




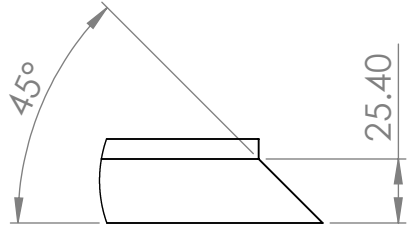
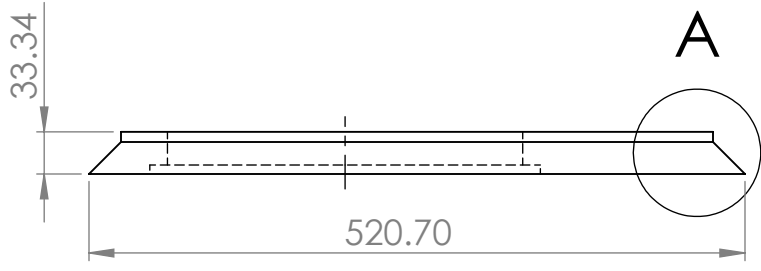
ITEM NO.	PART NUMBER	DESCRIPTION	QTY.
1	XXLS12 - Top & Bottom		2
2	XXLS12 - Front		1
3	XXLS12 - Back		1
4	XXLS12 - Left		1
5	XXLS12 - Right		1
6	XXLS12 - Brace		1



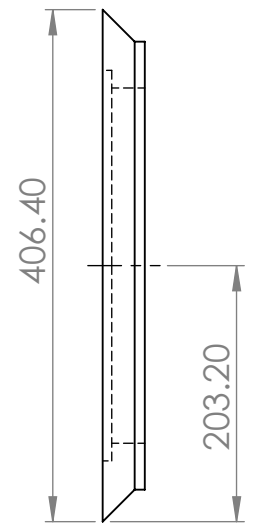
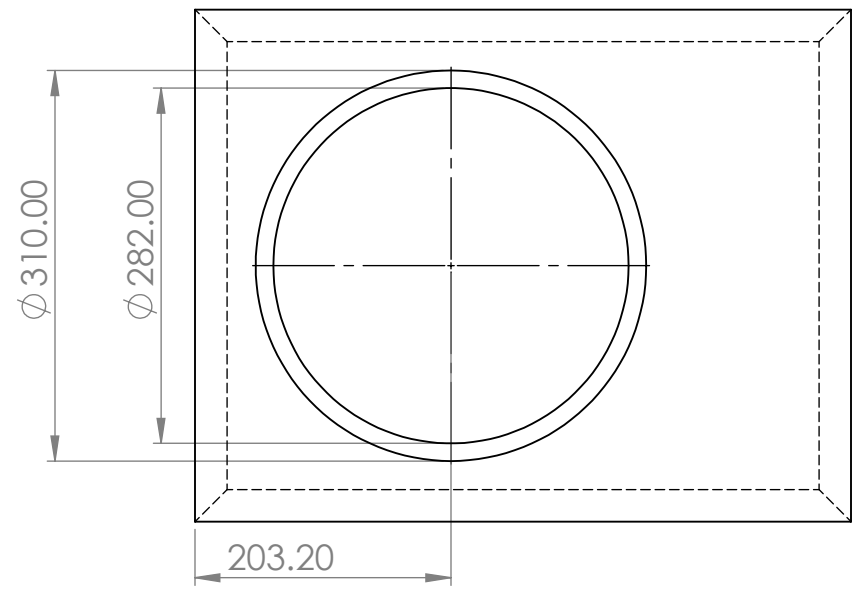
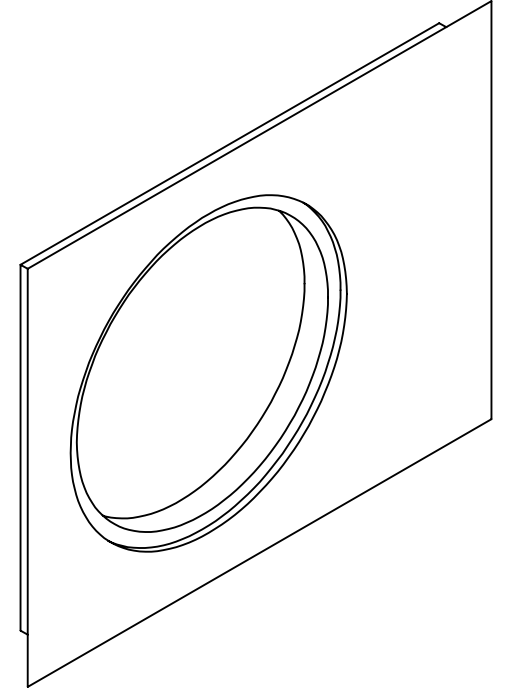


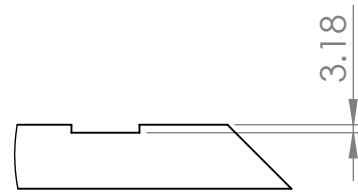
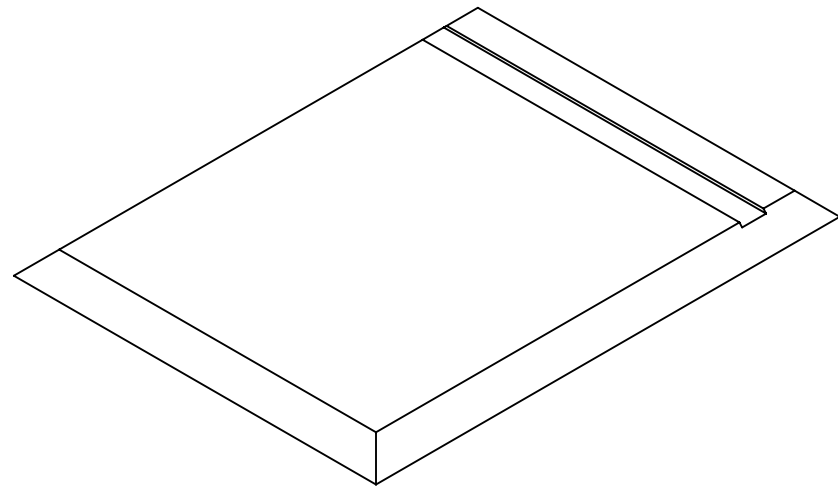
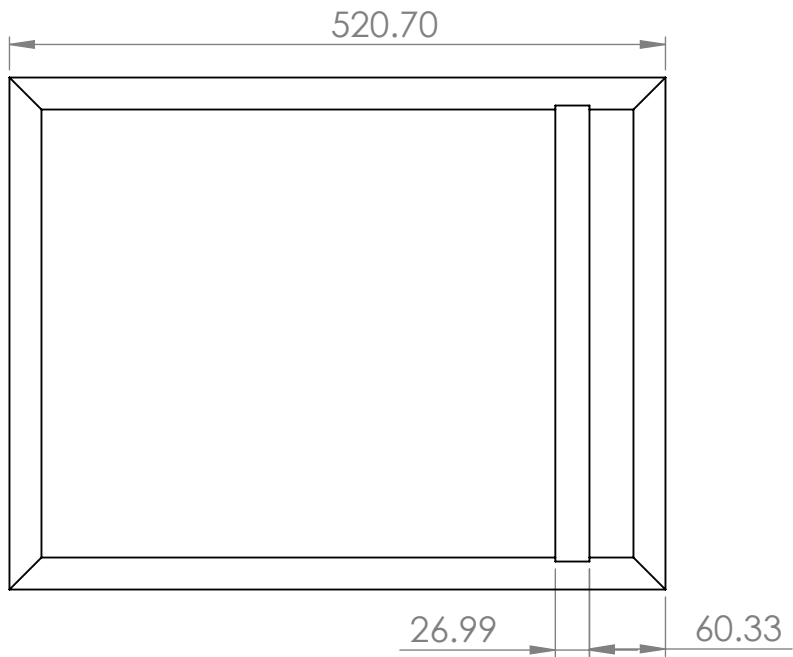






DETAIL A  
SCALE 1 : 3





DETAIL B  
SCALE 1 : 3

