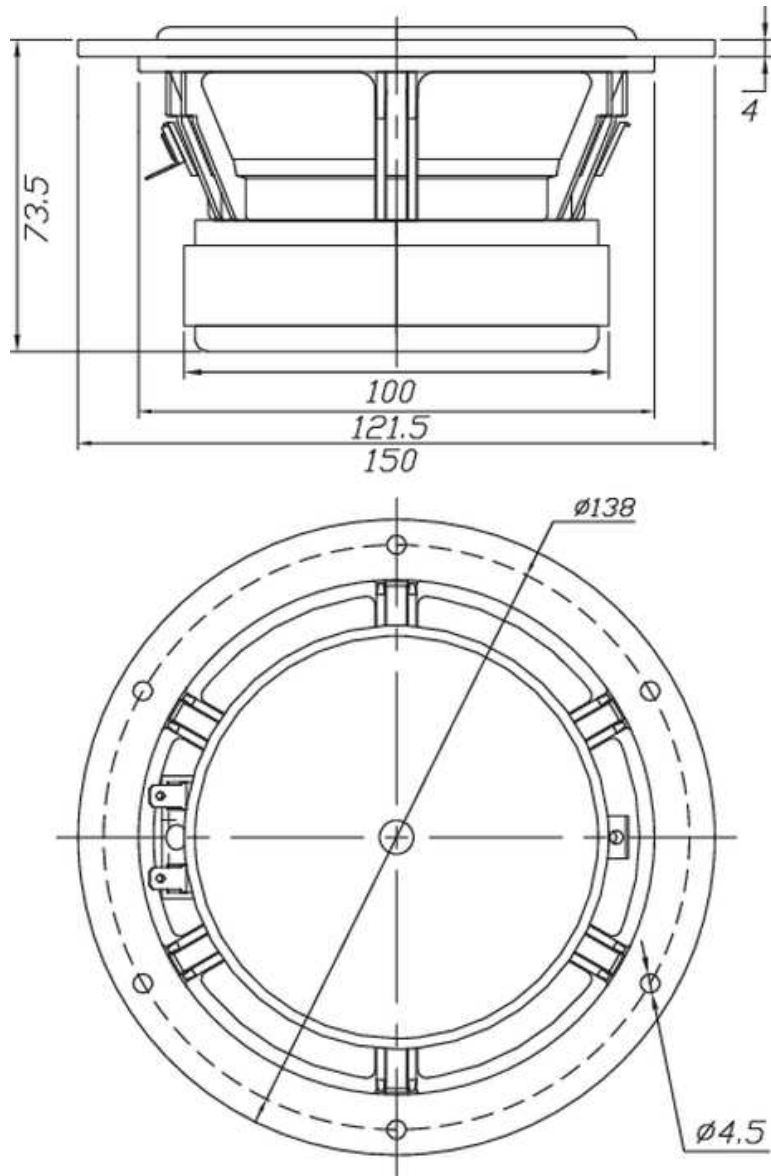




RS150P-8A 6" Reference Paper Woofer 8 Ohm

RS150P-8A



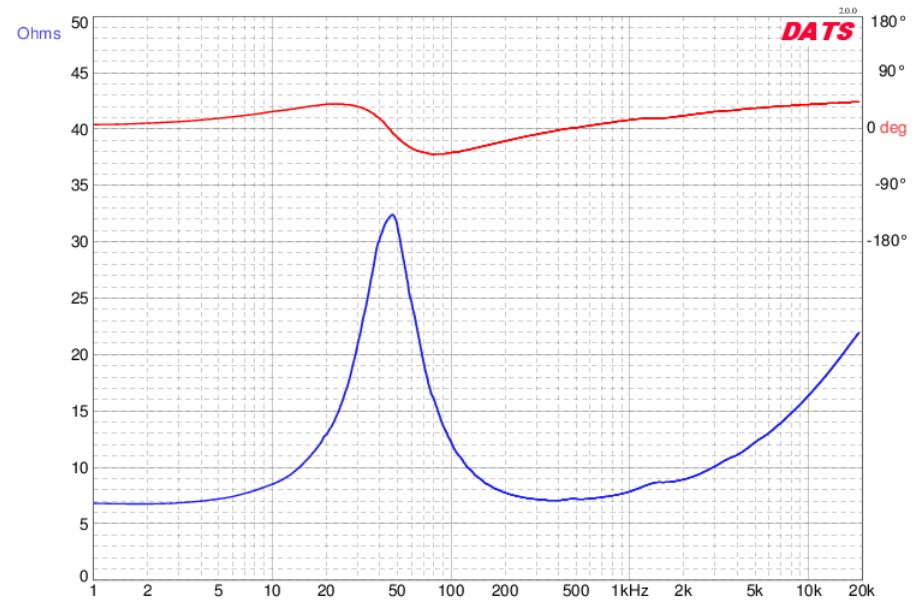
PARAMETERS

Impedance	8 ohms
Re	6.7 ohms
Le	0.65 mH @ 1 kHz
Fs	47.1 Hz
Qms	1.66
Qes	0.43
Qts	0.34
Mms	6.9g
Cms	1.65 mm/N
Sd	85.0 cm ²
Vd	34.0 cm ³
BL	5.6 Tm
Vas	16.7 liters
Xmax	4 mm
VC Diameter	25 mm
SPL	88.7 dB 2.83V/1m
RMS Power Handling	40 watts
Usable Frequency Range (Hz)	49 - 10,000 Hz

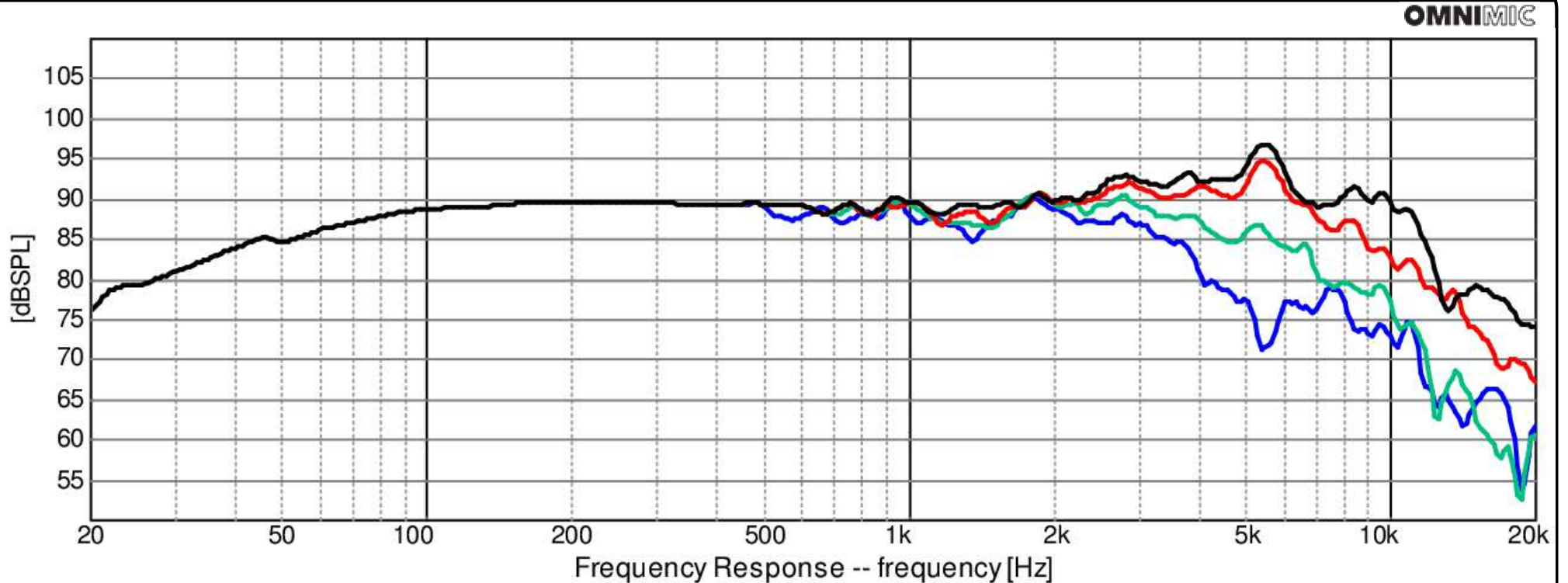
FEATURES

- Three-part paper composite diaphragm featuring paper, Kevlar, and glass fibers
- Low-distortion motor, 6-hole cast frame, rubber surround, and solid aluminum phase plug
- Perfect for use as a woofer, midwoofer, or dedicated midrange driver
- 88.7 dB sensitivity and 4 mm of excursion

IMPEDANCE/PHASE



FREQUENCY RESPONSE



OmniMic

Note: 1/24th octave smoothing - nearfield response included in graph below 450 Hz.

Black = 0°
Red = 15°
Green = 30°
Blue = 45°