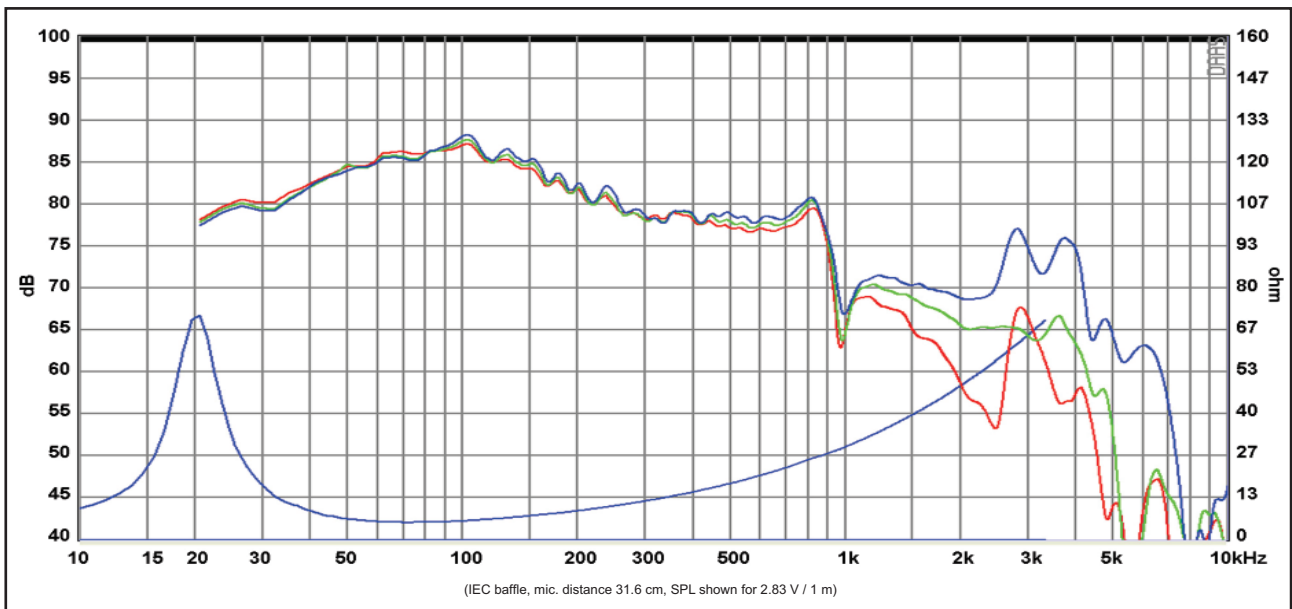
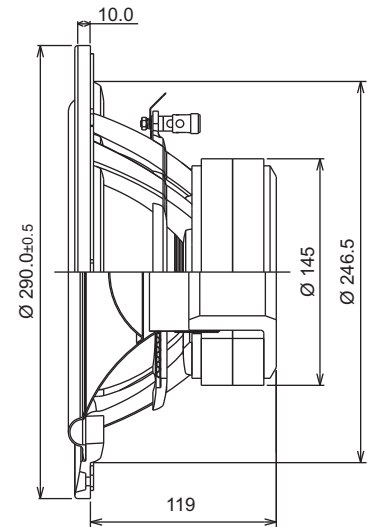
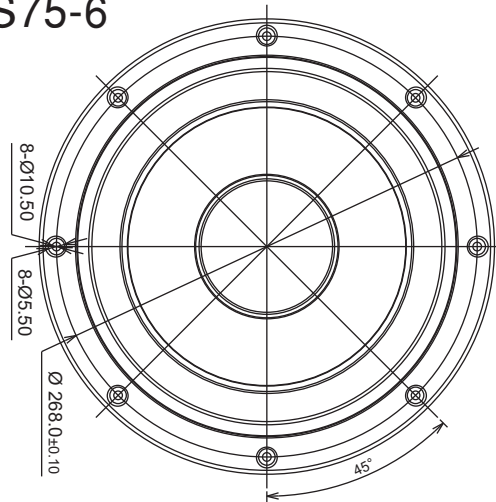


# ACOUSTICS

## 10" SB29SWNRX-S75-6



Response Curve :

— (Blue) : on axis      — (Green) : 30° off-axis      — (Red) : 60° off-axis

### Specs :

Nominal Impedance	6 Ω	Free air resonance, Fs	20 Hz
DC resistance, Re	4.5 Ω	Sensitivity (2.83 V / 1 m)	86 dB
Voice coil inductance, Le	3.0 mH	Mechanical Q-factor, Qms	4.5
Effective piston area, Sd	312 cm <sup>2</sup>	Electrical Q-factor, Qes	0.31
Voice coil diameter	75.6 mm	Total Q-factor, Qts	0.29
Voice coil height	28.5 mm	Moving mass incl.air, Mms	132 g
Air gap height	6 mm	Force factor, Bl	15.4 Tm
Linear coil travel (p-p)	22 mm	Equivalent volume, Vas	66 liters
Magnetic flux density	0.63 T	Compliance, Cms	0.48 mm/N
Magnet weight	2.1 kg	Mechanical loss, Rms	3.7 kg/s
Net weight	5.38 kg	Rated power handling*	200 W

\* IEC 268-5, T/S parameters measured on drive units that are broken in.