

SOLEN PURE SPEAKER KIT - DESCRIPTION

The Solen Pure speaker kit was designed with the goal of having a crossover with no parts in parallel. The crossover is composed of a 1st order network with some filters to get a flatter frequency response. The tonality of the Solen Pure is fairly neutral with a slight warm tendency. The small rise starting at 12kHz gives a nice airy and sparkly sound. The bass is well defined and controlled. The main strong point of the Solen Pure is the big and wide soundstage they provide when correctly positioned in the room. The sound easily goes beyond the speakers. The Solen Pure are designed to be listened to slightly off-axis (small toe-in to no toe-in depending on tonality preference).

Solen offers the detailed plans if you want to build the cabinets yourself. We also have professionally assembled and painted cabinet.



SPECIFICATIONS

- HIGH FREQUENCY DRIVER : Scanspeak D2608/9130
- LOW FREQUENCY DRIVER : Scanspeak 18W/4434G00
- FREQUENCY RESPONSE ON AXIS ($\pm 3\text{dB}$) : 50 Hz - 22 kHz
- LOW FREQUENCY EXTENSION (-10dB IN A TYPICAL ROOM): 35 Hz
- SENSITIVITY IN-ROOM (2.83V/1m): 88 dB
- IMPEDANCE : 4Ω (minimum 3.7Ω at 200Hz)
- EXTERNAL DIMENSIONS (HxWxD) : 386.5x222.5x292.05 mm ($15\frac{1}{4}\times 8\frac{3}{4}\times 11\frac{1}{2}$ in)
- RECOMMENDED AMPLIFIER POWER : 50W+ at 4Ω
- WEIGHT : 10.6 kg (23.4 lbs) each

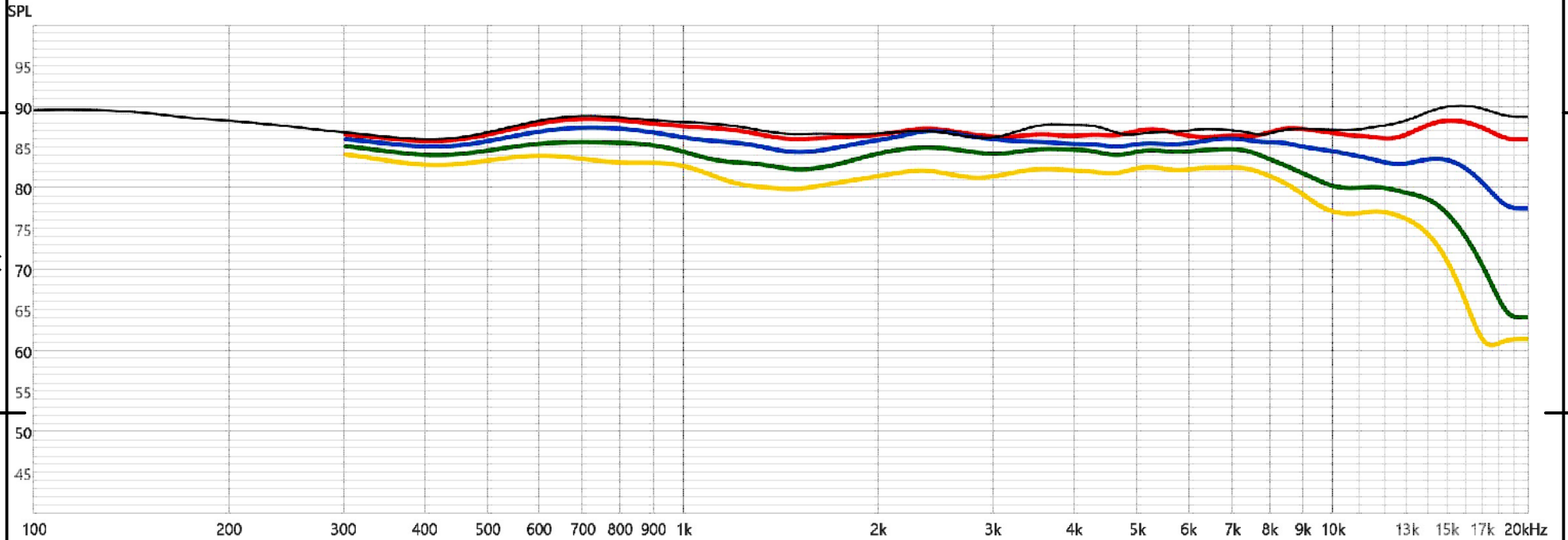
HIGHLIGHTS

- Big and wide soundstage
- Strong and controlled bass
- Smooth yet detailed sound

Designed and drawn by Laurent Tardif


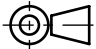
 <p>SOLEN ÉLECTRONIQUE INC. 3940 BLVD. SIR-WILFRID-LAURIER (450) 656-2759 solen@solen.ca</p>	Legal Owner: SOLEN PURE - DESCRIPTION	Projection Method:  THIRD ANGLE
	Description: SOLEN PURE - DESCRIPTION	Drawing Scale: 1:2 All Dimensions: mm [in]
	This drawing and any information or descriptive material set out on it are the confidential and copyright property of Solen Électronique INC. and MUST NOT BE DISCLOSED, COPIED, LOANED in whole or part or used for any purpose without the written permission of Solen Électronique INC.	Material: N/A
		Drawn by: LAURENT TARDIF
		Drawn Date: 2024-07-10 Sheet Size: LETTER Sheet: 1 of 17 Revision: #1

SOLEN PURE SPEAKER KIT - FREQUENCY RESPONSE

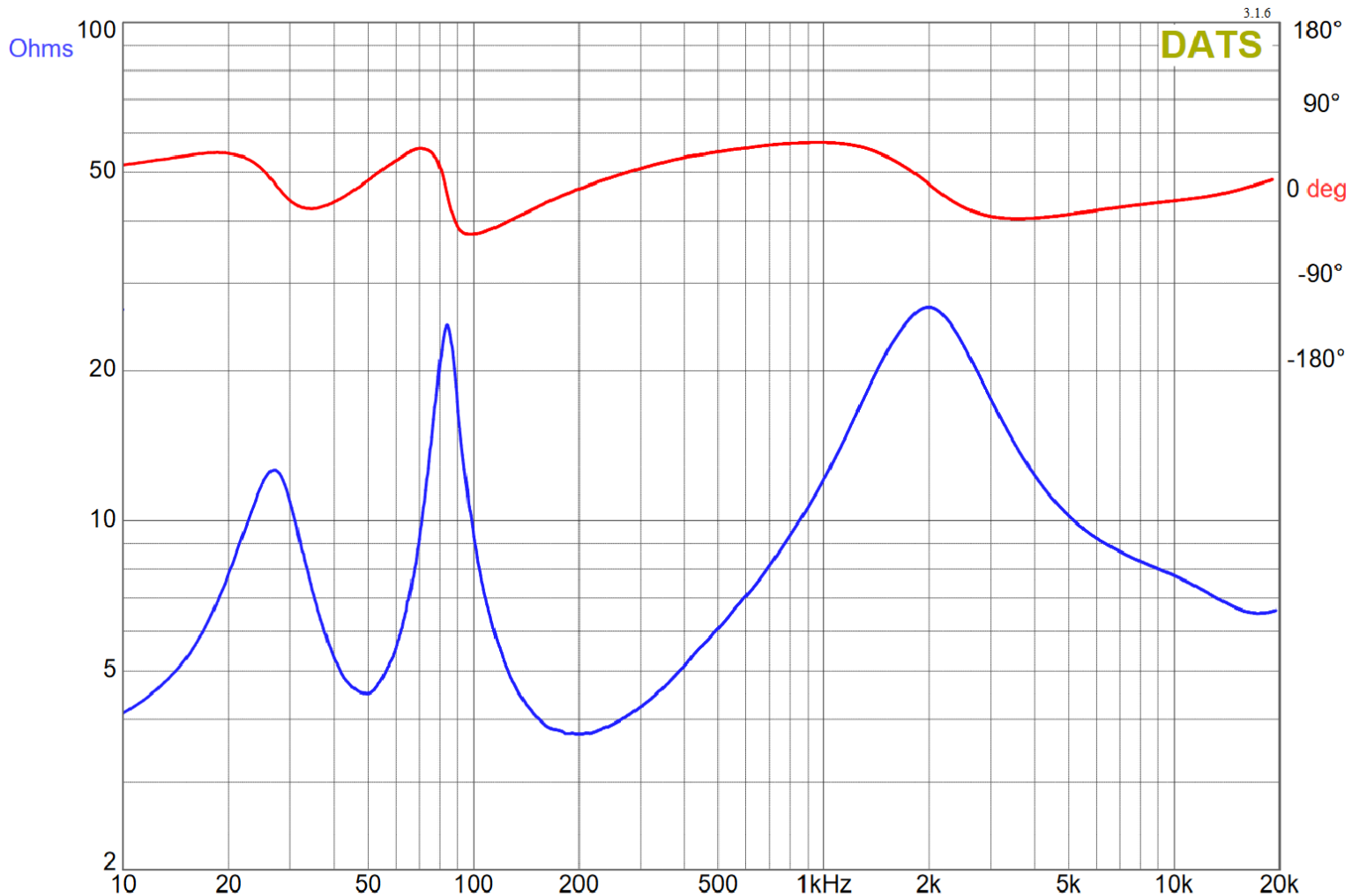




Measurements made in a heavily treated room with an Omnimic (psychoacoustic smoothing).

Curves : 0° black, 15° red, 30° blue, 45° green and 60° yellow

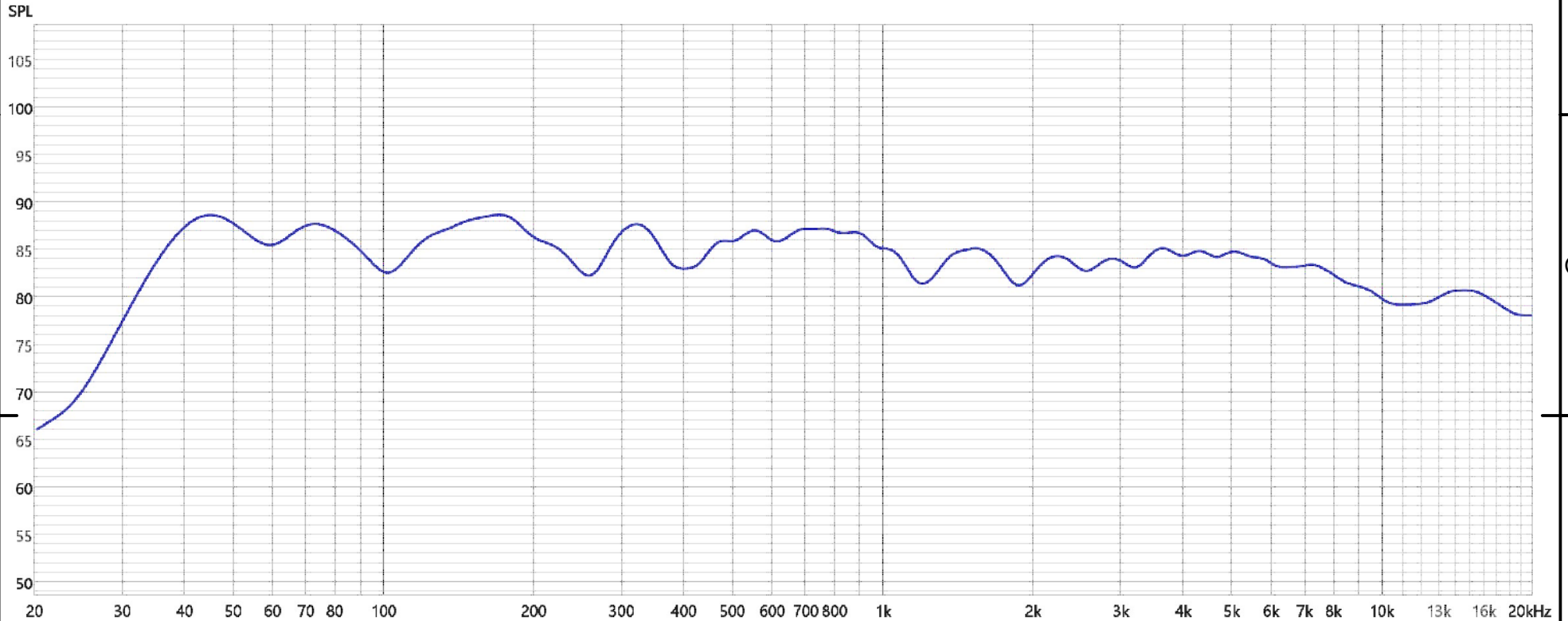
<p>Legal Owner:</p>  <p>SOLEN ÉLECTRONIQUE INC., 3940 BLVD. SIR-WILFRID-LAURIER, (450) 656-2759 solen@solen.ca</p>	<p>Description:</p> <p>SOLEN PURE - FREQUENCY RESPONSE</p>	<p>Projection Method:</p> <p>THIRD ANGLE </p>
	<p>This drawing and any information or descriptive material set out on it are the confidential and copyright property of Solen Électronique INC. and MUST NOT BE DISCLOSED, COPIED, LOANED in whole or part or used for any purpose without the written permission of Solen Électronique INC.</p>	<p>Drawing Scale: 1:2</p> <p>All Dimensions: mm [in]</p>
	<p>Material: N/A</p>	<p>Material: N/A</p>
	<p>Drawn by:</p> <p>LAURENT TARDIF</p>	<p>Drawn Date:</p> <p>2024-07-10</p>
	<p>Sheet:</p> <p>2 of 17</p>	<p>Sheet Size:</p> <p>LETTER</p> <p>Revision: #1</p>

SOLEN PURE SPEAKER KIT - IMPEDANCE CURVE



 Legal Owner: SOLEN ÉLECTRONIQUE INC., 3940 BLVD. SIR-WILFRID-LAURIER, (450) 656-2759 solen@solen.ca	Description: SOLEN PURE - IMPEDANCE CURVE	Projection Method: THIRD ANGLE 	
	This drawing and any information or descriptive material set out on it are the confidential and copyright property of Solen Électronique INC. and MUST NOT BE DISCLOSED, COPIED, LOANED in whole or part or used for any purpose without the written permission of Solen Électronique INC.	Drawing Scale: 1:2	All Dimensions: mm [in]
	Material: N/A	Drawn by: LAURENT TARDIF	
	Drawn Date: 2024-07-10	Sheet Size: LETTER	
	Sheet: 3 of 17	Revision: #1	


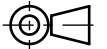
SOLEN PURE SPEAKER KIT - EXAMPLE OF IN-ROOM MEASUREMENTS (SOLEN SHOWROOM)



These measurements are an example of what the frequency response should look like in-room. The showroom at Solen is 16ft x 26ft x 10ft (4.9 x 7.9 x 3 m) (WxLxH).

It was taken at ear level, at 3.5m (10ft) of the speaker. Psychoacoustic smoothing was applied along with two PEQ filters to remove room modes from the frequency response. The speaker was positioned 0.9m (3ft) from the front wall.

Blue curve is with a slight toe-in, red curve is with more toe-in.

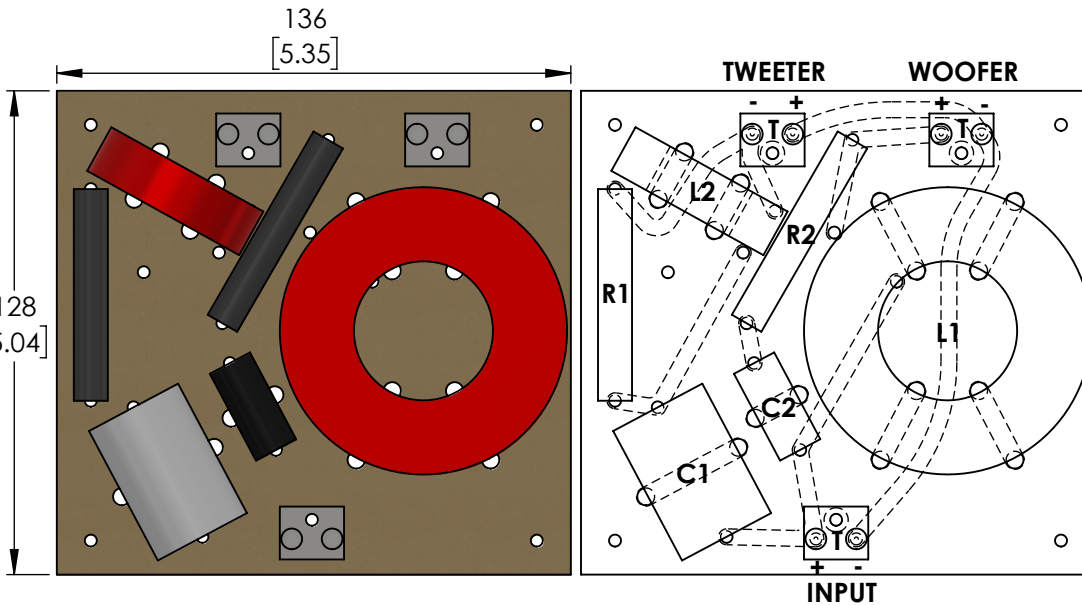
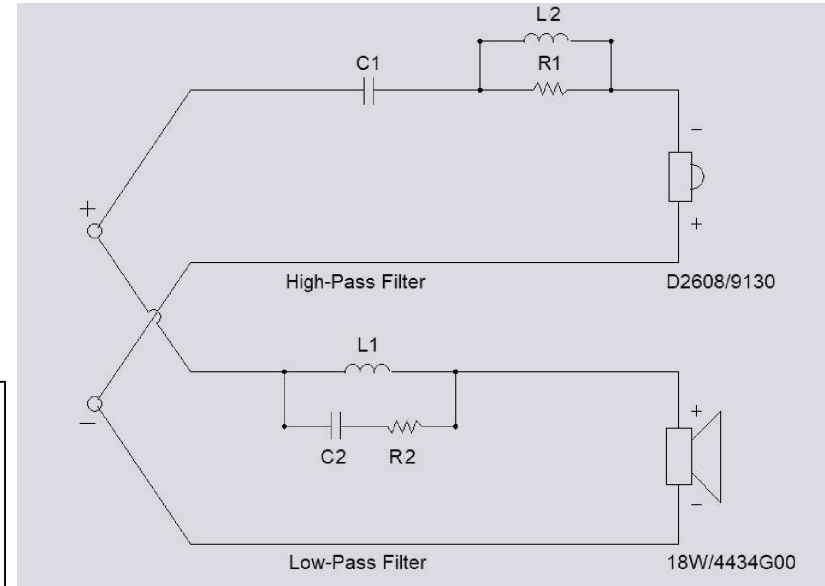
<p>Legal Owner:</p>  <p>SOLEN ÉLECTRONIQUE INC., 3940 BLVD. SIR-WILFRID-LAURIER, (450) 656-2759 solen@solen.ca</p>	<p>Description:</p> <p>SOLEN PURE - EXAMPLE OF IN-ROOM MEASUREMENTS</p>	<p>Projection Method:</p> <p>THIRD ANGLE </p>
	<p>This drawing and any information or descriptive material set out on it are the confidential and copyright property of Solen Électronique INC. and MUST NOT BE DISCLOSED, COPIED, LOANED in whole or part or used for any purpose without the written permission of Solen Électronique INC.</p>	<p>Drawing Scale: 1:2</p> <p>All Dimensions: mm [in]</p>
	<p>Material: N/A</p>	<p>Drawn by:</p> <p>LAURENT TARDIF</p>
	<p>Drawn Date:</p> <p>2024-07-10</p>	<p>Sheet Size:</p> <p>LETTER</p>
	<p>Sheet: 4 of 17</p>	<p>Revision: #1</p>

SOLEN PURE SPEAKER KIT - CROSSOVER

PURE CROSSOVER PARTS LIST


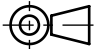
- L1 : 1.1mH (L141.1) [0.33Ω DCR]
- L2 : 0.2mH (L16.20) [0.18Ω DCR]
- C1 : 4.7μf (SA470)
- C2 : 0.56μf (PPE056)
- R1 : 2.4Ω (AOC1600J2R4)
- R2 : 6.2Ω (AOC1600J6R2)
- T : TERMINAL (322GDS)

PURE CROSSOVER SCHEMATIC



NOTES

- USE TIE WRAP(S) ON THE INDUCTOR(S) AND CAPACITOR(S) TO FIX THEM IN PLACE.
- USE HOT GLUE ON EACH END OF THE RESISTORS.
- MAKE SURE TO REMOVE THE RED ENAMEL ON THE INDUCTORS WITH AN SANDPAPER/EMERY CLOTH BEFORE SOLEDRING.
- PUT SMALL AMOUNTS OF HOT GLUE ON LOOSE WIRING IN THE PATHS UNDERNEATH THE CUSTOM HDF CROSSOVER BOARD

Legal Owner:  SOLEN ÉLECTRONIQUE INC., 3940 BLVD. SIR-WILFRID-LAURIER, (450) 656-2759 solen@solen.ca	Description: SOLEN PURE - CROSSOVER	Projection Method: THIRD ANGLE 	
	This drawing and any information or descriptive material set out on it are the confidential and copyright property of Solen Électronique INC. and MUST NOT BE DISCLOSED, COPIED, LOANED in whole or part or used for any purpose without the written permission of Solen Électronique INC.	Drawing Scale: 1:2	All Dimensions: mm [in]
		Material: N/A	
		Drawn by: LAURENT TARDIF	
		Drawn Date: 2024-07-10	Sheet Size: LETTER
	Sheet: 5 of 17	Revision: #1	

SOLEN PURE SPEAKER KIT - ASSEMBLY INSTRUCTIONS (1/2)

1. DRIVERS AND INSERTS

SCREW IN THE INSERTS (WHEN USING INSERTS) IN EVERY DRILLED HOLE FOR THE TWEETER, WOOFER AND TERMINAL.

MAKE SURE NOT TO OVERTIGHTEN THE INSERTS OR THE SCREWS INTO THE WOOD

2. CABLING

1. CUT THE FT4/16-2 TO THESE LENGTHS :

A. 2x 8" (200mm) M227-14 AWG (FOR THE TERMINAL)

B. 2x 12" (305mm) M227-14 AWG (FOR THE WOOFER)

C. 2x 18" (455mm) M227-16 AWG (FOR THE TWEETER)

2. INSTALL THE SPEAKER CONNECTORS ON THE CABLES :

A. WOOFER CABLE : RED=GFD205-1614R // BLACK=GFD110-1614B

B. TWEETER CABLE : RED=GFD110-1614R // BLACK=GFD110-1614B

C. TERMINAL CABLE : RED=GRT5/16-1210R // BLACK=GRT5/16-1210B

(ONE END OF THE CABLES HAS NO CONNECTORS AS THEY GO IN THE TERMINALS (322GDS) ON THE CROSSOVER BOARD)

3. GASKET

APPLY THE GASKET (SCE41BSC) ON THE UNDER SIDE OF THE TWEETER AND WOOFER FRAME. MAKE SURE NOT TO COVER THE SCREW HOLES.



ALTERNATIVELY YOU CAN APPLY THE GASKET ON THE CABINET ITSELF.

SCREWS & INSERTS

- OXSOCKET8X1 (28x) FOR TWEETER, WOOFER AND TERMINAL

- 6X3/4P (8x) ARE USED TO FIX THE CROSSOVER INSIDE THE ENCLOSURE

*THE FLAT PACK COMES WITH INSERTS AND BOLTS INSTEAD OF SCREWS

Legal Owner:  SOLEN ÉLECTRONIQUE INC., 3940 BLVD. SIR-WILFRID-LAURIER, (450) 656-2759 solen@solen.ca	Description: SOLEN PURE - ASSEMBLY INSTRUCTIONS (1/2)	Projection Method: THIRD ANGLE 	
	This drawing and any information or descriptive material set out on it are the confidential and copyright property of Solen Électronique INC. and MUST NOT BE DISCLOSED, COPIED, LOANED in whole or part or used for any purpose without the written permission of Solen Électronique INC.	Drawing Scale: 1:2	All Dimensions: mm [in]
		Material: N/A	
		Drawn by: LAURENT TARDIF	
		Drawn Date: 2024-07-10	Sheet Size: LETTER
	Sheet: 6 of 17	Revision: #1	

SOLEN PURE SPEAKER KIT - ASSEMBLY INSTRUCTIONS (2/2)



4. DAMPING MATERIAL

****THIS STEP HAS ALREADY BEEN DONE IF YOU BOUGHT THE ASSEMBLED CABINET****

1. APPLY THE DAMPING PAD INSIDE THE ENCLOSURE AS SHOWN ON THE "DAMPING MATERIAL" PAGE. YOU CAN USE A ROLLER TO APPLY PRESSURE TO MAKE SURE IT IS GLUED CORRECTLY. IT IS RECOMMENDED TO USE STAPLES TO MAKE SURE THE PADS DON'T COME OFF.
2. INSTALL THE RECYCLED FELT (FLEX-XEL-S-125) IN THE CABINET AS SHOWN ON THE "DAMPING MATERIAL" PAGE. IT IS RECOMMENDED TO USE STAPLES TO MAKE SURE IT DOESN'T MOVE AROUND.

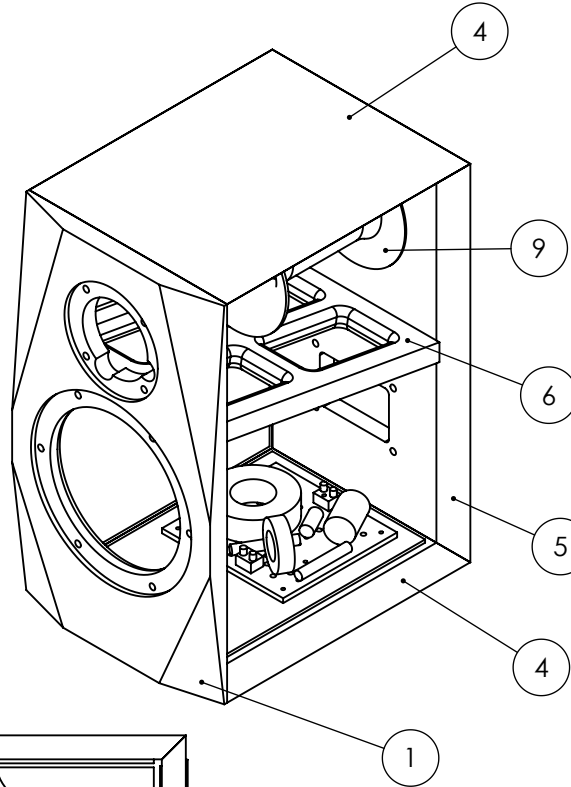
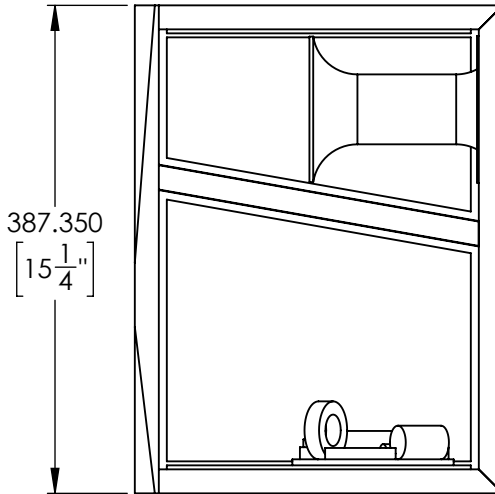
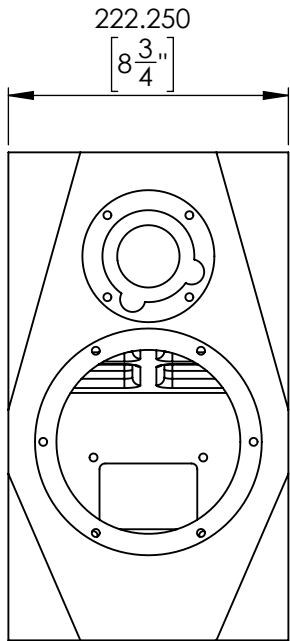
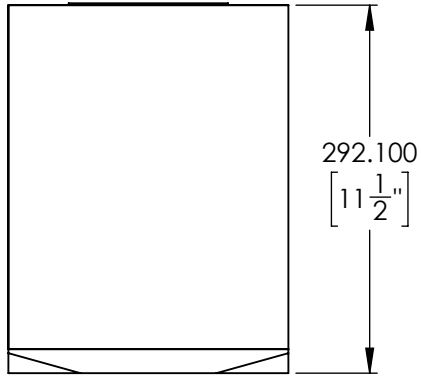
5. INSTALLING THE PARTS


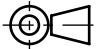
1. CONNECT ALL THE CABLES ON THEIR RESPECTIVE TERMINALS ON THE CROSSOVER BOARD;
2. SCREW THE CROSSOVER BOARD INSIDE ON THE BOTTOM OF THE CABINET (USING THE 6X3/4). DON'T OVERTIGHTEN THEM.
3. CONNECT THE TWEETER AND SCREW IT IN PLACE (USING THE OXSOCKET8X1);
4. USE A TIE-WRAP TO FIX THE TWEETER CABLE ON THE PORT SO THAT IT DOESN'T MOVE AROUND (THIS STEP IS OPTIONNAL, BUT RECOMMENDED);
5. CONNECT THE WOOFER AND SCREW IT IN PLACE (USING THE OXSOCKET8X1);
6. CONNECT THE TERMINAL CONNECTORS AND SCREW IT IN PLACE (USING THE OXSOCKET8X1);
7. INSTALL THE PORT (PRESS FIT) IN THE OPENING AT THE BACK (BEHIND THE TWEETER). YOU CAN APPLY ELECTRICAL TAPE AROUND THE PORT TO HAVE A TIGHTER FIT AND SEAL IT PROPERLY;

 <p>SOLEN ÉLECTRONIQUE INC. 3940 BLVD. SIR-WILFRID-LAURIER (450) 656-2759 solen@solen.ca</p>	Legal Owner: Description: SOLEN PURE - ASSEMBLY INSTRUCTIONS (2/2)	Projection Method: THIRD ANGLE 	
	This drawing and any information or descriptive material set out on it are the confidential and copyright property of Solen Électronique INC. and MUST NOT BE DISCLOSED, COPIED, LOANED in whole or part or used for any purpose without the written permission of Solen Électronique INC.	Drawing Scale: 1:2	All Dimensions: mm [in]
		Material: N/A	
		Drawn by: LAURENT TARDIF	
		Drawn Date: 2024-07-10	Sheet Size: LETTER
	Sheet: 7 of 17	Revision: #1	

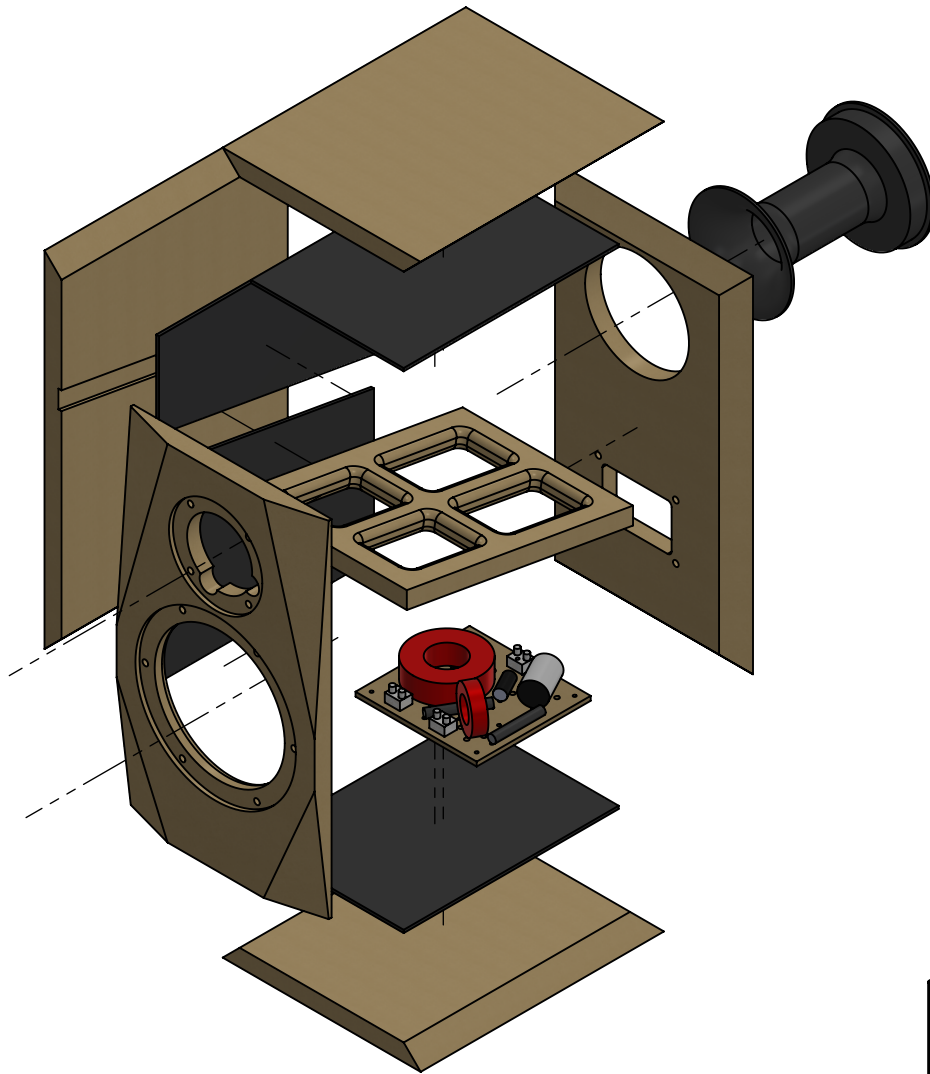
SOLEN PURE SPEAKER KIT - ENCLOSURE PLANS

ITEM NO.	PART NUMBER	QTY.
1	FRONT	1
2	LEFT SIDE	1
3	RIGHT SIDE	1
4	TOP & BOTTOM	2
5	BACK	1
6	BRACE	1



<p>Legal Owner:</p>  <p>SOLEN ÉLECTRONIQUE INC. 3940 BLVD. SIR-WILFRID-LAURIER, (450) 656-2759 solen@solen.ca</p>	<p>Description:</p> <p>SOLEN PURE FLAT PACK - ASSEMBLY</p>	<p>Projection Method:</p> <p>THIRD ANGLE </p>
	<p>This drawing and any information or descriptive material set out on it are the confidential and copyright property of Solen Électronique INC. and MUST NOT BE DISCLOSED, COPIED, LOANED in whole or part or used for any purpose without the written permission of Solen Électronique INC.</p>	<p>Drawing Scale: 1:6</p> <p>All Dimensions: mm [in]</p>
	<p>Material: N/A</p>	<p>Material: N/A</p>
	<p>Drawn by:</p> <p>LAURENT TARDIF</p>	<p>Drawn Date:</p> <p>2024-07-09</p>
	<p>Sheet: 8 of 17</p>	<p>Sheet Size:</p> <p>LETTER</p> <p>Revision: #1</p>

SOLEN PURE SPEAKER KIT - DAMPING MATERIAL



IT IS RECOMMENDED TO HAVE DAMPING PAD INSIDE THE ENCLOSURE TO REDUCE PANEL VIBRATION.



IT IS ALSO RECOMMENDED TO APPLY THE DAMPING PAD BEFORE ASSEMBLING THE ENCLOSURE.

DAMPING PAD SHOULD BE PLACED :

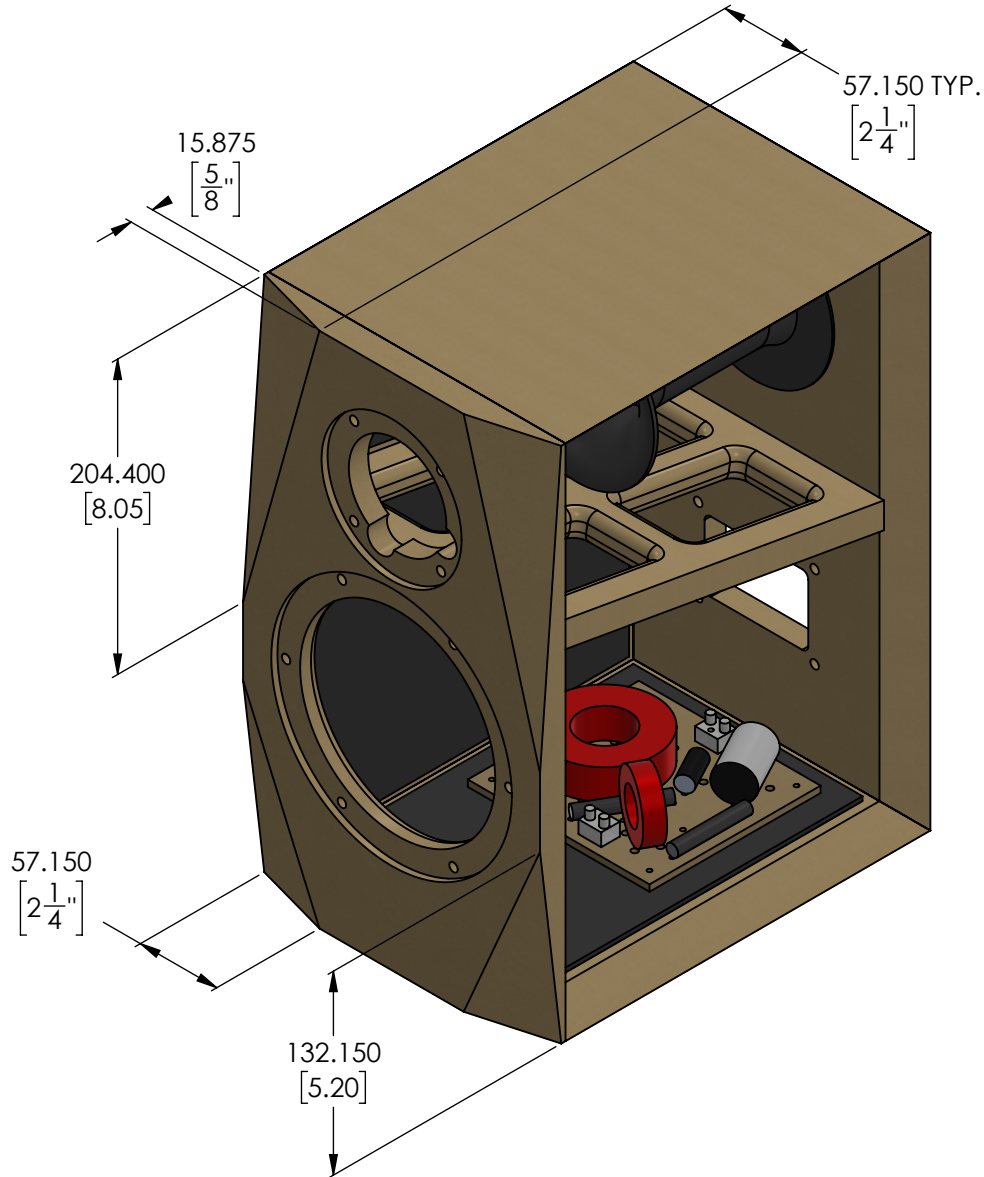
- ON THE SIDES OVER AND UNDER THE BRACE
- ON THE TOP AND BOTTOM

FLEX-XEL S-125 (RECYCLED FELT) SHOULD BE PLACED :

- ON THE SIDES UNDER THE BRACE
- UNDER THE BRACE (SO THAT IS COVERS ALL THE BRACE OPENINGS)
- A U-SHAPED PIECE THAT GOES OVER THE PORT (LEFT SIDE - TOP - RIGHT SIDE)



 <p>SOLEN ÉLECTRONIQUE INC. 3940 BLVD. SIR-WILFRID-LAURIER, (450) 656-2759 solen@solen.ca</p>	Legal Owner: Description: SOLEN PURE FLAT PACK - DAMPING MATERIAL	Projection Method: THIRD ANGLE 	
	This drawing and any information or descriptive material set out on it are the confidential and copyright property of Solen Électronique INC. and MUST NOT BE DISCLOSED, COPIED, LOANED in whole or part or used for any purpose without the written permission of Solen Électronique INC.	Drawing Scale: 1:6	All Dimensions: mm [in]
		Material: N/A	
		Drawn by: LAURENT TARDIF	
		Drawn Date: 2024-07-10	Sheet Size: LETTER
	Sheet: 9 of 17	Revision: #1	

SOLEN PURE SPEAKER KIT - BAFFLE CHAMFERS

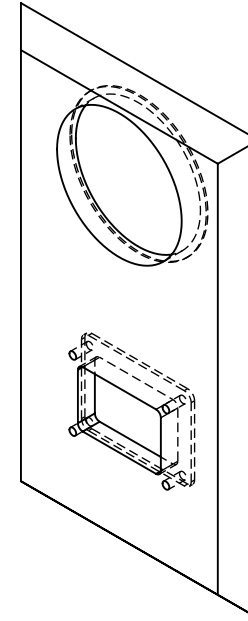
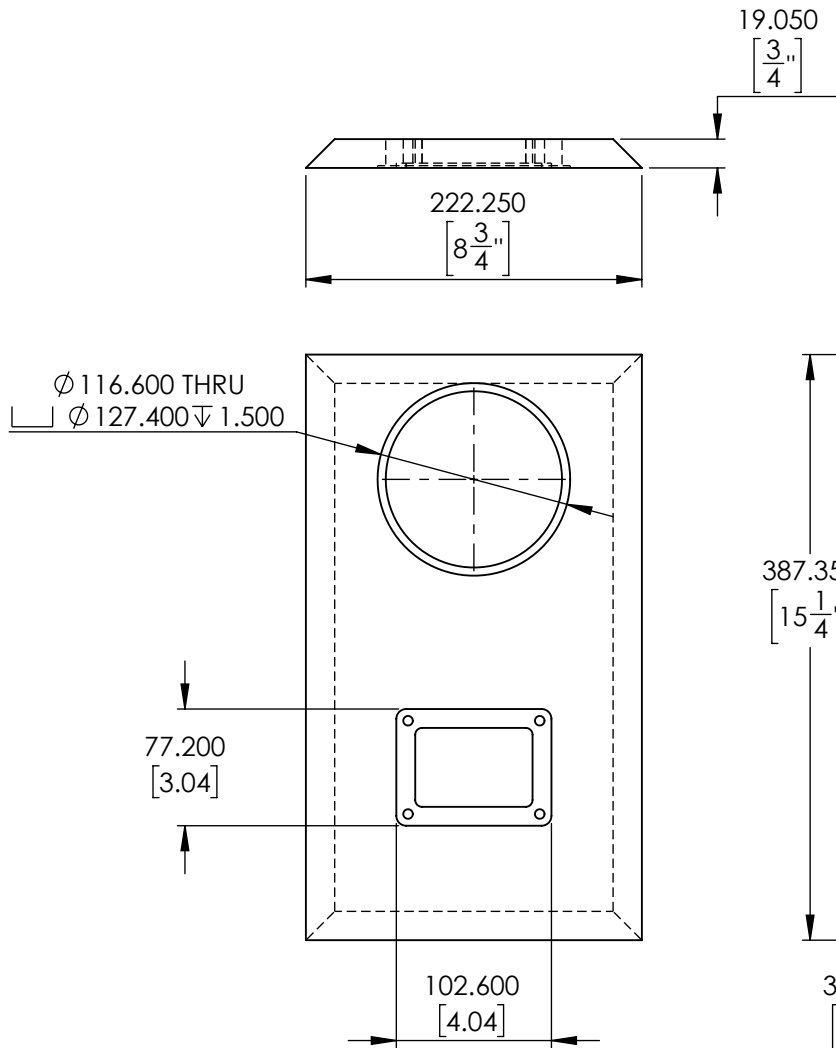



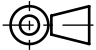
THESE ARE THE DIMENSIONS OF THE CHAMFERS ON THE ORIGINAL DESIGN. WITH THOSE DIMENSIONS, THEY ARE MORE AESTHETICS THAN FOR MINIMIZING DIFFRACTION.

DEEPER CHAMFERS WILL REQUIRE ADDING WOOD PIECES BEHIND THE BAFFLE IN THE CORNERS.

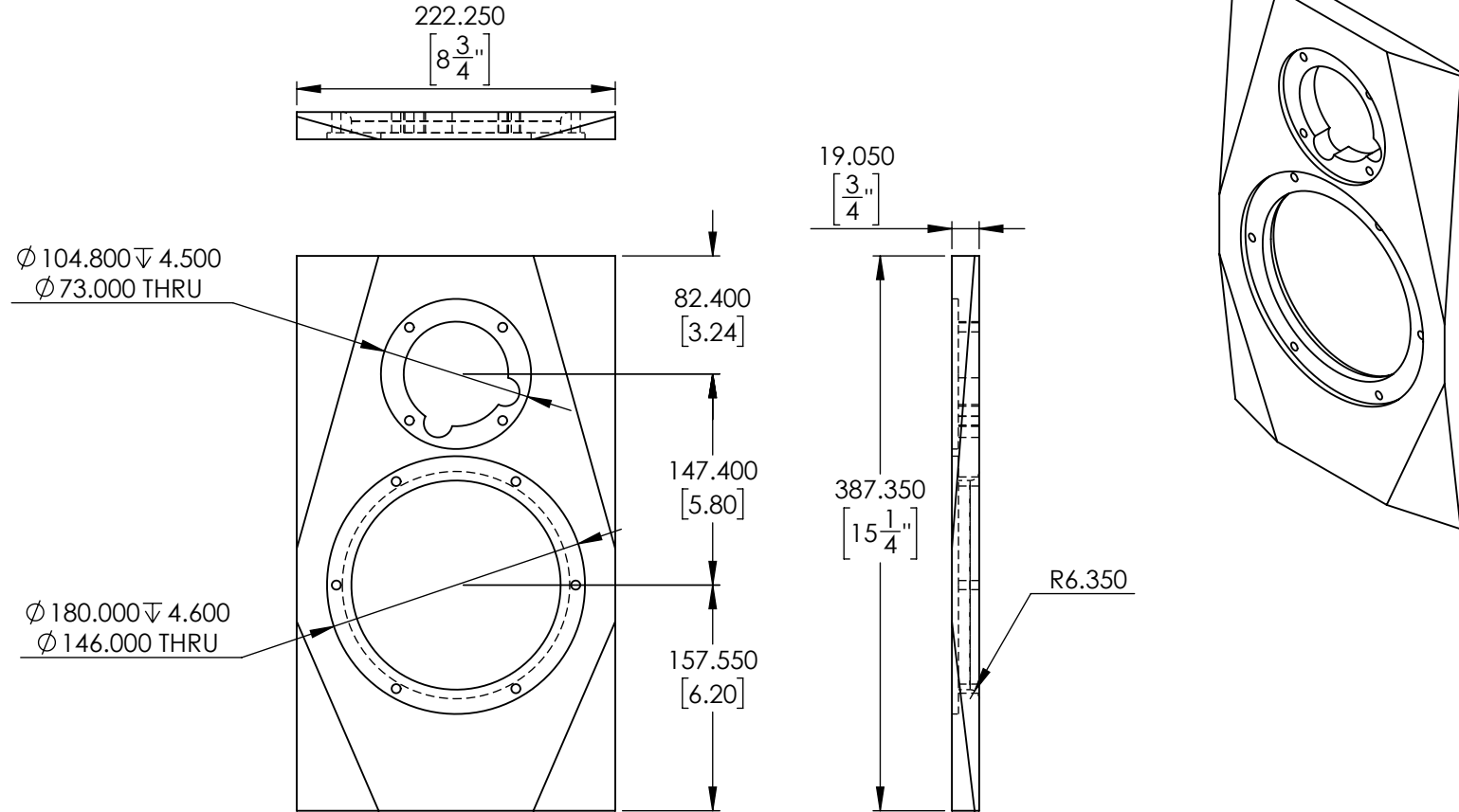
 SOLEN ÉLECTRONIQUE INC., 3940 BLVD. SIR-WILFRID-LAURIER, (450) 656-2759 solen@solen.ca	Legal Owner:	Description: SOLEN PURE FLAT PACK - BAFFLE CHAMFERS	Projection Method:  THIRD ANGLE
	Drawing Scale: 1:4	All Dimensions: mm [in]	Material: N/A
	Drawn by: LAURENT TARDIF	Drawn Date: 2024-07-09	Sheet Size: LETTER
	Sheet: 10 of 17	Revision: #1	
	This drawing and any information or descriptive material set out on it are the confidential and copyright property of Solen Électronique INC. and MUST NOT BE DISCLOSED, COPIED, LOANED in whole or part or used for any purpose without the written permission of Solen Électronique INC.		

SOLEN PURE SPEAKER KIT - BACK


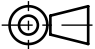


<p>Legal Owner:</p>  <p>SOLEN ÉLECTRONIQUE INC., 3940 BLVD. SIR-WILFRID-LAURIER, (450) 656-2759 solen@solen.ca</p>	<p>Description:</p> <p>SOLEN PURE FLAT PACK - BACK</p>	<p>Projection Method:</p> <p>THIRD ANGLE </p>
	<p>Drawing Scale: 1:5</p>	<p>All Dimensions: mm [in]</p>
	<p>Material: 3/4" MDF</p>	
	<p>Drawn by:</p> <p>LAURENT TARDIF</p>	
	<p>Drawn Date:</p> <p>2024-07-09</p>	<p>Sheet Size:</p> <p>LETTER</p>
<p>Sheet: 11 of 17</p>	<p>Revision: #1</p>	

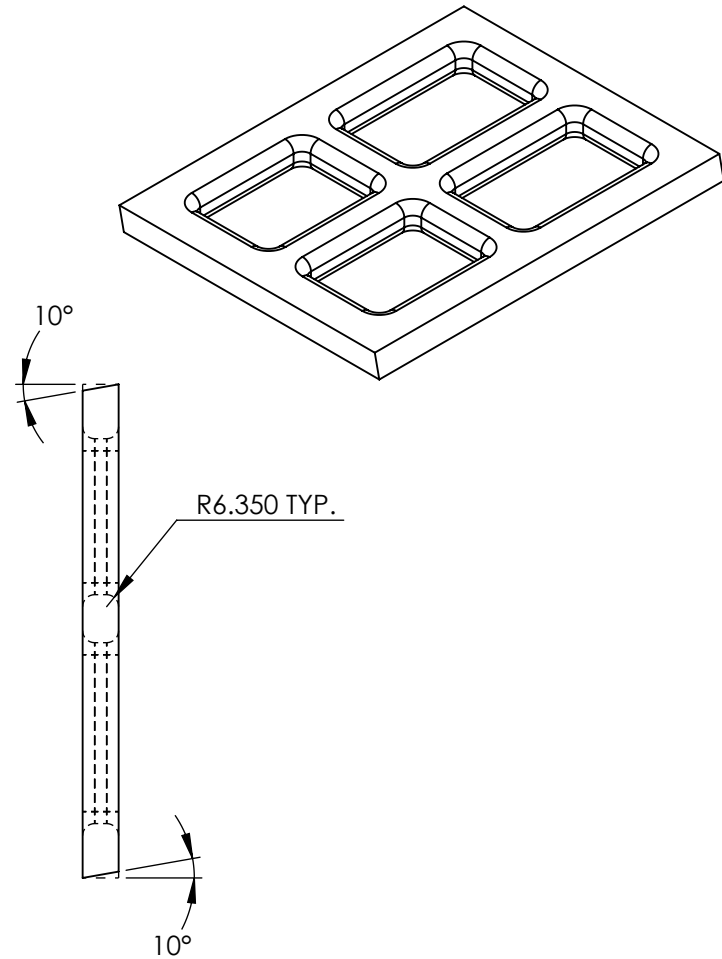
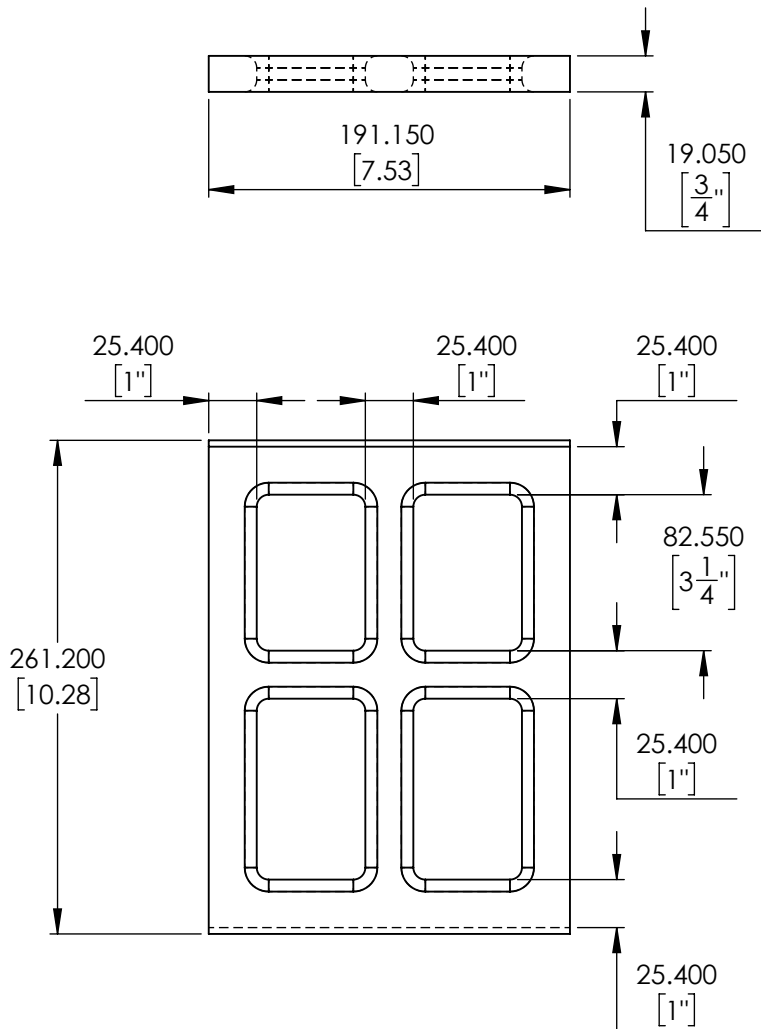
SOLEN PURE SPEAKER KIT - BAFFLE


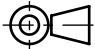


CHAMFERS DIMENSIONS ARE SHOWN IN THE "BAFFLE CHAMFERS" PAGE

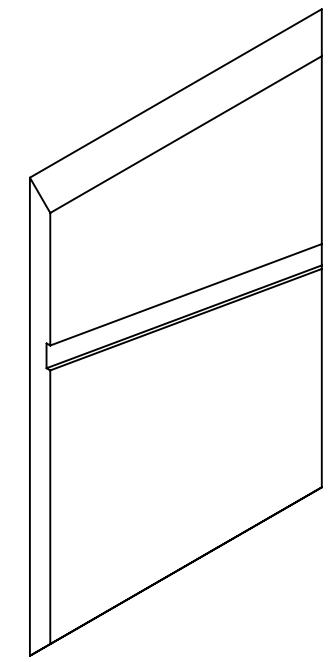
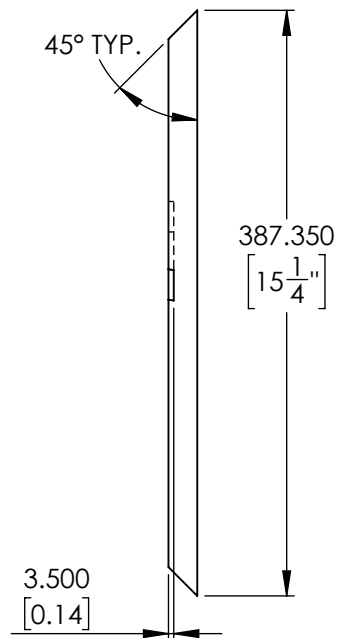
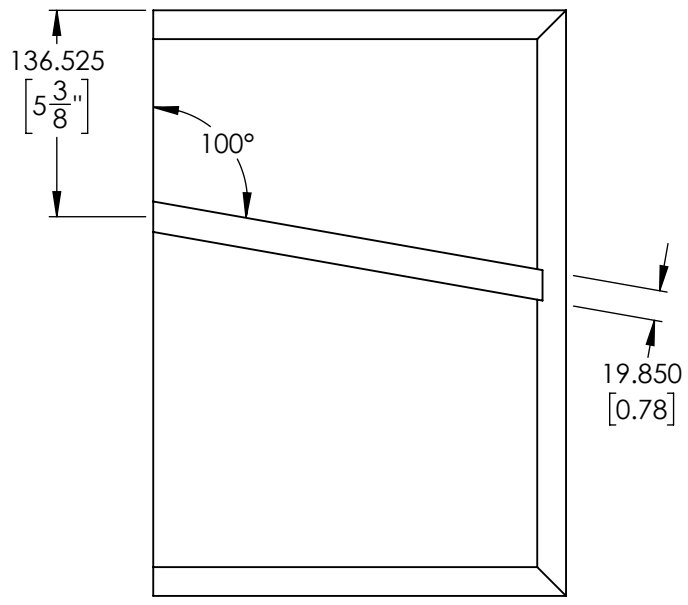
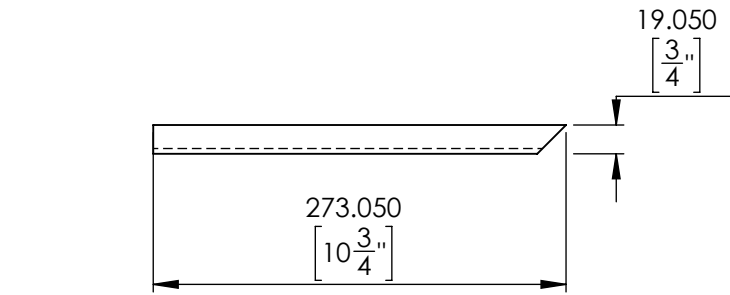
<p>Legal Owner:</p>  <p>SOLEN ÉLECTRONIQUE INC., 3940 BLVD. SIR-WILFRID-LAURIER, (450) 656-2759 solen@solen.ca</p>	<p>Description:</p> <p>SOLEN PURE FLAT PACK - FRONT</p>	<p>Projection Method:</p> <p>THIRD ANGLE </p>
	<p>This drawing and any information or descriptive material set out on it are the confidential and copyright property of Solen Électronique INC. and MUST NOT BE DISCLOSED, COPIED, LOANED in whole or part or used for any purpose without the written permission of Solen Électronique INC.</p>	<p>Drawing Scale: 1:5</p> <p>All Dimensions: mm [in]</p>
	<p>Material: 3/4" MDF</p>	<p>Drawn by:</p> <p>LAURENT TARDIF</p>
	<p>Drawn Date:</p> <p>2024-07-09</p>	<p>Sheet Size:</p> <p>LETTER</p>
	<p>Sheet: 12 of 17</p>	<p>Revision: #1</p>


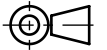
SOLEN PURE SPEAKER KIT - BRACE



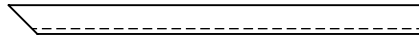
<p>Legal Owner:</p>  <p>SOLEN ÉLECTRONIQUE INC., 3940 BLVD. SIR-WILFRID-LAURIER, (450) 656-2759 solen@solen.ca</p>	<p>Description:</p> <p>SOLEN PURE FLAT PACK - BRACE</p>	<p>Projection Method:</p> <p>THIRD ANGLE </p>
	<p>This drawing and any information or descriptive material set out on it are the confidential and copyright property of Solen Électronique INC. and MUST NOT BE DISCLOSED, COPIED, LOANED in whole or part or used for any purpose without the written permission of Solen Électronique INC.</p>	<p>Drawing Scale: 1:4</p> <p>All Dimensions: mm [in]</p>
	<p>Material: 3/4" MDF</p>	<p>Drawn by:</p> <p>LAURENT TARDIF</p>
	<p>Drawn Date:</p> <p>2024-07-09</p>	<p>Sheet Size:</p> <p>LETTER</p>
	<p>Sheet: 13 of 17</p>	<p>Revision: #1</p>

SOLEN PURE SPEAKER KIT - LEFT SIDE

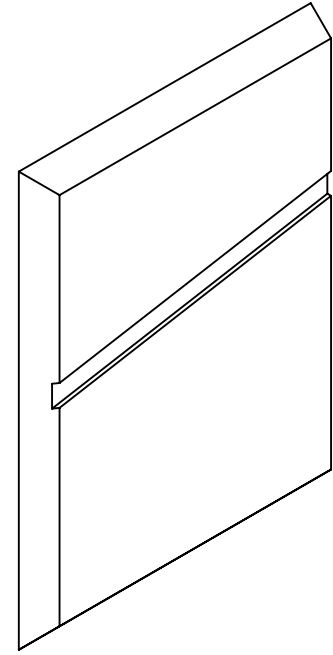
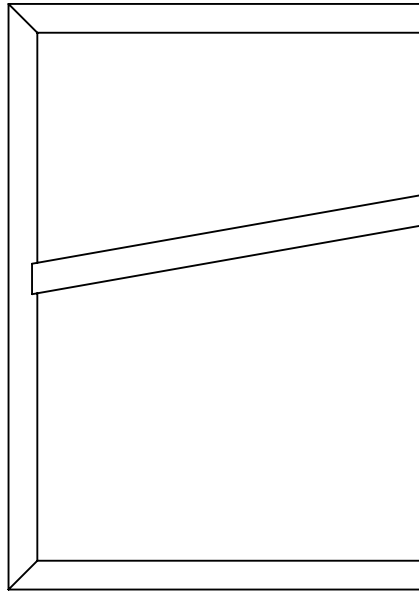



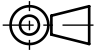
 SOLEN ÉLECTRONIQUE INC., 3940 BLVD. SIR-WILFRID-LAURIER, (450) 656-2759 solen@solen.ca	Legal Owner:	Description: SOLEN PURE FLAT PACK - LEFT SIDE	Projection Method: THIRD ANGLE 
	Drawing Scale: 1:5	All Dimensions: mm [in]	Material: 3/4" MDF
	Drawn by: LAURENT TARDIF	Drawn Date: 2024-07-09	Sheet Size: LETTER
	Sheet: 14 of 17	Revision: #1	
	This drawing and any information or descriptive material set out on it are the confidential and copyright property of Solen Électronique INC. and MUST NOT BE DISCLOSED, COPIED, LOANED in whole or part or used for any purpose without the written permission of Solen Électronique INC.		

SOLEN PURE SPEAKER KIT - RIGHT SIDE

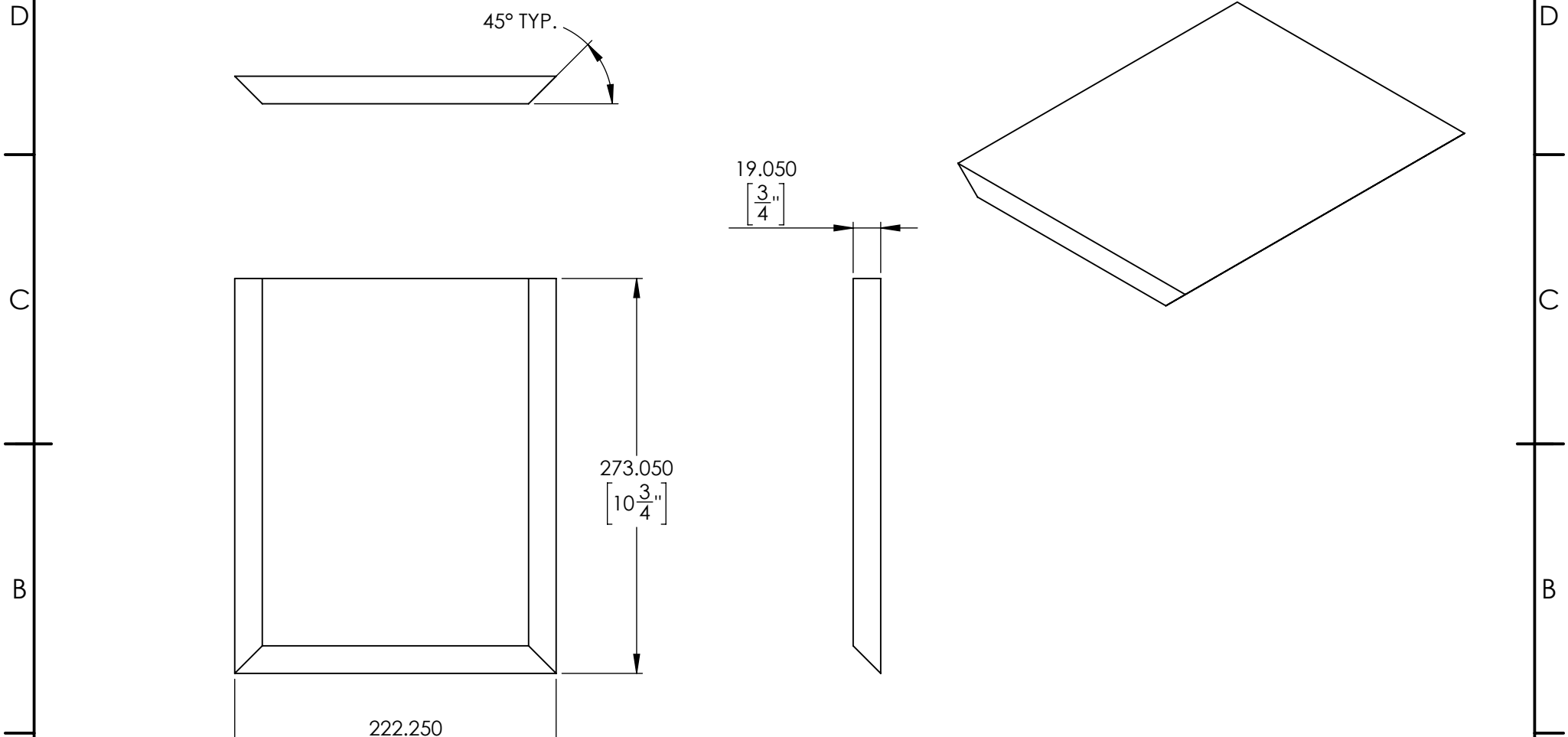



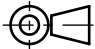
SAME AS LEFT SIDE, BUT MIRRORED



Legal Owner:  SOLEN ÉLECTRONIQUE INC., 3940 BLVD. SIR-WILFRID-LAURIER, (450) 656-2759 solen@solen.ca	Description: SOLEN PURE FLAT PACK - RIGHT SIDE	Projection Method: THIRD ANGLE 	
	This drawing and any information or descriptive material set out on it are the confidential and copyright property of Solen Électronique INC. and MUST NOT BE DISCLOSED, COPIED, LOANED in whole or part or used for any purpose without the written permission of Solen Électronique INC.	Drawing Scale: 1:5	All Dimensions: mm [in]
	Material: 3/4" MDF	Drawn by: LAURENT TARDIF	
	Drawn Date: 2024-07-09	Sheet Size: LETTER	
	Sheet: 15 of 17	Revision: #1	

SOLEN PURE SPEAKER KIT - TOP&BOTTOM

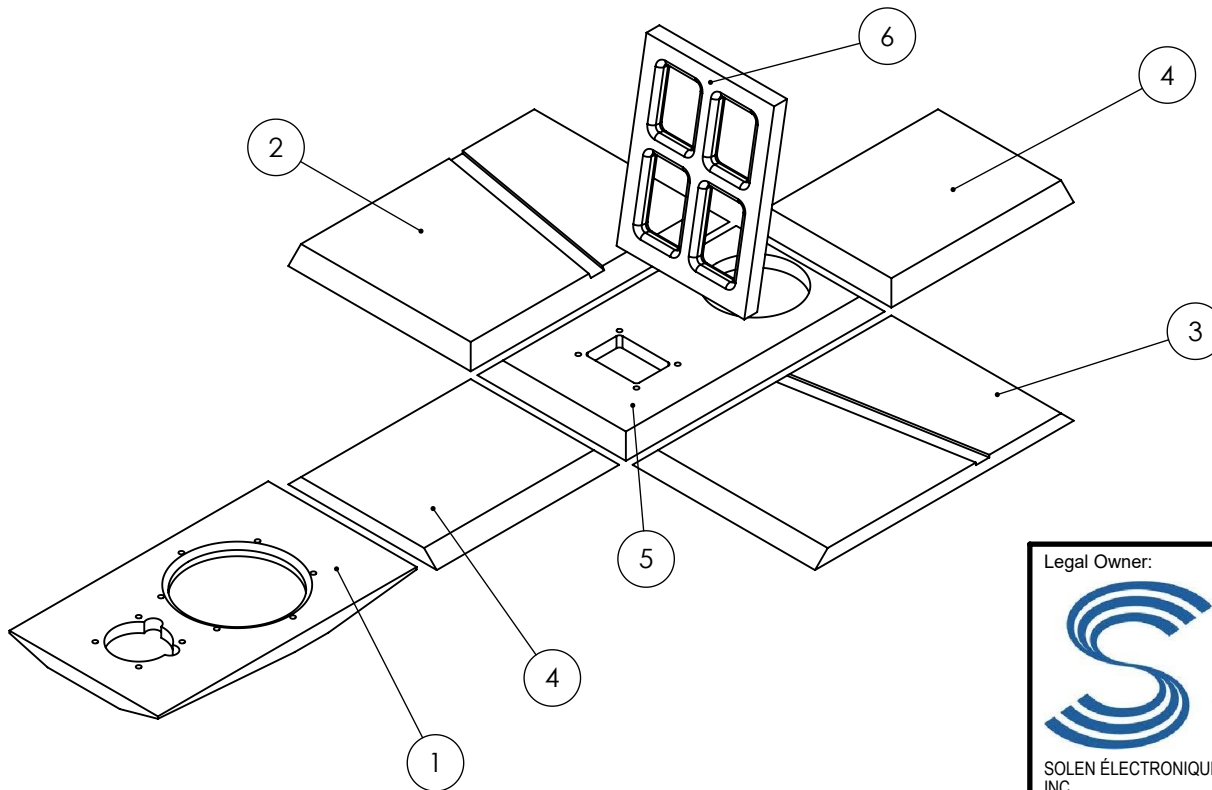




<p>Legal Owner:</p>  <p>SOLEN ÉLECTRONIQUE INC., 3940 BLVD. SIR-WILFRID-LAURIER, (450) 656-2759 solen@solen.ca</p>	<p>Description:</p> <p>SOLEN PURE FLAT PACK - TOP&BOTTOM</p>	<p>Projection Method:</p> <p>THIRD ANGLE </p>
	<p>This drawing and any information or descriptive material set out on it are the confidential and copyright property of Solen Électronique INC. and MUST NOT BE DISCLOSED, COPIED, LOANED in whole or part or used for any purpose without the written permission of Solen Électronique INC.</p>	<p>Drawing Scale: 1:4</p> <p>All Dimensions: mm [in]</p>
	<p>Material: 3/4" MDF</p>	<p>Drawn by:</p> <p>LAURENT TARDIF</p>
	<p>Drawn Date:</p> <p>2024-07-09</p>	<p>Sheet Size:</p> <p>LETTER</p>
	<p>Sheet: 16 of 17</p>	<p>Revision: #1</p>

SOLEN PURE SPEAKER KIT - FLAT PACK ASSEMBLY

- THE PARTS LAYOUT FOR TO ASSEMBLE THE FLAT PACK IS SHOWN HERE.
- TO MAKE SURE THAT THE ORIENTATION OF THE FRONT IS CORRECT, THE BRACE SHOULD BE BETWEEN THE TWEETER AND WOOFER WHEN ASSEMBLED.
- THE SMALLER BRACE OPENING SHOULD FACE THE FRONT OF THE CABINET.
- YOU CAN USE MASKING TAPE BETWEEN THE PARTS TO FACILITATE THE ASSEMBLY WHEN GLUING THE PARTS TOGETHER.
- WHEN ASSEMBLING, USE PLENTY OF GLUE ON ALL JOINT TO ENSURE A STRONG BOND AND WIPE OFF EXCESS GLUE.
- USE CLAMPS UNTIL THE GLUE HAS COMPLETELY DRIED.
- THE PORT IS PRESS FIT AND MIGHT REQUIRE SOME LIGHT SANDING ON THE OPENING AFTER PAINTING THE ENCLOSURE.

ITEM NO.	PART NUMBER	QTY.
1	FRONT	1
2	LEFT SIDE	1
3	RIGHT SIDE	1
4	TOP & BOTTOM	2
5	BACK	1
6	BRACE	1



<p>Legal Owner:</p>  <p>SOLEN ÉLECTRONIQUE INC., 3940 BLVD. SIR-WILFRID-LAURIER, (450) 656-2759 solen@solen.ca</p>	<p>Description:</p> <p>SOLEN PURE FLAT PACK - FLAT PACK ASSEMBLY</p>	<p>Projection Method:</p> <p>THIRD ANGLE </p>
	<p>This drawing and any information or descriptive material set out on it are the confidential and copyright property of Solen Électronique INC. and MUST NOT BE DISCLOSED, COPIED, LOANED in whole or part or used for any purpose without the written permission of Solen Électronique INC.</p>	<p>Drawing Scale: 1:8</p> <p>All Dimensions: mm [in]</p>
	<p>Material: N/A</p>	<p>Drawn by:</p> <p>LAURENT TARDIF</p>
	<p>Drawn Date:</p> <p>2024-07-09</p>	<p>Sheet Size:</p> <p>LETTER</p>
	<p>Sheet: 17 of 17</p>	<p>Revision: #1</p>