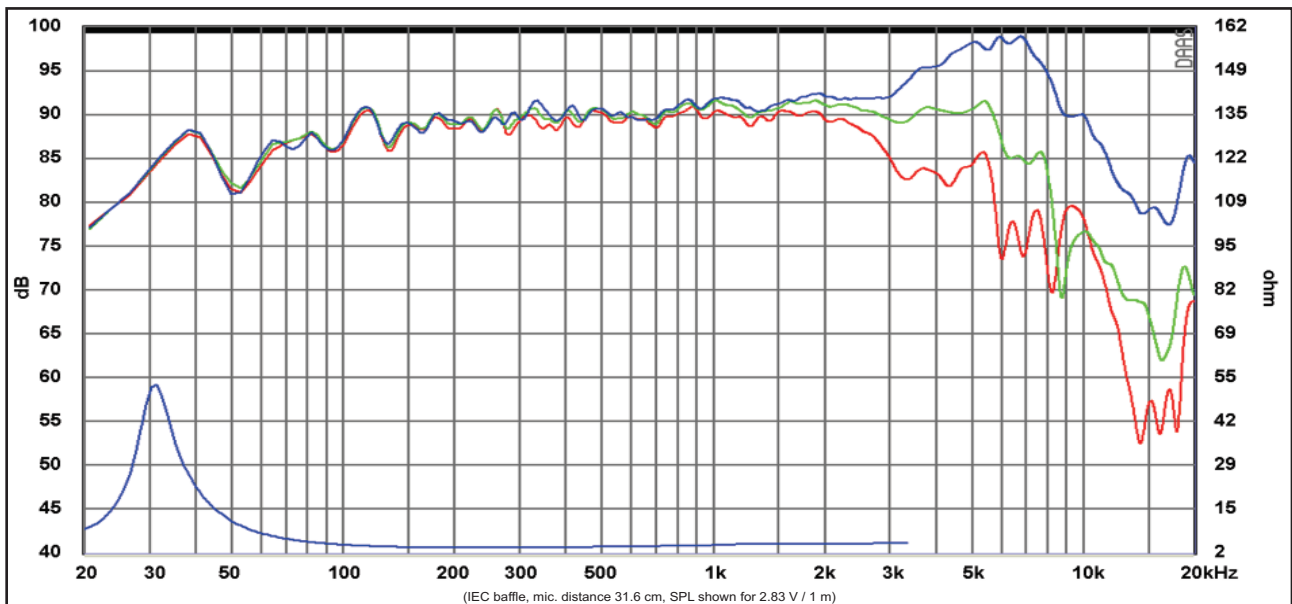
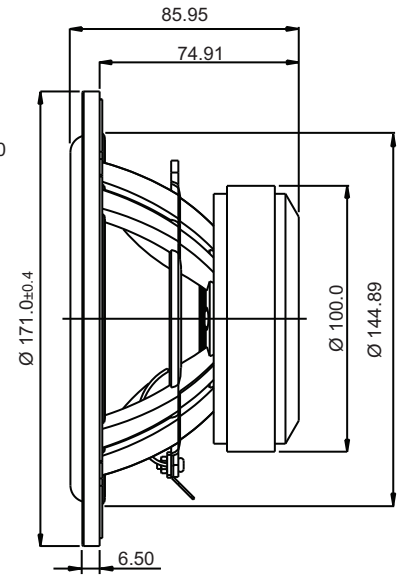
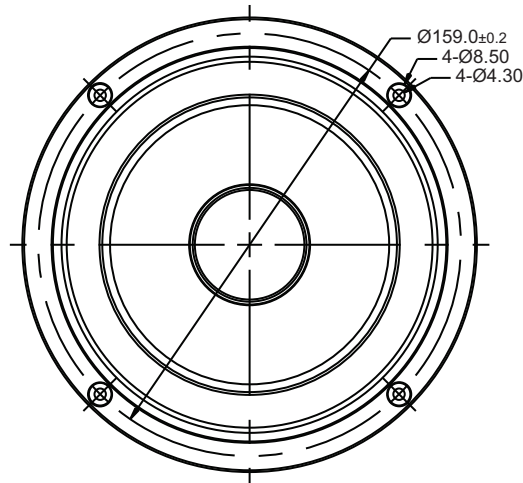


ACOUSTICS

6" SB17MFC35-4

Preliminary data



Response Curve :

— (Blue) : on axis — (Green) : 30° off-axis — (Red) : 60° off-axis

Specs :

| | | | |
|---------------------------|---------------------|----------------------------|-----------|
| Nominal Impedance | 4 Ω | Free air resonance, Fs | 31 Hz |
| DC resistance, Re | 3.1 Ω | Sensitivity (2.83 V / 1 m) | 90 dB |
| Voice coil inductance, Le | 0.13 mH | Mechanical Q-factor, Qms | 4.7 |
| Effective piston area, Sd | 118 cm ² | Electrical Q-factor, Qes | 0.31 |
| Voice coil diameter | 35.5 mm | Total Q-factor, Qts | 0.29 |
| Voice coil height | 16 mm | Moving mass incl.air, Mms | 12 g |
| Air gap height | 5 mm | Force factor, Bl | 4.8 Tm |
| Linear coil travel (p-p) | 11 mm | Equivalent volume, Vas | 44 liters |
| Magnetic flux density | 1.0 T | Compliance, Cms | 2.2 mm/N |
| Magnet weight | 0.54 kg | Mechanical loss, Rms | 0.5 kg/s |
| Net weight | 1.55 kg | Rated power handling* | 60 W |

* IEC 268-5, T/S parameters measured on drive units that are broken in.