

**XT
1" Tweeter**



Type Number: XT25TG30-04

Features:

The goal for this tweeter series was to create a transducer that has a frequency response that is flat to above 20K, and where the distortion is far lower than normal and more friendly to the ear. The tweeters represent a unique approach to tweeter design that has resulted in unrivaled performance, as well as in several patents (dual concentric diaphragm, wave-guide center plug).

Driver Highlights: Dual concentric diaphragm (Patent), Wave-guide center plug (Patent), copper-clad aluwire



Specs:

Electrical Data

| | | | |
|-----------------------|------|-----|-----|
| Nominal impedance | Zn | 4 | ohm |
| Minimum impedance | Zmin | -- | ohm |
| Maximum impedance | Zo | 19 | ohm |
| DC resistance | Re | 2.9 | ohm |
| Voice coil inductance | Le | -- | mH |

T-S Parameters

| | | | |
|-------------------------|-----|------|-----------------|
| Resonance Frequency | fs | 530 | Hz |
| Mechanical Q factor | Qms | -- | |
| Electrical Q factor | Qes | -- | |
| Total Q factor | Qts | -- | |
| Force factor | Bl | 2.5 | Tm |
| Mechanical resistance | Rms | 0.38 | Kg/s |
| Moving mass | Mms | 0.3 | g |
| Suspension compliance | Cms | -- | mm/N |
| Effective cone diameter | D | -- | cm |
| Effective piston area | Sd | 5.4 | cm ² |
| Equivalent volume | Vas | -- | ltrs |
| Sensitivity | | 91.1 | dB |

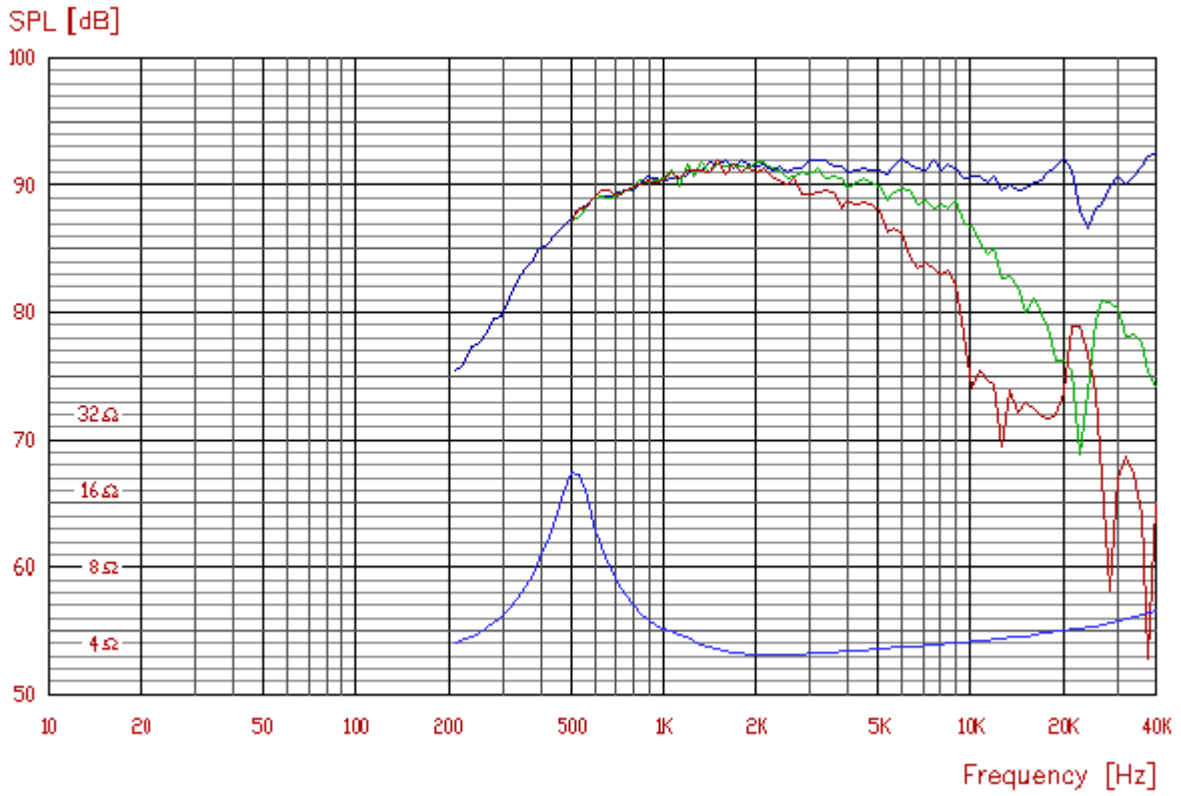
Power handling

| | | |
|----------------------------------|----|---|
| Long-term Max System Power (IEC) | -- | W |
| Short Term Max power | -- | W |

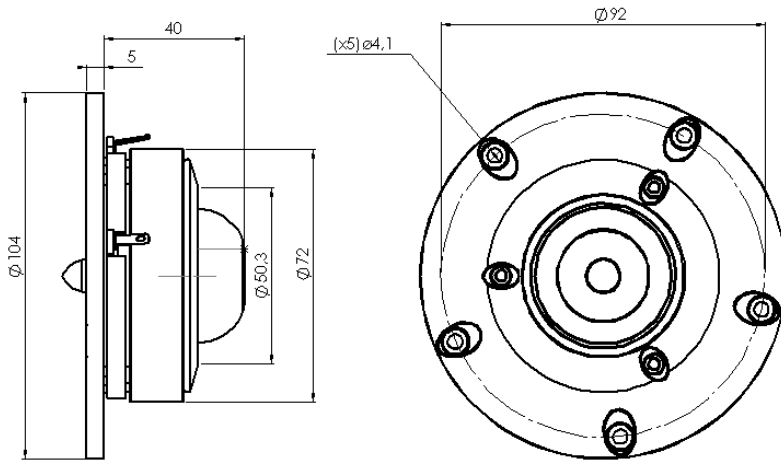
Voice Coil and Magnet Parameters

| | | |
|---------------------|-----|-----|
| Voice coil diameter | 26 | mm |
| Voice coil height | 2.2 | mm |
| Voice coil layers | -- | |
| Height of the gap | 2.5 | mm |
| Flux density of gap | -- | mWb |
| Total useful flux | -- | mWb |
| Diameter of magnet | -- | mm |
| Height of magnet | -- | mm |
| Weight of magnet | -- | Kg |

Frequency:



Mechanical Dimensions:



XT25TG30-04