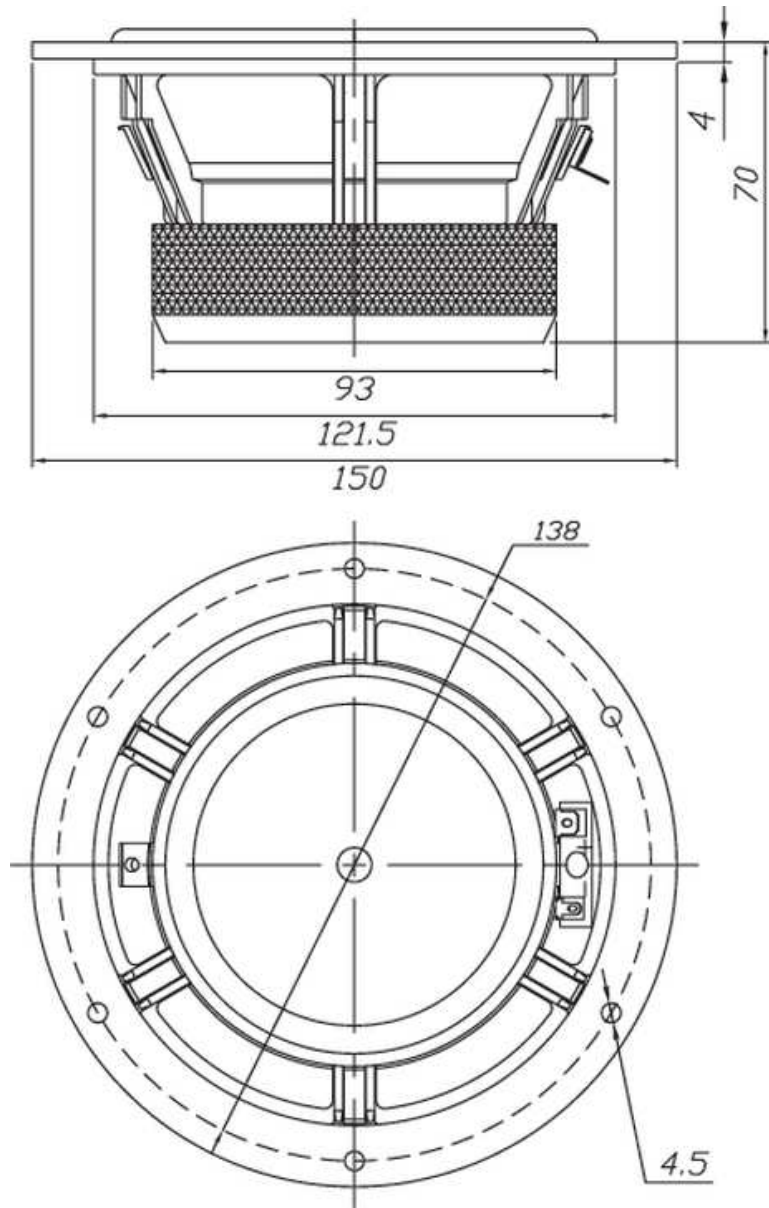




RS150P-4A 6" Reference Paper Woofer 4 Ohm

RS150P-4A



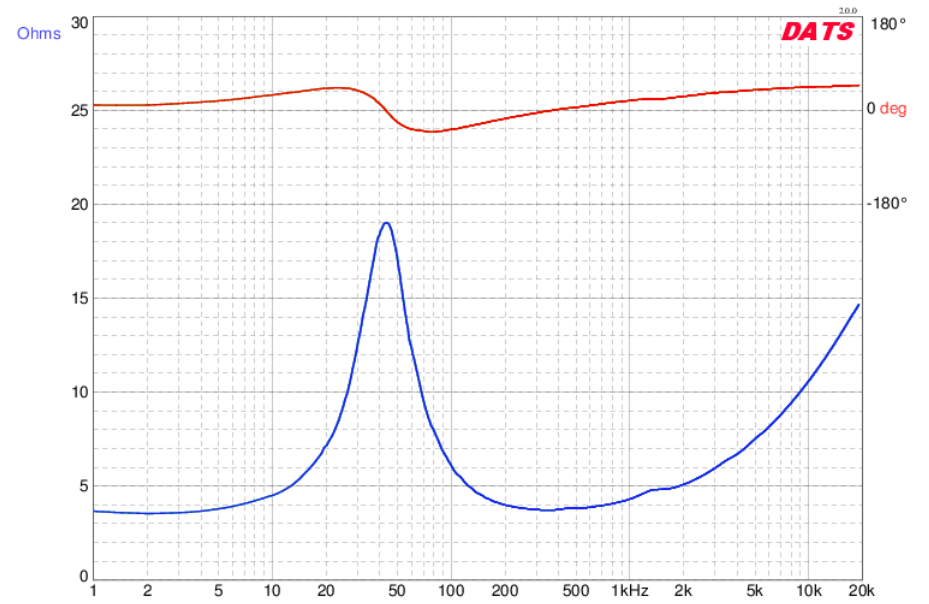
PARAMETERS

Impedance	4 ohms
Re	3.5 ohms
Le	0.39 mH @ 1 kHz
Fs	43.7 Hz
Qms	1.85
Qes	0.42
Qts	0.34
Mms	8.6g
Cms	1.54 mm/N
Sd	85.0 cm ²
Vd	37.4 cm ³
BL	4.4 Tm
Vas	15.7 liters
Xmax	4.4 mm
VC Diameter	25 mm
SPL	90.3 dB @ 2.83V/1m
RMS Power Handling	40 watts
Usable Frequency Range (Hz)	45 - 10,000 Hz

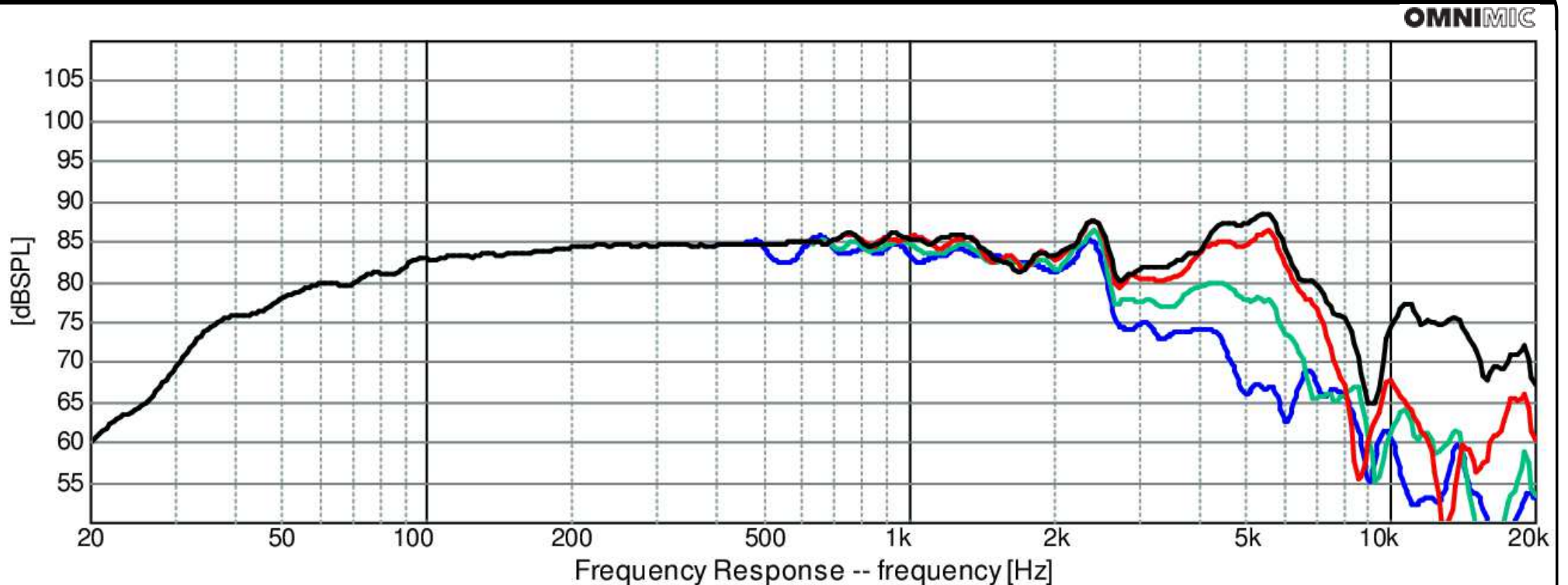
FEATURES

- Three-part paper composite diaphragm featuring paper, Kevlar, and glass fibers
- Similar cosmetics and design features as original Reference Series with low-distortion motor, 6-hole cast frame, rubber surround, and solid aluminum phase plug
- Perfect as woofers, midwoofers, or dedicated midrange drivers
- 4 mm of Xmax and 90.3 dB sensitivity

IMPEDANCE/PHASE



FREQUENCY RESPONSE



OmniMic

Note: 1/24th octave smoothing - nearfield response included in graph below 450 Hz.

Black = 0°
Red = 15°
Green = 30°
Blue = 45°