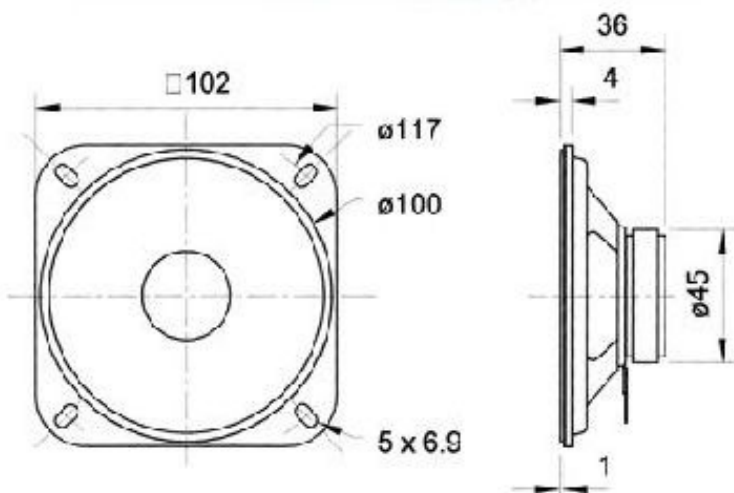


**Technical Data:**

Rated power	20 W
Maximum power	30 W
Nominal impedance Z	8 Ohm
Frequency response	100–13000 Hz
Mean sound pressure level	90 dB (1 W/1 m)
Opening angle (-6 dB)	92°/4000 Hz
Excursion limit	+/-1,5 mm
Resonance frequency $f_s$	188 Hz
Magnetic induction	0,95 T
Magnetic flux	135 $\mu$ Wb
Height of front pole-plate	3 mm
Voice coil diameter	15 mm
Height of winding	4 mm
Cutout diameter	93 mm
Net weight	0,16 kg
D.C. resistance $R_{dc}$	7,2 Ohm
Mechanical Q factor $Q_{ms}$	6,27
Electrical Q factor $Q_{es}$	2,92
Total Q factor $Q_{ts}$	1,99
Equivalent volume $V_{as}$	1,7 l
Effective piston area $S_d$	56 cm <sup>2</sup>
Dynamically moved mass $M_{ms}$	2 g
Force factor $B_{xl}$	2,0 T m
Inductance of the voice coil L	0,5 mH
Connections	4,8 x 0,8 mm (+) 2,8 x 0,8 mm (-)
Temperature range	-25 ... 70 °C



**Visaton R 10 S - 8 Ohm**

Frequenzgang und Impedanz

