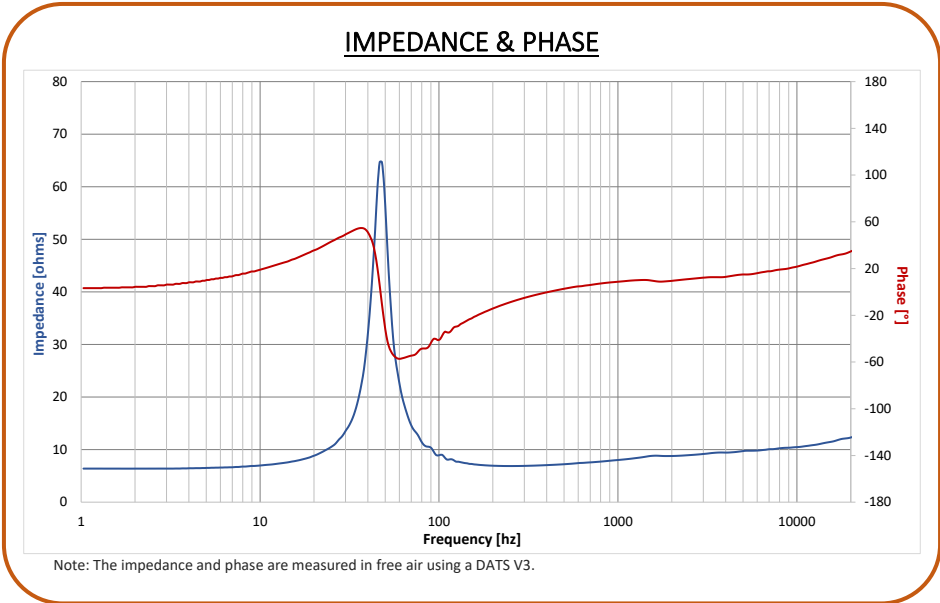
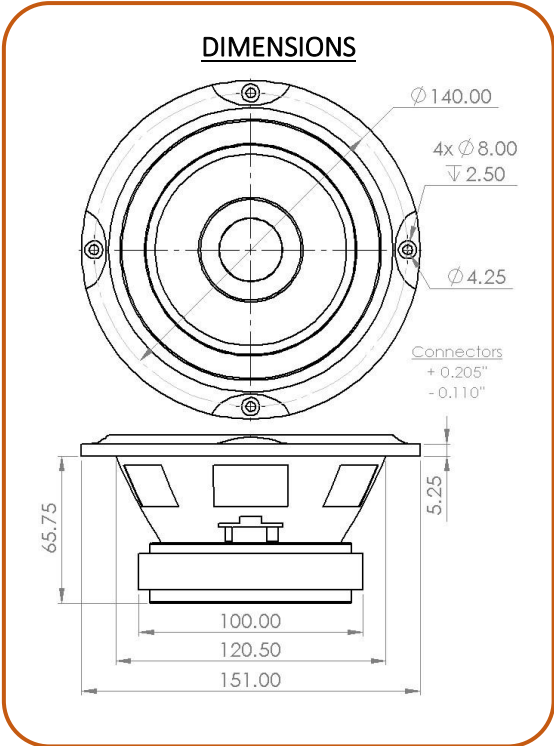




# MODEL : FR151B8-22F

TYPE : Fullrange driver

- ### FEATURES
- Wood cone
  - Rubber surround
  - Cast frame
  - Aluminum phase plug



### PARAMETERS

Fs	47 Hz
Impedance	8 ohms
Re	6.37 ohms
Qms	6.16
Qes	0.64
Qts	0.58
Vas	13.82 liters
Le	0.77 mH @ 1kHz
SPL	86.5 dB @ 2.83V/1m
Mms	9.63 g
Cms	1.17 mm/N
BL	5.34
Xmax	2.9 mm
RMS Power Handling	30 W
Sd	91.61 mm <sup>2</sup>
Usable Frequency Range	Fs - ,000 Hz

Note : T/S Parameters measured on drive units that are broken in.

