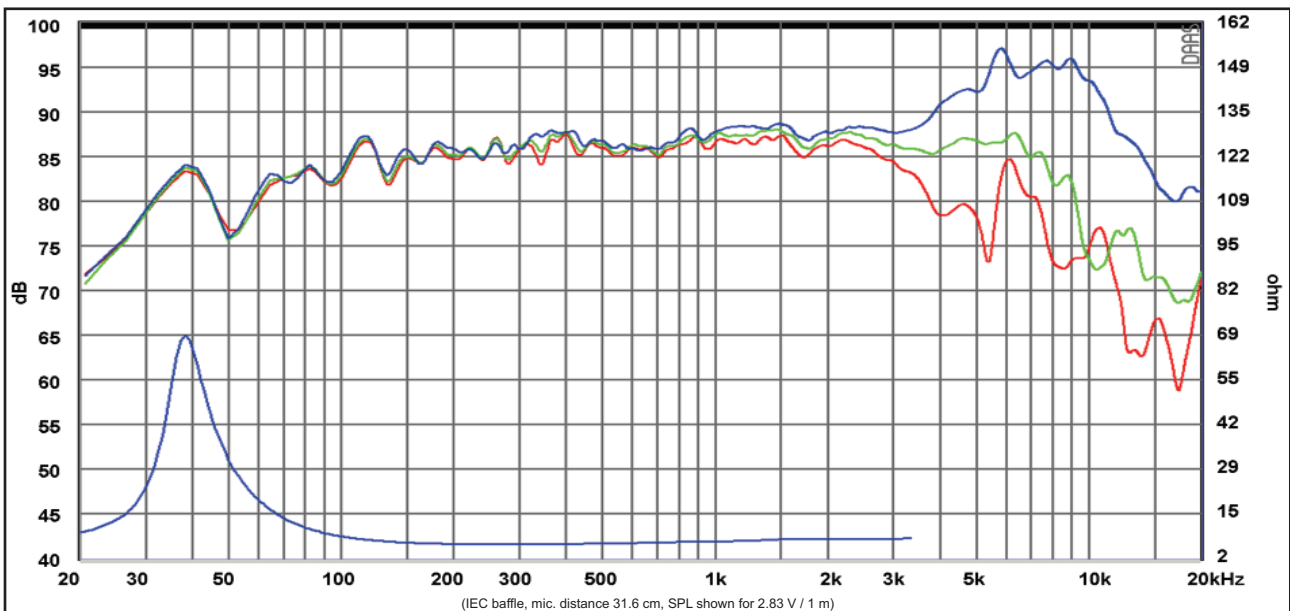
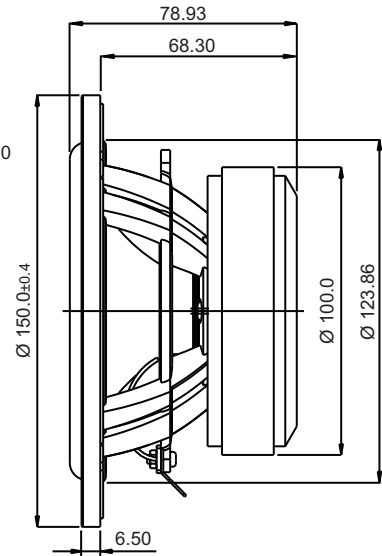
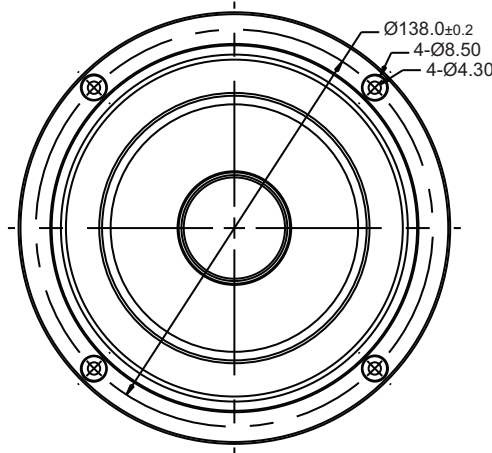


ACOUSTICS

5" SB15MFC30-8

Preliminary data



Response Curve :

— (Blue) : on axis — (Green) : 30° off-axis — (Red) : 60° off-axis

Specs :

Nominal Impedance	8 Ω	Free air resonance, Fs	39 Hz
DC resistance, Re	5.7 Ω	Sensitivity (2.83 V / 1 m)	87 dB
Voice coil inductance, Le	0.14 mH	Mechanical Q-factor, Qms	4.4
Effective piston area, Sd	82 cm ²	Electrical Q-factor, Qes	0.4
Voice coil diameter	30.5 mm	Total Q-factor, Qts	0.36
Voice coil height	15 mm	Moving mass incl.air, Mms	9 g
Air gap height	5 mm	Force factor, Bl	5.6 Tm
Linear coil travel (p-p)	10 mm	Equivalent volume, Vas	17 liters
Magnetic flux density	1.0 T	Compliance, Cms	1.84 mm/N
Magnet weight	0.54 kg	Mechanical loss, Rms	0.5 kg/s
Net weight	1.48 kg	Rated power handling*	50 W

* IEC 268-5, T/S parameters measured on drive units that are broken in.