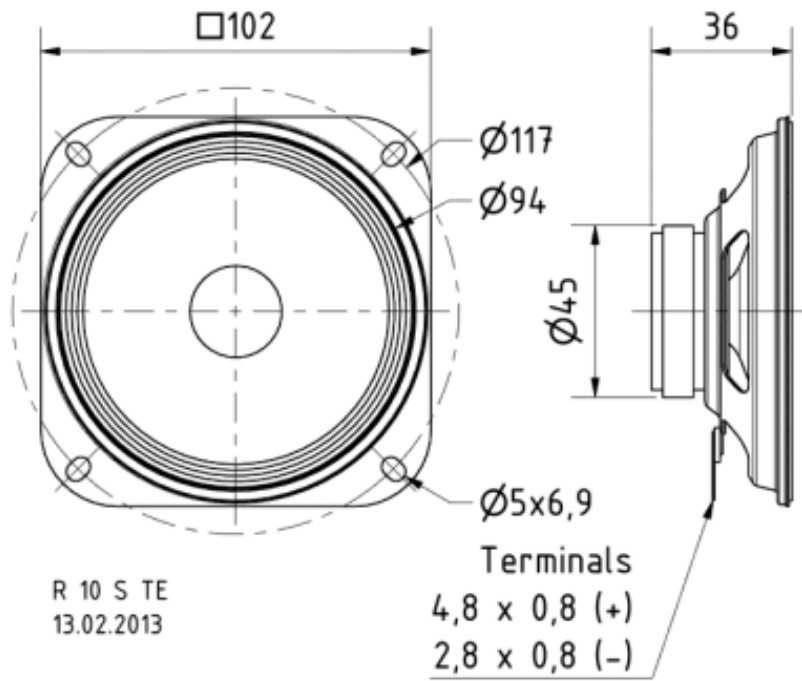


Rated power	20 W
Maximum power	30 W
Nominal impedance Z	4 Ohm
Frequency response	100–13000 Hz
Mean sound pressure level	90 dB (1 W/1 m)
Opening angle (-6 dB)	92°/4000 Hz
Excursion limit	+/-1.5 mm
Resonance frequency fs	160 Hz
Magnetic induction	0.95 T
Magnetic flux	135 μWb
Height of front pole-plate	3 mm
Voice coil diameter	15 mm
Height of winding	4 mm
Cutout diameter	93 mm
Net weight	0.16 kg
Connections	4.8 x 0.8 mm (+) 2.8 x 0.8 mm (-)
Temperature range	-25 ... 70 °C



Visaton R 10 S - 4 Ohm
Frequenzgang und Impedanz

