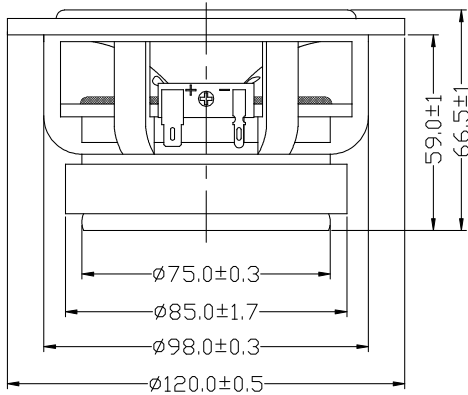
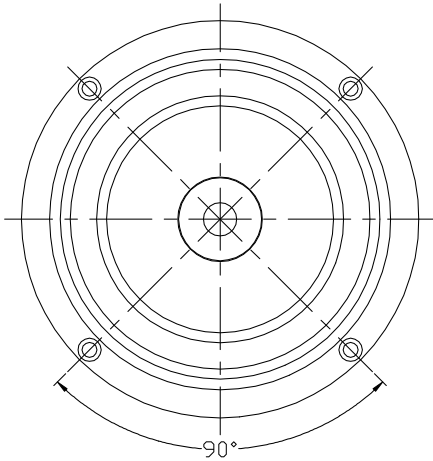




CX120-8 4" Coaxial Driver with 3/4" Silk Dome Tweeter 8 Ohm

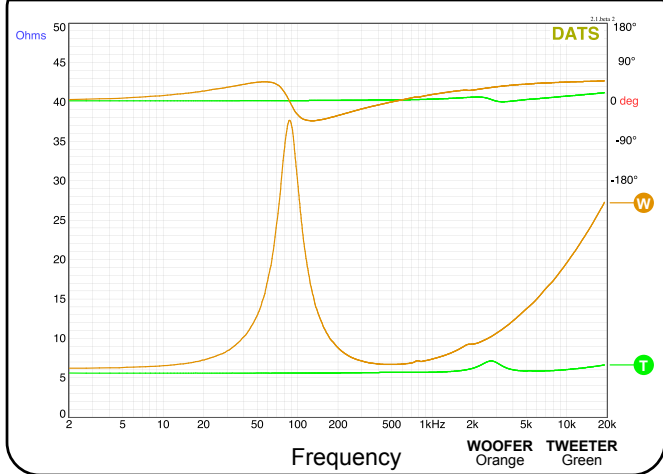
CX120-8



TWEETER/WOOFER PARAMETERS

	TWEETER	WOOFER
Impedance (ohms)	8	8
Re (ohms)	5.6	6.22
Le (mH @ 1 kHz)	0.04 @ 10 kHz	0.63 @ 1 kHz
Fs (Hz)	2745	87.5
Qms	2.20	2.89
Qes	7.91	0.57
Qts	1.72	0.48
Mms (g)	N/A	4.82
Cms (mm/N)	N/A	0.765
Sd (cm ²)	N/A	52.51
Vd (cm ³)	N/A	N/A
BL (Tm)	N/A	5.08
Vas (liters)	N/A	3.0
Xmax (mm)	N/A	3.0
VC Diameter	3/4"	1"
SPL (dB @ 2.83V/1m)	89.2	88.5
RMS Power Handling (watts)	20	40
Usable Frequency Range (Hz)	4,500-20,000	90 to 8,500

IMPEDANCE/PHASE



FEATURES

- Full-range with accurate bass and extended high frequency response
- Coaxial mounted 3/4" silk dome tweeter
- Open cast frame for improved air flow and minimal power compression
- 4" curvilinear poly cone woofer with rubber half roll surround

FREQUENCY RESPONSE

