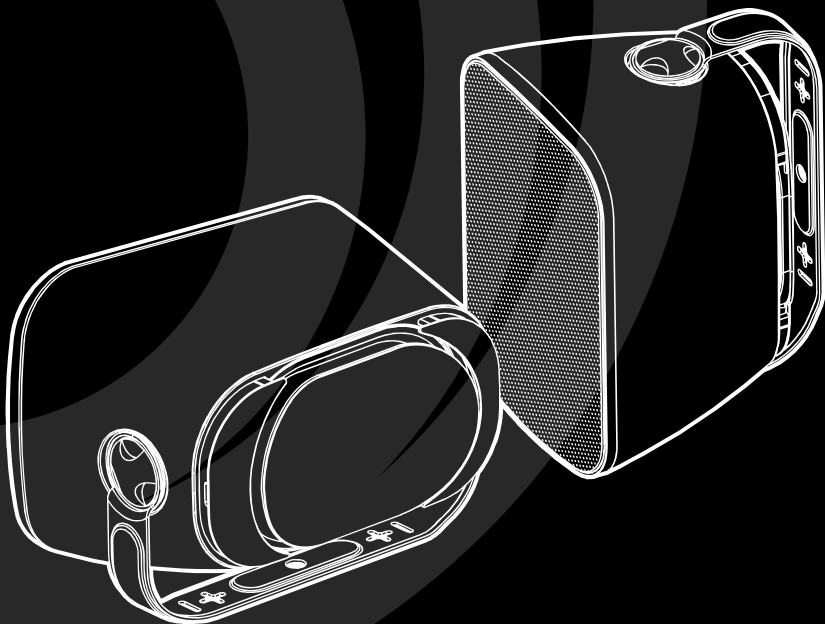




6-1/2" IP65 70V/100V 8 OHM INDOOR/OUTDOOR 2-WAY SPEAKER PAIR WITH PASSIVE RADIATOR

Models: IO65XTW (White)
IO65XTB (Black)
User Manual



Thank you for purchasing the IO65XT Indoor/Outdoor Speaker Pair. These speakers are the perfect choice for quality audio indoor or outdoor. Residential applications such as patio, pool, garden or commercial offices, bar/restaurants, hotel. The IO65XT features weather-resistant construction, high-quality components and exclusive acoustic tuning by Dayton Audio for optimal performance. The IO65XT features 70V/100V transformer with 8 ohm bypass, a truly universal speaker for any application.

Features

- High excursion polypropylene 6.5" woofer with robust rubber surround
- Sealed IP65 ABS enclosure protects the speaker from water damage
- Bass radiator delivers an extended low frequency response
- Lightweight treated silk dome tweeter for smooth natural high frequencies
- 8 ohm and 70V/100V compatibility for use with both commercial and consumer amps

Please read these instructions completely before you begin your installation.

1. Parts Inventory

- Pair of IO65XT speakers
- Mounting brackets and hardware
- Manual

2. Recommended Installation Tools (not included)

- #2 Phillips screwdriver
- Small and medium size flat-head screw driver
- Wire cutters & wire stripper/crimp tool
- Drill and drill bits
- Pencil
- Level*
- Stud finder*

*Optional installation tools

3. Speaker Location

Because of their well-behaved off-axis response and excellent dispersion, your new Dayton Audio speakers are less critical to position than most loudspeakers. For the best possible listening experience, place the speakers in the desired location about 5-8 feet apart. Even though the speakers carry an certified IPX65 standard, select an install location that is protected from rain, snow, and direct sunlight for an extended product service life.

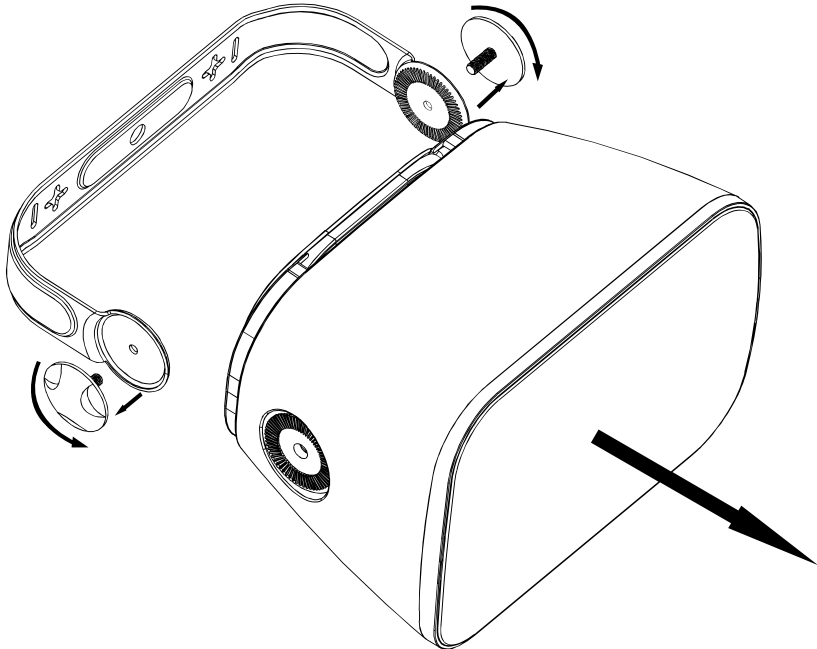
4. Speaker Installation

Once you have selected the best location for your speakers, you are ready to install.

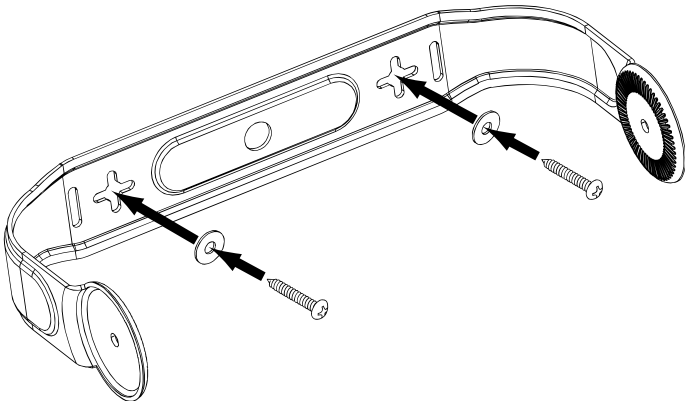
CAUTION: Be certain that there are no electrical wires, water pipes, or heating ducts in the planned installation area before you begin drilling. If there is an electrical outlet nearby, turn off the circuit breaker to avoid possible injury.

The IO65XT speakers are compact, but substantial in weight. They should be mounted into a solid structure, not drywall. If drywall mounting is required, use high-strength anchors designed for heavy loads such as light fixtures. To avoid personal injury, please make sure the location you choose for mounting your indoor/outdoor speakers can safely support their weight.

To mark the proper locations for mounting, remove the speaker mounting bracket by unscrewing the round plastic endcaps at each end of the speaker. If needed use a stud finder to locate a solid mounting area. Place the speaker mounting bracket against the mounting surface, use a level to ensure the mount is straight and mark the hole locations on the mounting surface with a pencil. If drilling is required remove the speaker bracket from mounting surface prior to avoid any damage.



Next install the speaker mounting bracket firmly to the mounting surface using the supplied mounting hardware.

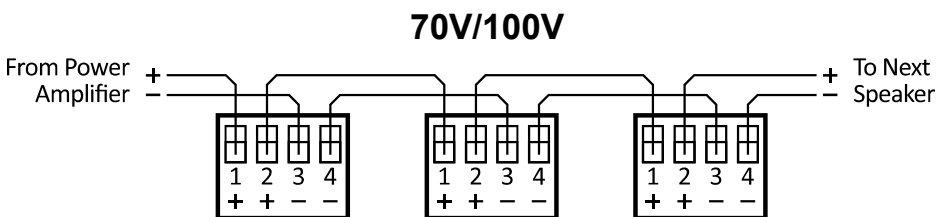
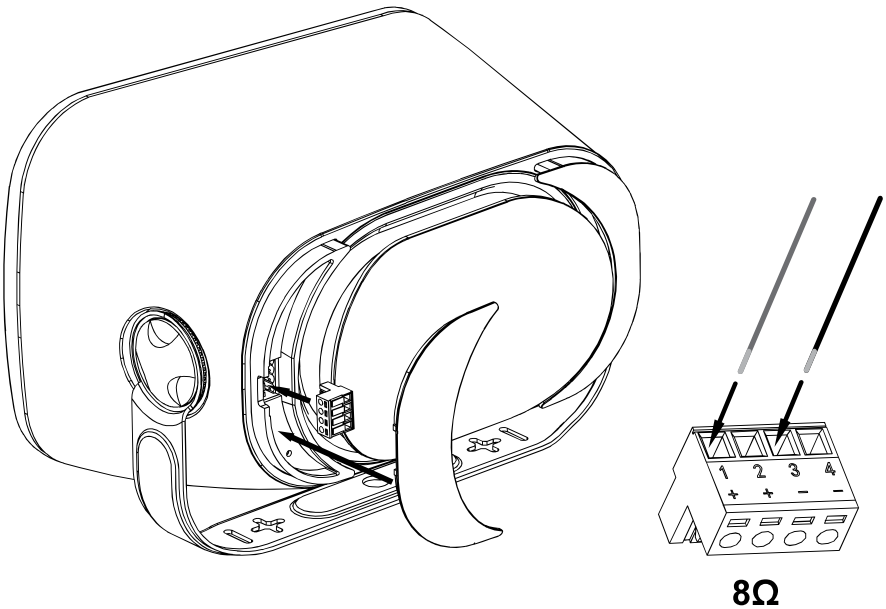


5. Speaker Cable

Don't compromise your sound quality by using thin, inexpensive speaker wire. We recommend using high quality oxygen free copper two-conductor speaker cable. For low-impedance applications (8 ohm) and runs less than 50 feet we recommend 16-gauge cable, and for longer runs we recommend 14 gauge or larger cable. (Wire size is less important for 70-volt distributed audio applications but still may affect performance.) Note that most municipalities require the use of CL2 rated speaker cable for cable runs through walls and ceilings. Leave enough excess speaker cable so you can stand comfortably on the floor or ladder while connecting the speaker cable to the speakers. If mounting the speakers outdoors, you may wish to fill the hole that the speaker wire passes through with a caulking material to prevent water intrusion and air infiltration.

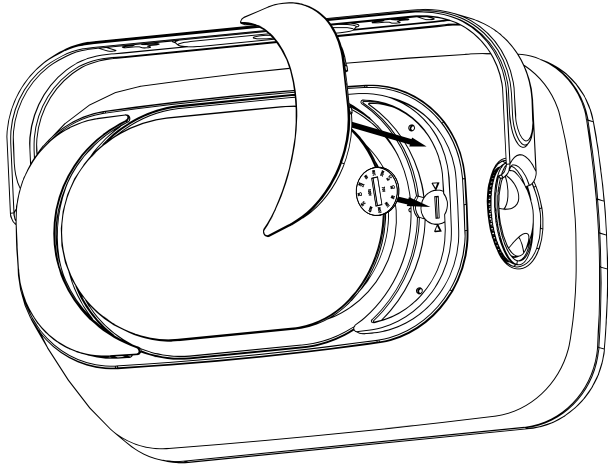
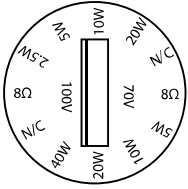
6. Speaker Connection

Remove about 4" of the cable jacket to expose the inner conductors. Strip 1/4" of insulation from each conductor. Remove the small plastic end cap from the back of the speaker to expose the speaker wire connector. Remove the green speaker wire connector and insert the speaker wire, observing speaker polarity. Using a small flat head screw driver tighten the screws to secure the speaker wire. Plug the connector back into the speaker and replace end cap.



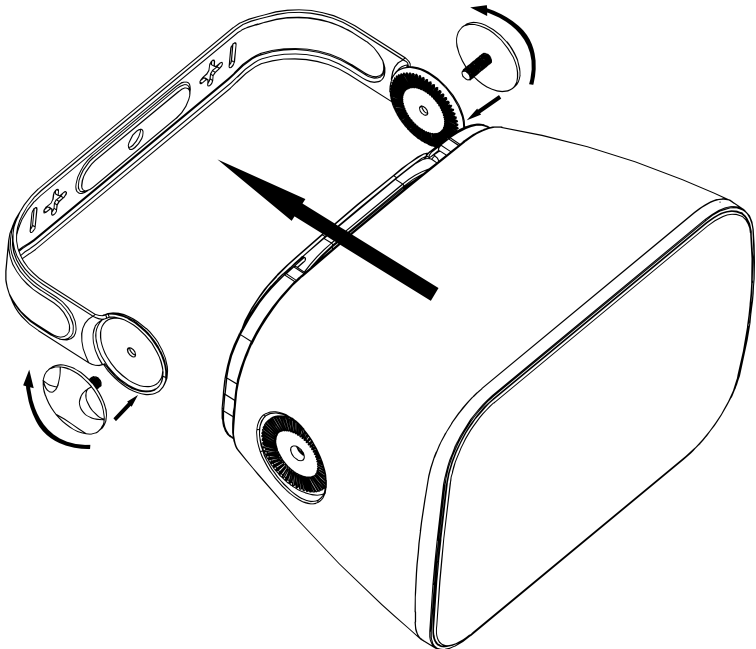
7. Transformer settings

Depending on your application you will need to adjust the transformer settings. If you are using stereo amplifier the transformer should set to the 8 ohm position. If you are using a 70V/100V amplifier set the dial to the desired 70V/100V tap setting. Remove the endcap to expose the settings dial, this adjustment can be made with flat head screw driver. Replace the endcap once the adjustment has been made.



8. Final Installation

To install the speakers into their final location, place them into the yoke brackets and align the threaded inserts in the enclosure for the endcap screws with the matching holes in the yoke brackets, then install the endcap screws. Select an angle for the enclosure that will allow the entire listening area to be within line-of-sight to the tweeter dome, which is visible through the grill, and then tighten the endcap screws by hand. At this time, installation is complete.



9. Caring for your Speakers

Outdoor speakers are designed to withstand outdoor environments, including incidental exposure to water. They are not designed to be washed using a pressure washer or hose nozzle. If debris accumulates on the housing of the speaker, use a damp sponge or cloth to remove it.

10. Troubleshooting

Should your speakers not work properly, check the following:

No sound from speakers or quiet/strange sound:

- Make certain you observed proper polarity for each speaker. Check the connections at the back of the amplifier, and then at the speakers.
- Most stereo receivers have an A/B speaker selector switch. Make certain that this switch is in the proper position, and that the proper audio source is selected.
- Mute feature or protection mode is activated. Check for short circuits in speaker wiring.

One speaker is playing while the other is not playing or plays quietly:

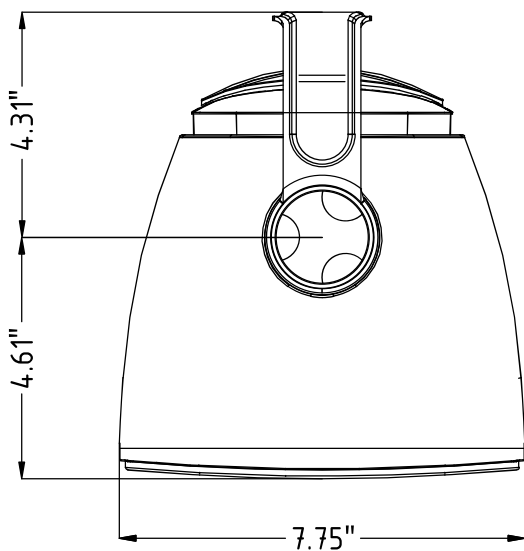
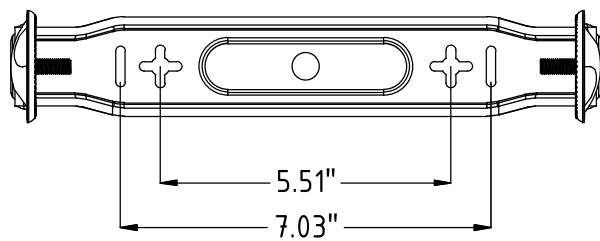
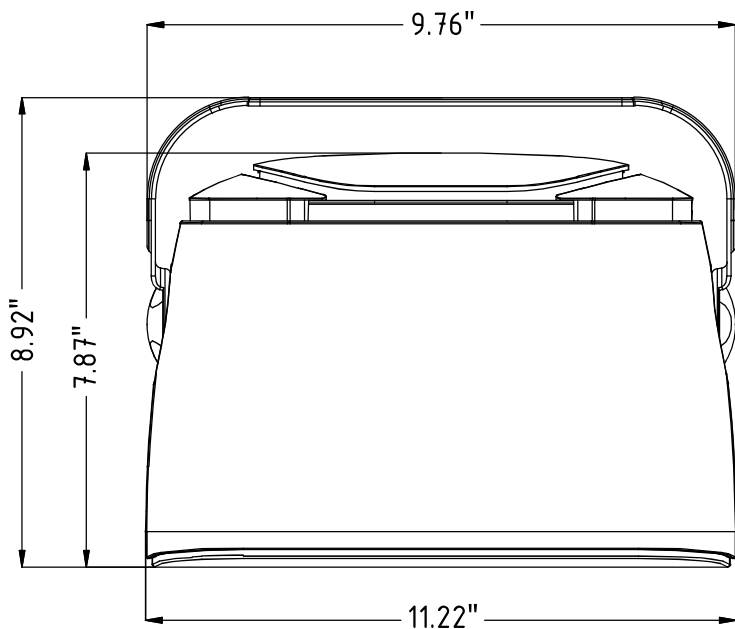
- Check the balance control on the receiver. Make sure it is centered.
- Loose connection at either the receiver or the speaker. Double check connections.
- Bad speaker cable. Replace suspect speaker cable.

Receiver cuts on and off:

- This could be caused by a short circuit between the positive and negative leads. Check the connections at the back of the receiver, and then at the speaker; make sure that no strands of wire from one connector are touching the other connector.

Specifications

Model number:	IO65XT
Description:	6.5" 2-way indoor/outdoor speaker
Woofers:	6.5" polypropylene cone
Tweeter:	1" soft dome
Frequency response:	45-20,000 Hz
Impedance:	8 ohm
70 Volt Taps:	5W, 10W, 20W, 40W
Power handling (8 ohm, RMS/Peak):	50/100W
SPL:	86 dB 2.83v/1M
Dimensions:	11.25"H x 7.9"W x 7.7"D
Weight:	7.6 lbs
Ingress protection rating:	IP65



5-Year Limited Warranty
See daytonaudio.com for details



daytonaudio.com
tel + 937.743.8248
info@daytonaudio.com

705 Pleasant Valley Dr.
Springboro, OH 45066
USA

