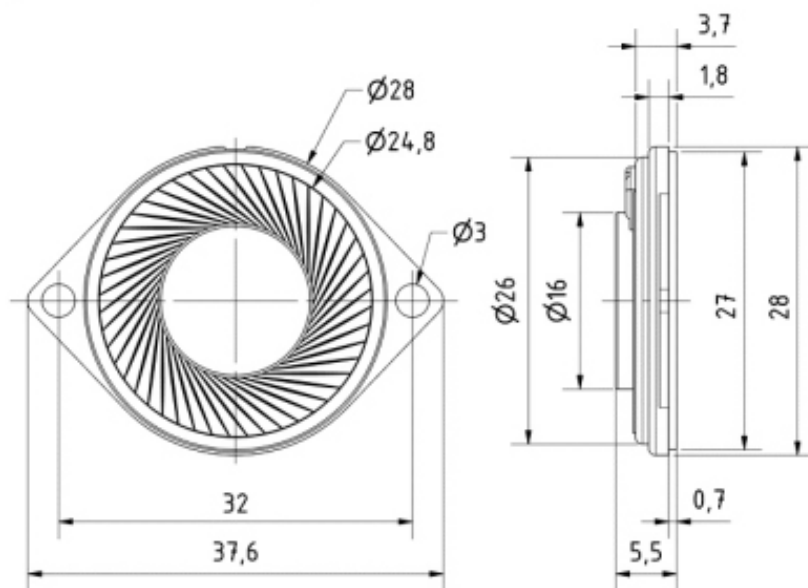


# K28WPCBL (#2806)

## Technical Data

Rated power	1 W
Maximum power	2 W
Nominal impedance Z	8 Ohm
Frequency response	300–20000 Hz
Mean sound pressure level	76 dB (1 W/1 m)
Resonance frequency $f_s$	700 Hz
Voice coil diameter	13.5 mm
Height of winding	2 mm
Net weight	7 g
Protective system	IP 65 *)
Temperature range	-40 ... 70 °C



K 28 WPC BL  
01.12.2017

