



NEW



TiCW 1058Ft

Titanium Ultimate Woofer

Ø 10", Ø 5.1" voicecoil, 8Ω

SPECIFICATIONS

General Data		
Overall Dimensions	DxH	263mmx148.5mm(10.35"x5.84")
Nominal Power Handling (DIN)	P	600W
Transient Power 10ms		3,000W
Sensitivity 2.83V / 1M		86 dB SPL
Frequency Response		See graph
Cone Material		Composite cellular fiber
Net Weight	Kg	7.0 kg

Electrical Data		
Nominal Impedance	Z	8Ω
DC Resistance	Re	6.3Ω
Voice Coil Inductance @ 1KHz	LBM	0.52 mH

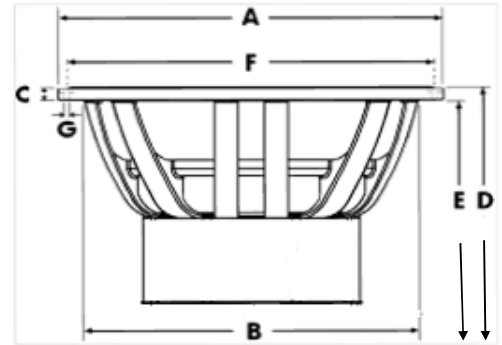
Voice Coil and Magnet Parameters		
Voice Coil Diameter	DIA	130 mm (5.1")
Voice Coil Height		33 mm (1.4")
HE Magnetic Gap Height	HE	12 mm (0.47")
Max. Linear Excursion	X	± 10.5mm (0.45")
Voice Coil bobbin		Titanium
Voice Coil Wire		Hexatech™ Aluminum
Number Of Layers		2
Magnet System Type		High Flux Double Ferrite Vented
B Flux Density	B	0.62 T
BL Product	BXL	15.86 N.A

T-S Parameters		Small Signal	
Suspension Compliance	Cms	0.41 mm/N	
Mechanical Q Factor	Qms	4.95	
Electrical Q Factor	Qes	0.4	
Total Q Factor	Qts	0.37	
Mechanical Resistance	Rms	3.2 kg/s	
Moving Mass	Mms	106 gr	
Eq. Cas Air Load (liters)	VAS	106 Lt.	
Resonant Frequency	Fs	24 Hz	
Effective Piston Area	SD	346 cm ²	

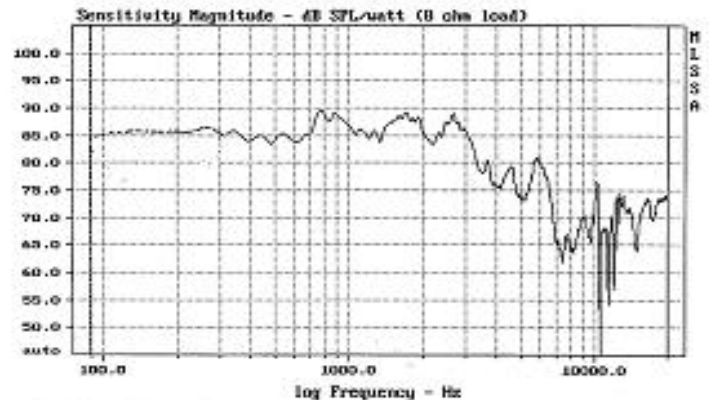
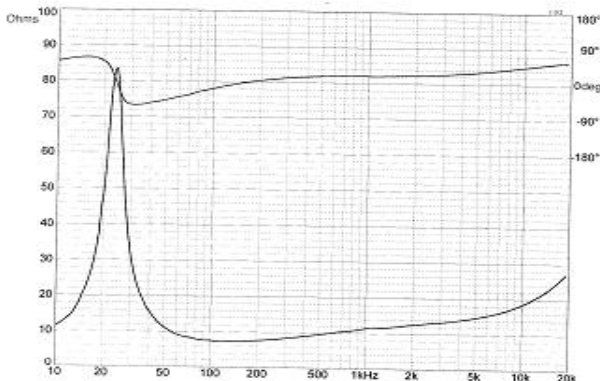
FEATURES

- * Uniflow™ Aluminum diecast chassis
- * High flux double Ferrite magnet system
- * Coppersleeve Neofl™ Motor
- * 5.1" Large Hexatech™ Aluminum voice coil
- * Titanium coil bobbin
- * One piece paper cone/center dome
- * Accucenter™ self centering cone assembly

Unit Dimentions



A - Overall diameter	263mm
B - Cut out diameter	241mm
C - Flange thickness	6.5mm
D - Overall height	148.5mm
E - Basket/magnet depth	142mm
F - Mounting holes location diamet	253mm
G - 6 Mounting holes, at 60° interval, inner hole diameter	Ø 5mm



Measured on IEC baffle using Bruel & Kjaer 3144 model microphone.

Morel operate policy of continuous product design improvement, consequently specifications are subject to alteration without prior notice.