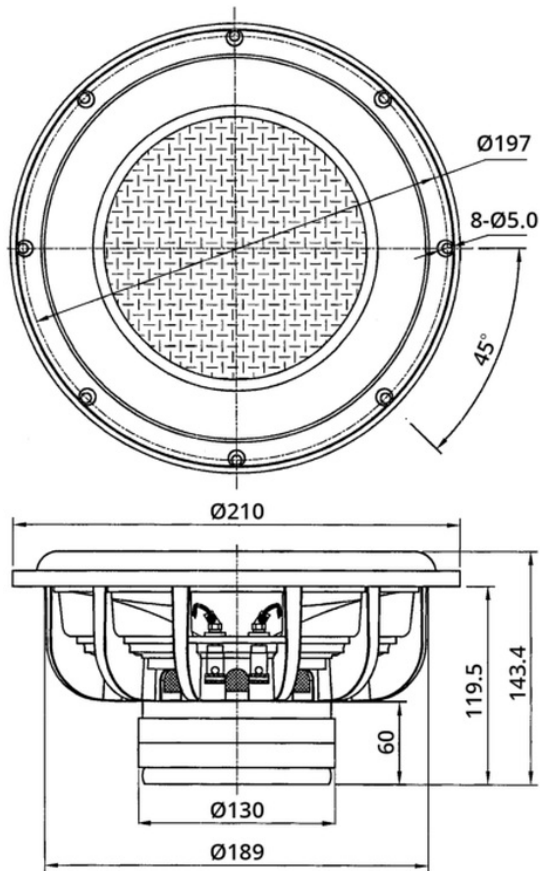




UM8-22 8" Ultimax DVC Subwoofer 2 Ohms Per Coil

UM8-22



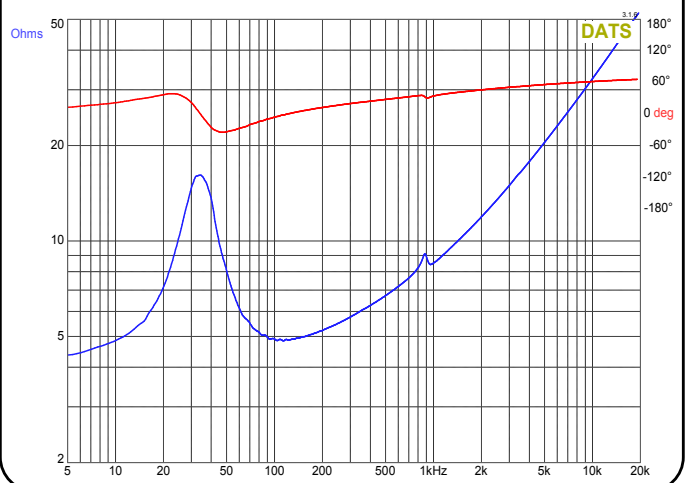
PARAMETERS

Impedance:	2 + 2 ohms
Re:	4.2 ohms
Le:	0.73 mH
Fs:	34.3 Hz
Qms:	2.47
Qes:	0.87
Qts:	0.64
Mms:	81.2g
Cms:	0.27 mm/N
Sd:	211 cm ²
Vd:	336 cm ³
BL:	9.2 Tm
Vas:	16.6 liters
Xmax:	16 mm
VC Diameter:	50.8 mm
SPL:	83.5 dB @ 2.83V/1m
RMS Power Handling:	300 watts
Usable Frequency Range:	30 – 800 Hz

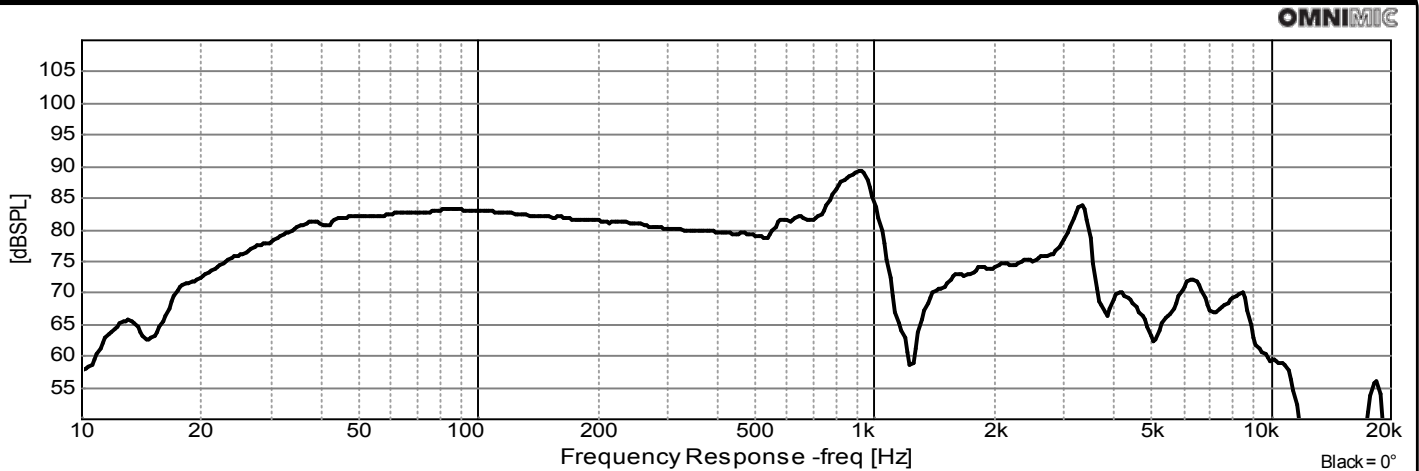
FEATURES

- Thick, one-piece Nomex honeycomb covered cone with woven heavy-duty glass-fiber
- Dual linear stiffness spiders limit distortion and rocking modes
- Tall-boy rubber surround for extra-long linear excursion without reducing cone surface area
- Black anodized aluminum former and black pole improves heat dissipation
- 300 watts RMS power handling

IMPEDANCE/PHASE



FREQUENCY RESPONSE



Note: 1/24th octave smoothing - nearfield response included in graph below 450 Hz.

Note: All parameters derived with voice coils wired in series