

Model Number: TC6FC00-04
Product Line: Peerless Silver

Revision: Rev 2_0
Date: 20-Jun-11

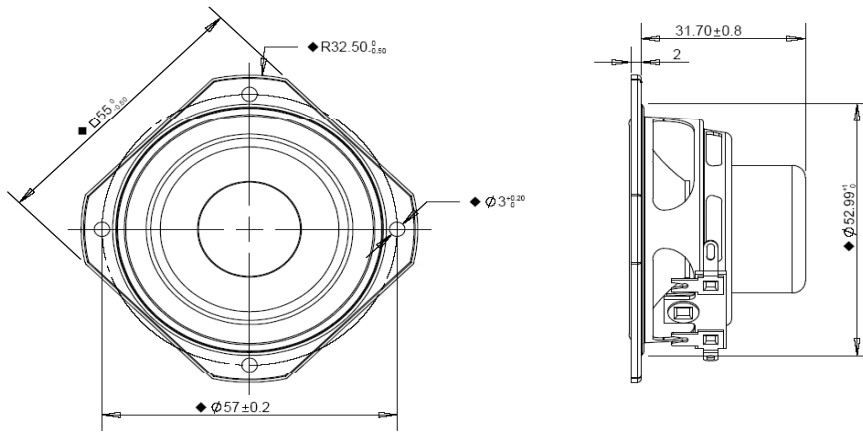


Product Description:

This TC family 2 inch 4 ohm full-range driver, with neodymium magnet, paper cone and rubber surround, and steel basket, is designed to be a cost-effective high performance full range driver. The cone utilizes Tymphany-patented PentaCut NRSC cone technology to help dampen and control cone resonances, optimizing the listening experience. The motor contains a copper cap to lower inductance and distortion. The product was designed with television and other compact applications in mind.



Mechanical 2D Drawing:

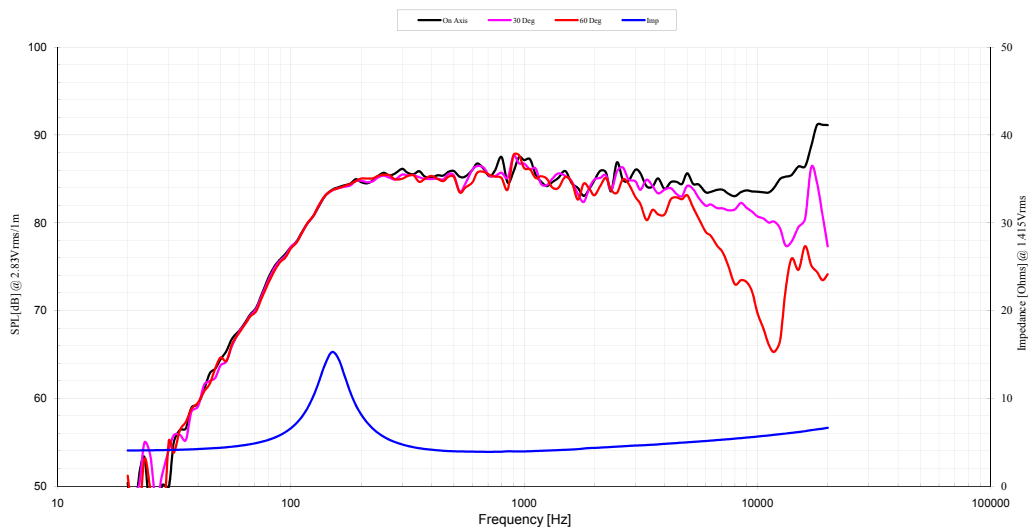


Specifications:

DC Resistance	R_{evc}	Ω	3.4	7.5%	Energy Bandwidth Product	EBP	$(1/Q_{es})f_s$	177
Minimum Impedance	Z_{min}	Ω	3.89	7.5%	Moving Mass	M_{ms}	g	1.2
Voice Coil Inductance	L_e	mH	0.03		Suspension Compliance	C_{ms}	um/N	665
Resonant Frequency	f_s	Hz	181	15.0%	Effective Cone Diameter	D	cm	4.40
Mechanical Q Factor	Q_{ms}	-	3.61		Effective Piston Area	S_D	cm ²	15.2
Electrical Q Factor	Q_{es}	-	1.02		Equivalent Volume	V_{as}	L	0.146
Total Q Factor	Q_{ts}	-	0.80		Motor Force Factor	BL	T·m	2.11
Ratio f_s / Q_{ts}	F	f_s / Q_{ts}	227		Motor Efficiency Factor	β	$(T \cdot m^2) / \Omega$	1.29
Half Space Sensitivity @ 2.83V	dB@2.83V/1m	dB	86.1	+/-1.0 ¹	Voice Coil Former Material	VC _{fm}	-	ASV
Sensitivity @ 1W/1m	1W/1m	dB	82.9	+/-1.0 ¹	Voice Coil Inner Diameter	VC _{id}	mm	19.32
					Gap Height	Gh	mm	3.00
Rated Noise Power (IEC 2685 18.1)	P	W	15		Maximum Linear Excursion	X_{max}	mm	1.00
Test Spectrum Bandwidth	150Hz - 20kHz		12 dB/Oct		Ferrofluid Type	FF		N/A
					Transducer Size	-	inch	2
					Transducer Mass	-	kg	0.08

1 - Piston Band Sensitivity Tolerance

Frequency and Impedance Response:



F088-0713A