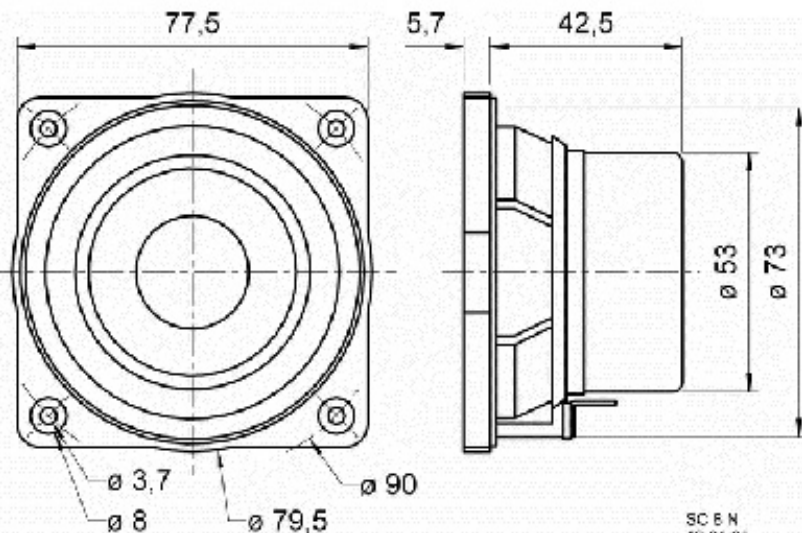


Technical Data:

Rated power	30 W
Maximum power	50 W
Nominal impedance Z	8 Ohm
Frequency response	70–20000 Hz
Mean sound pressure level	81 dB (1 W/1 m)
Maximum cone displacement	6 mm
Resonance frequency fs	97 Hz
Magnetic induction	0,9 T
Magnetic flux	170 μWb
Height of front pole-plate	3 mm
Voice coil diameter	20 mm
Height of winding	6 mm
Cutout diameter	73 mm
Net weight	0,28 kg
D.C. resistance Rdc	7,0 Ohm
Mechanical Q factor Qms	3,68
Electrical Q factor Qes	1,31
Total Q factor Qts	0,97
Equivalent volume Vas	1,5 l
Effective piston area Sd	26 cm²
Dynamically moved mass Mms	1,9 g
Force factor Bxl	2,4 T m
Inductance of the voice coil L	0,3 mH
Heat resistance	-25 ... 70 °C



SC 8 N
15.01.05

Visaton SC 8 N - 8 Ohm

Frequenzgang und Impedanz

