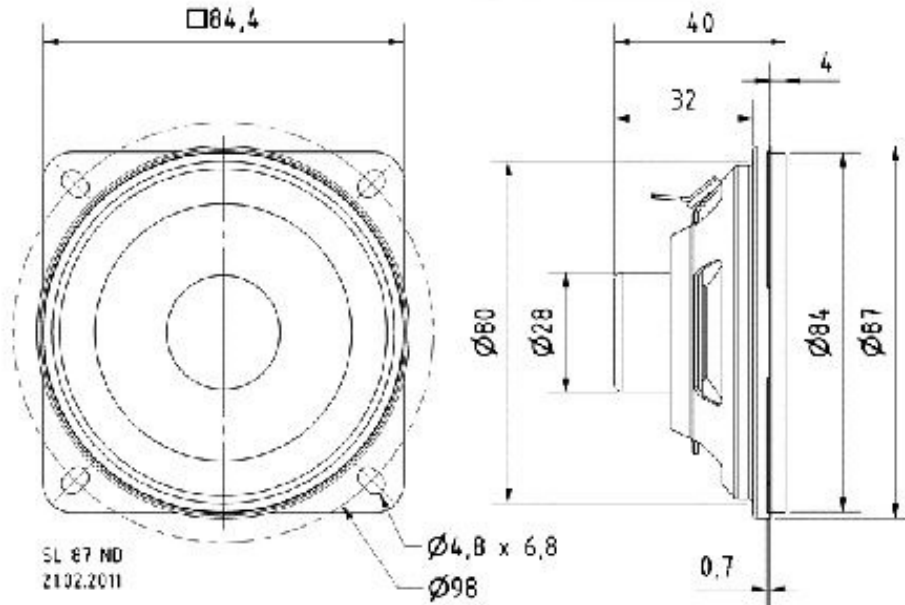


Technical Data:

Rated power	10 W
Maximum power	15 W
Nominal impedance Z	8 Ohm
Frequency response	88–20000 Hz
Mean sound pressure level	88 dB (1 W/1 m)
Opening angle (-6 dB)	132°/4000 Hz
Resonance frequency fs	120 Hz
Voice coil diameter	20 mm
Cutout diameter	80 mm
Net weight	0,11 kg
Connections	4,8 x 0,8 mm (+) 2,8 x 0,8 mm (-)
Temperature range	-40 ... 80 °C



Visaton SL 87 ND - 8 Ohm
Frequenzgang und Impedanz

