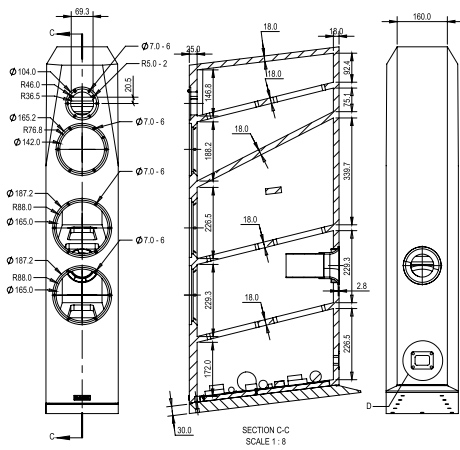
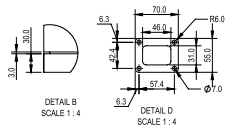


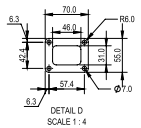
SECTION A-A  
SCALE 1 : 8



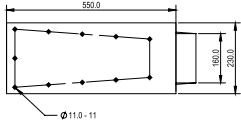
SECTION C-C  
SCALE 1 : 8



DETAIL B  
SCALE 1 : 4



DETAIL D  
SCALE 1 : 4



Ø 11.0 - 11