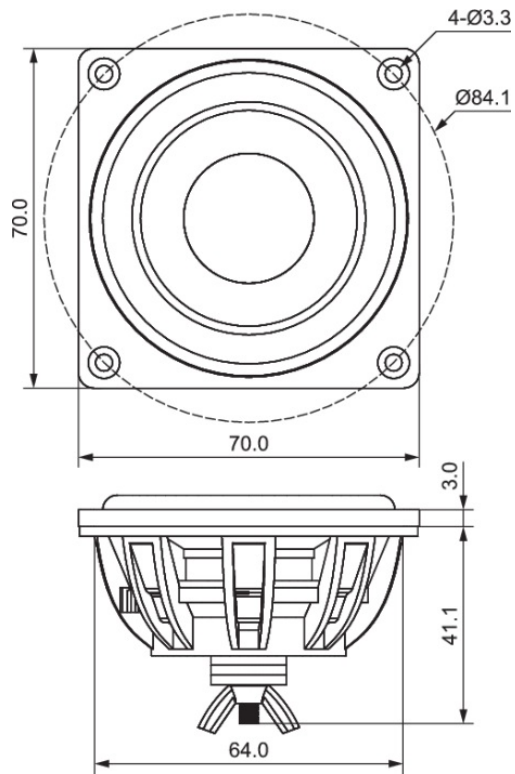




DMA70-PR 2-1/2" DMA Series Passive Radiator



FEATURES

- Perfect match for the Dayton Audio DMA series drivers
- Allows tuning small enclosures lower than possible using conventional ports
- Rear mounted threaded post allows easy mass adjustment for custom tuning
- DIY friendly, oversized mounting flange makes installation simple

PARAMETERS

Fs	34.5 Hz
Qms	3.86
Mms	12.0 g
Cms	1.77 mm/N
Sd	22.9 cm ²
Vd	0.016 liters
Vas	1.32 liters
Xmax	7 mm
Rms	0.67 kg/s

Note: Parameters above are for the passive only with no additional mass added.