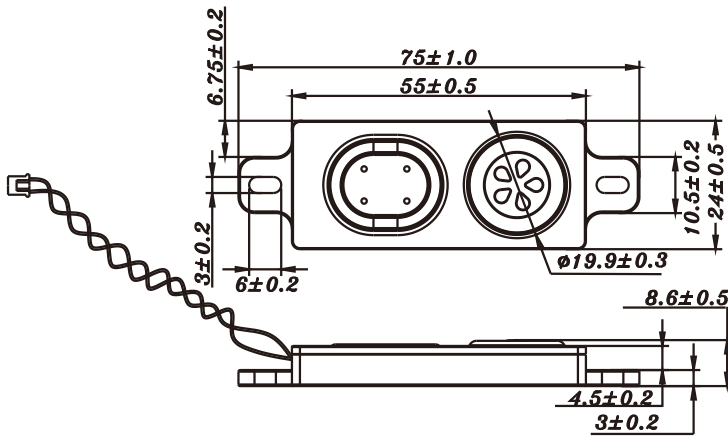


# MODULE

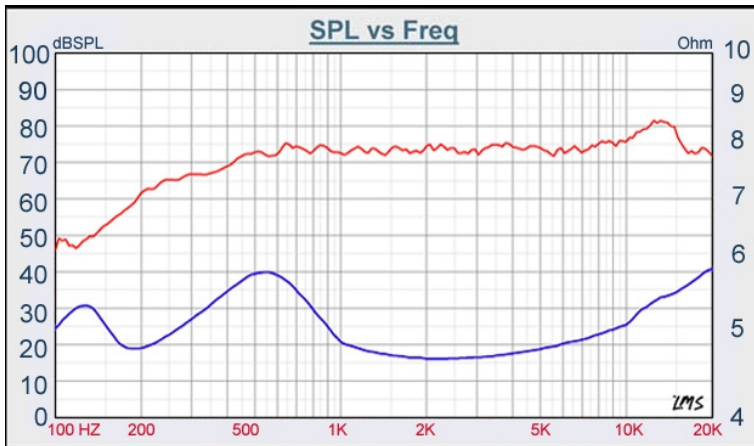
# T0-2008S



- TOTAL SOLUTION FOR AUDIO DESIGN.
- COMBINE DRIVER, PASSIVE RADIATOR AND BOX AS ONE UNIT, PATENTED.
- SLIM AND TINY, LOW BASS FO = 200 Hz.
- MODULE COULD BE RESHAPED TO FIT CUSTOMER'S APPLICATION.
- GOOD FOR PORTABLE, SOUNDBAR, MULTIMEDIA. . . APPLICATION.
- MOUNTING KIT WITH AMPLIFIER IS AVAILABLE.

## SYSTEM SPECIFICATION

SYSTEM	Passive radiator design
ACTIVE DRIVER	20.8mm dome shape driver
DIAPHRAGM	PP composite with elastomer
HOUSING	PP composite material
FINISH	Black
DIMENSIONS	75 x 24 x 8.6 mm
VOICE COIL DIAMETER	11.8 mm
IMPEDANCE	4ohm
POWER LOADING	0.5 W(RMS)
MUSIC POWER	1 W
RESPONSE RANGE	200Hz - 20KHz
SENSITIVITY	73 dB (M / W)
FO	200 Hz
POWER RECOMMENDED	1W (RMS)
DESIGN SUGGESTION	High pass filter with 180 Hz, -12dB/oct



**TB** SPEAKERS

VOICE:886.2.26570282 FAX:886.2.26580166  
E-MAIL :info@tb-speaker.com