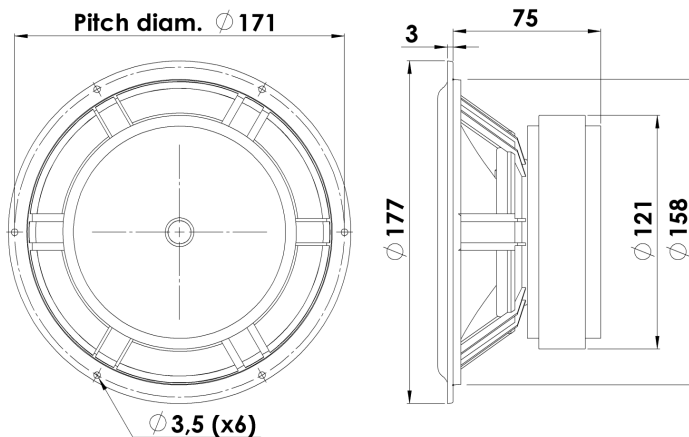




MIDWOOFER

18W/8545K00

The Symmetric Drive (SD-1) concept with copper in the magnet system was invented by Scan-Speak. High-quality magnet system design has thus been a key feature of Scan-Speak design since the companys inception. The Classic woofers are highly praised, and are used in some of the worlds most exceptional high-end Loudspeakers. Some feature Kevlar cones others have the innovative Carbon fibre paper cones.



KEY FEATURES:

- Patented Symmetrical Drive Motor Design
- Air Dried Paper/Carbon Fibre Cone
- 42mm Voice Coil w. fiber glass foil
- Low-Loss linear suspension
- Low Damping SBR Rubber Surround

T-S Parameters

Resonance frequency [fs]	28 Hz
Mechanical Q factor [Qms]	5.20
Electrical Q factor [Qes]	0.30
Total Q factor [Qts]	0.28
Force factor [Bl]	8.2 Tm
Mechanical resistance [Rms]	0.69 kg/s
Moving mass [Mms]	20.5 g
Suspension compliance [Cms]	1.58 mm/N
Effective diaph. diameter [D]	136 mm
Effective piston area [Sd]	145 cm ²
Equivalent volume [Vas]	46.4 l
Sensitivity (2.83V/1m)	87.5 dB
Ratio Bl/√Re	3.50 N/√W
Ratio fs/Qts	99 Hz

Notes:

IEC specs. refer to IEC 60268-5 third edition.
All Scan-Speak products are RoHS compliant.
Data are subject to change without notice.
Datasheet updated: February 22, 2011.

Electrical Data

Nominal impedance [Zn]	8 Ω
Minimum impedance [Zmin]	6.6 Ω
Maximum impedance [Zo]	101 Ω
DC resistance [Re]	5.5 Ω
Voice coil inductance [Le]	0.4 mH

Power Handling

100h RMS noise test (IEC 17.1)	100 W
Long-term max power (IEC 17.3)	- W

Voice Coil and Magnet Data

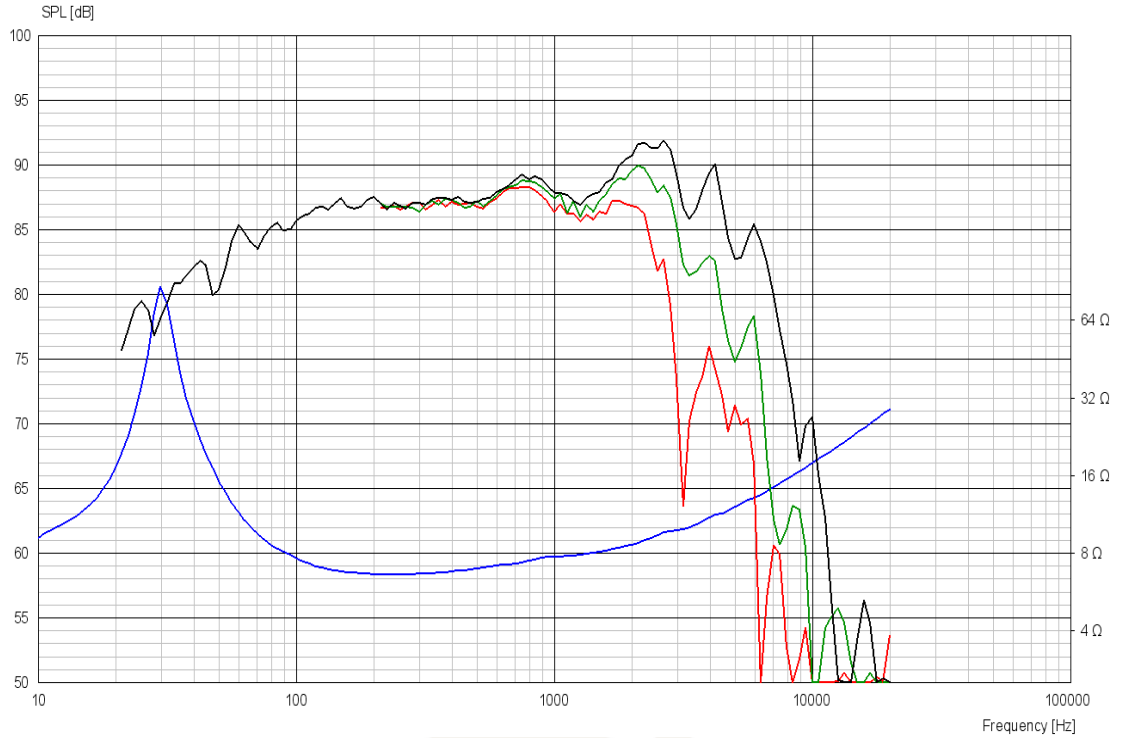
Voice coil diameter	42 mm
Voice coil height	19 mm
Voice coil layers	2
Height of gap	6 mm
Linear excursion	± 6.5 mm
Max mech. excursion	± 10 mm
Unit weight	2.3 kg



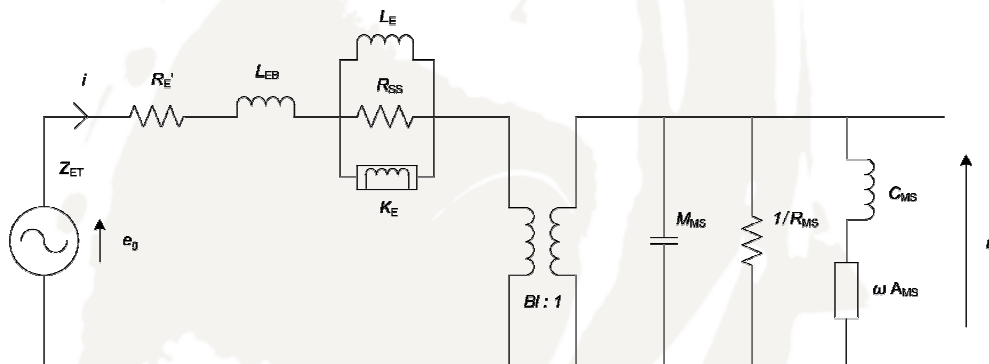
CLASSIC

MIDWOOFER

18W/8545K00



Advanced Parameters (Preliminary)



Electrical data:

Resistance [Re']	5.67 Ω
Free inductance [Leb]	0.127 mH
Bound inductance [Le]	1.18 mH
Semi-inductance [Ke]	0.0355 SH
Shunt resistance [Rss]	1000 Ω

Mechanical Data

Force Factor [Bl]	7.27 Tm
Moving mass [Mms]	20.2 g
Compliance [Cms]	2.16 mm/N
Mechanical resistance [Rms]	0.202 kg/s
Admittance [Ams]	0.269 mm/N

