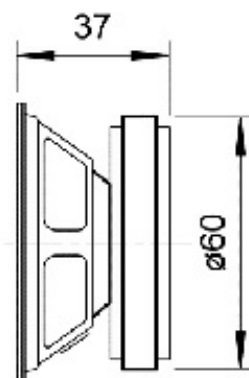
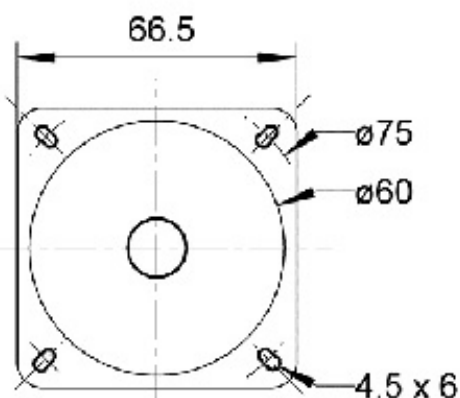


Technical Data:

| | |
|---------------------------------|--------------------|
| Rated power | 8 W |
| Maximum power | 15 W |
| Nominal impedance Z | 8 Ohm |
| Frequency response | 120–20000 Hz |
| Mean sound pressure level | 86 dB (1 W/1 m) |
| Maximum cone displacement | 5 mm |
| Resonance frequency f_s | 160 Hz |
| Magnetic induction | 1,1 T |
| Magnetic flux | 120 μ Wb |
| Height of front pole-plate | 2,5 mm |
| Voice coil diameter | 14 mm |
| Height of winding | 4,5 mm |
| Cutout diameter | 61 mm |
| Net weight | 0,22 kg |
| D.C. resistance R_{dc} | 6,6 Ohm |
| Mechanical Q factor Q_{ms} | 2,08 |
| Electrical Q factor Q_{es} | 0,91 |
| Total Q factor Q_{ts} | 0,63 |
| Equivalent volume V_{as} | 0,78 l |
| Effective piston area S_d | 22 cm ² |
| Dynamically moved mass M_{ms} | 0,9 g |
| Force factor $B \cdot l$ | 2,5 Tm |
| Heat resistance | -25 ... 100 °C |

FRS 7 W
03.01.2007

Visaton FRS 7 W

Frequenzgang und Impedanz

