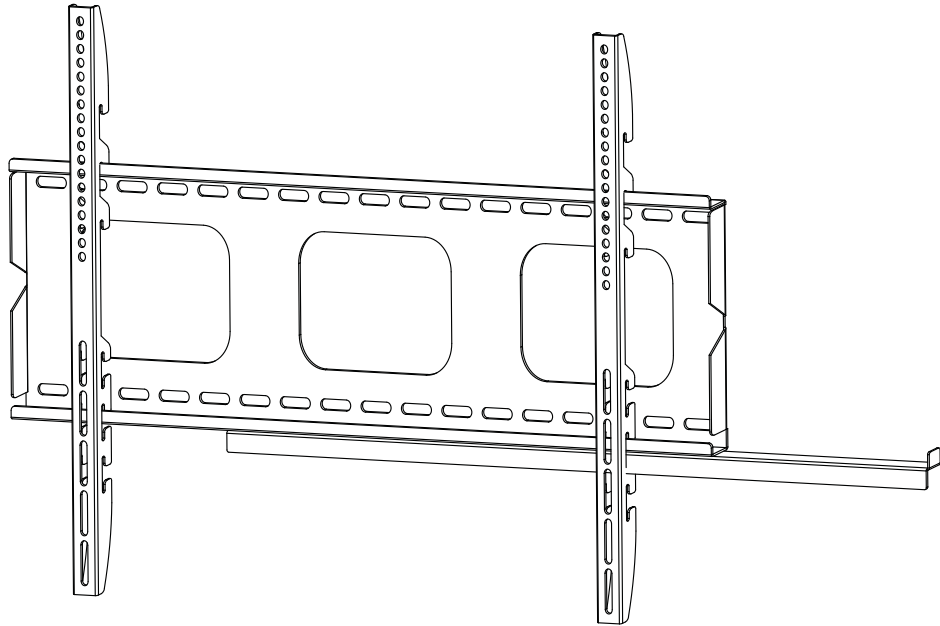


Installation Instruction



UNPACKING INSTRUCTIONS

- Carefully open the carton, remove contents and lay out on cardboard or other protective surface to avoid damage.
- Check package contents against the Supplied Parts List in the next page to assure that all components were received undamaged. Do not use damaged or defective parts.
- Carefully read all instructions before attempting installation.

IMPORTANT SAFETY INFORMATION

Install and operate this device with care. Please read this instruction before beginning the installation, and carefully follow all instructions contained herein. Use proper safety equipment during installation.

Please call a qualified installation contractor for help if you:

- If you don't understand these directions or have any doubts about the safety of the installation.
- If you are uncertain about the nature of your wall, consult a qualified installation contractor.

Do not use this product for any purpose or in any configuration not explicitly specified in this instruction. We hereby disclaims any and all liability for injury or damage arising from incorrect assembly, incorrect mounting, or incorrect use of this product.



WARNING

CAUTION!

This TV mount must be securely attached to the vertical wall. If the mount is not properly installed it may fall, resulting in possible injury and/or damage.

Tools Required

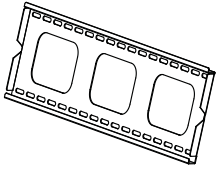
- 3/16" Drill Bit
- Phillips Screwdriver

- 1/2" Masonry Bit
- Stud Finder

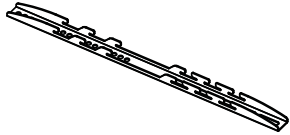
- Wrench or Socket Set
- Carpenter's Level

Note: The mounting components and hardware supplied in this package are not designed for installations to walls with steel studs or to cinder block walls. If the hardware you need for your installation is not included, please consult your local hardware store for proper mounting hardware for the application.

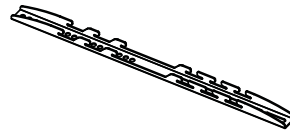
Supplied Parts List



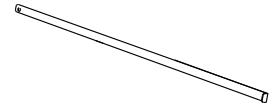
(1)Wall Plate-a



(1)Left Monitor Bracket-b



(1)Right Monitor Bracket-c



(1)Locking Bar-d



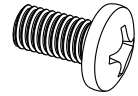
(4)M4x12 Bolt-e



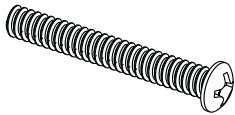
(4)M5x12 Bolt-f



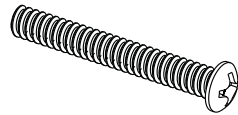
(4)M6x12 Bolt-g



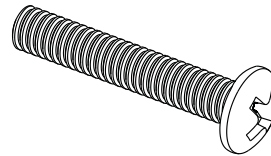
(4)M8x16 Bolt-h



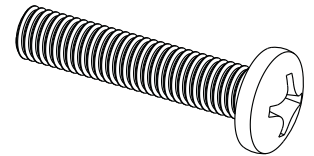
(4)M4x30 Bolt-i



(4)M5x30 Bolt-j



(4)M6x35 Bolt-k



(4)M8x40 Bolt-l



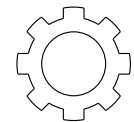
(4)M4 Lock Washer-m



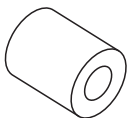
(4)M5 Lock Washer-n



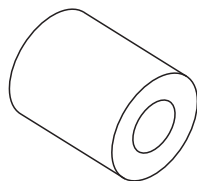
(4)M6 Lock Washer-o



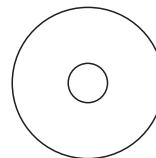
(4)M8 Lock Washer-p



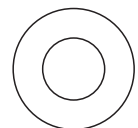
(4)M4/M5 Space-q



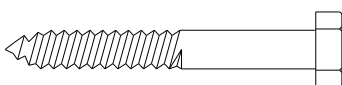
(4)M6/M8 Space-r



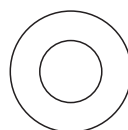
(8)M4/M5 Washer-s



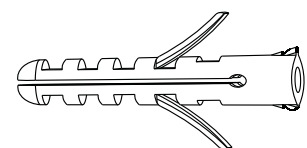
(4)M6/M8 Washer-t



(6)Lag Bolt-u



(6)Lag Bolt Washer-v

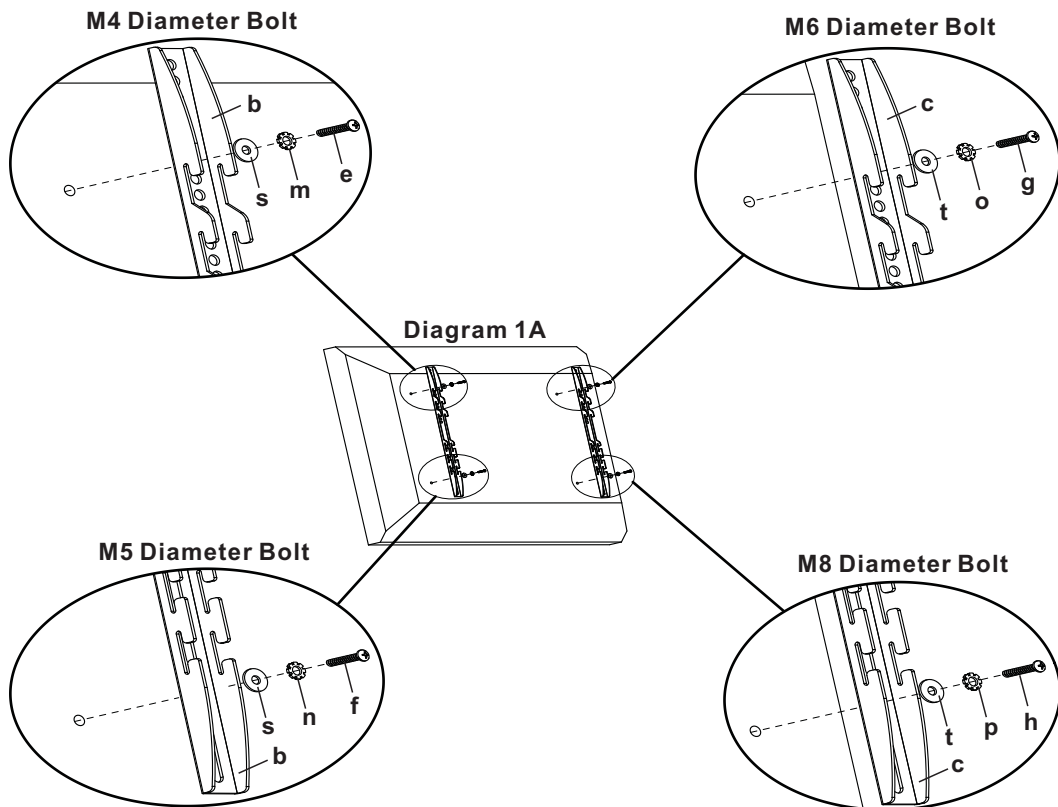


(6)Concrete Anchor-w

Step 1A

Mounting the Monitor Brackets to a TV with Flat Back

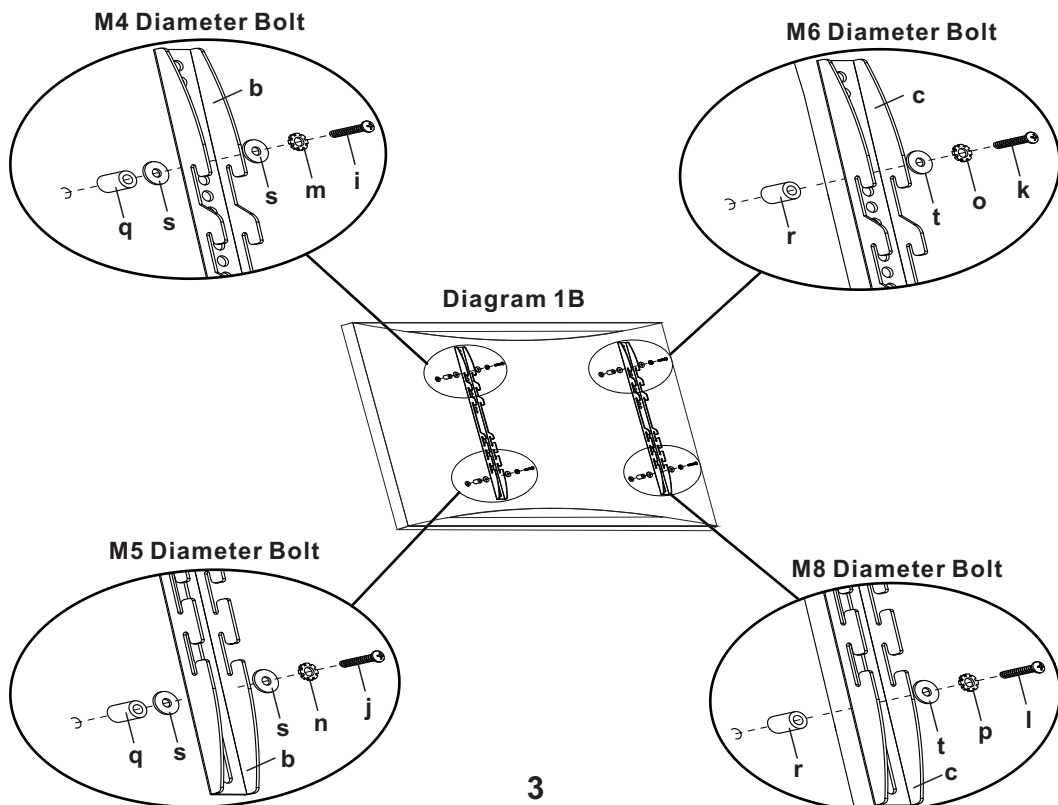
First of all, make sure the diameter of the Bolt(e,f,g,h) your TV requires. Once you have determined the correct diameter, please see the relative diagram as below. You will thread the Bolt into the TV using the correct Lock Washer(m,n,o,p) and Washer(s,t). Please make sure the Monitor Brackets(b,c) are vertically centered and level with each other.



Step 1B

Mounting the Monitor Brackets to a TV with Curved Back

First of all, make sure the diameter of the Bolt(i,j,k,l) your TV requires. Once you have determined the correct diameter, please see the relative diagram as below. You will thread the Bolt into the TV using the correct Lock Washer(m,n,o,p), Washer(s,t) and spacer(q,r). For the M4 or M5 diameter bolt, you will need another M4/M5 Washer between the Monitor Bracket and the Spacer. Please make sure the Monitor Brackets are vertically centered and level with each other.



Step 2

Mounting the Wall Plate to the Wall

Brick, Solid Concrete and Concrete Block mounting:

Use the Wall Plate(a) as a template to mark 6 hole locations on the wall. Three in the top row of slots and three more in the bottom row. Make sure these holes are level and there is at least 6" distance between any two holes. Pre-Drill these holes with a 1/2" masonry bit to at least 2.5" in depth. Insert a Concrete Anchor(w) into each of these holes. Make sure the anchor is seated completely flush with the concrete surface even if there is a layer of drywall or other material in front. Attach the Wall Plate to the wall using 6pcs Lag Bolts(u) and 6pcs Lag Bolt Washers(v), shown in Diagram 2A.

Wood Stud mounting:

The Wall Plate(a) **must be mounted to two wood studs at least 16" apart**. Use a stud finder to locate two adjacent studs. It is a good idea to verify where the studs are located with an awl or thin nail shown in Diagram 2B. Pre-drill a 2.5" deep hole at the desired height in each stud using a 3/16" drill bit. Make sure these holes are in the center area of the studs and level with each other. Use the Wall Plate as a template to mark the location of the second hole in each stud. Drill 2.5" deep holes using the 3/16" drill bit in the marked locations. Attach the Wall Plate to the wall using the 4pcs Lag Bolts(u) and 4pcs Lag Bolt Washers(v).

Diagram 2A

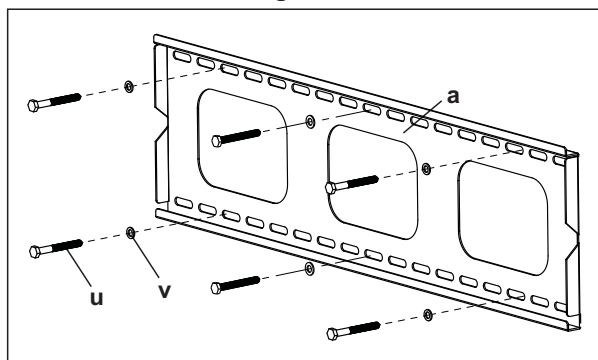
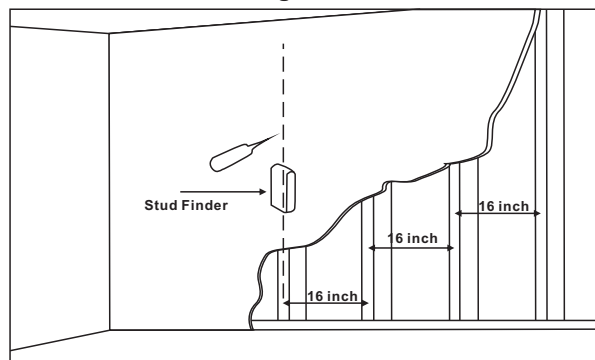


Diagram 2B



Step 3

Attaching Monitor to Wall Plate and Insert the Locking Bar

Warning: Some TVs may require two people to lift! We are not responsible for personal injury or product damage.

First choose the desired vertical height you want, then hook the Monitor Brackets(b,c) over the top of the wall Plate(a) as shown in the Diagram 3A. Insert the Locking Bar(d) into the slots in the bottom of the Monitor Brackets so that it sits behind the bottom tab on the Wall Plate. Once the Locking Bar passes out from the other side of wall plate, a padlock can be added for additional security. Details see Diagram 3B.

Diagram 3A

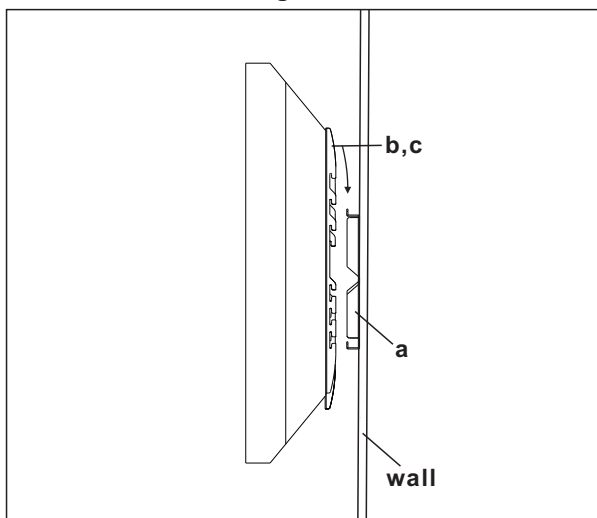
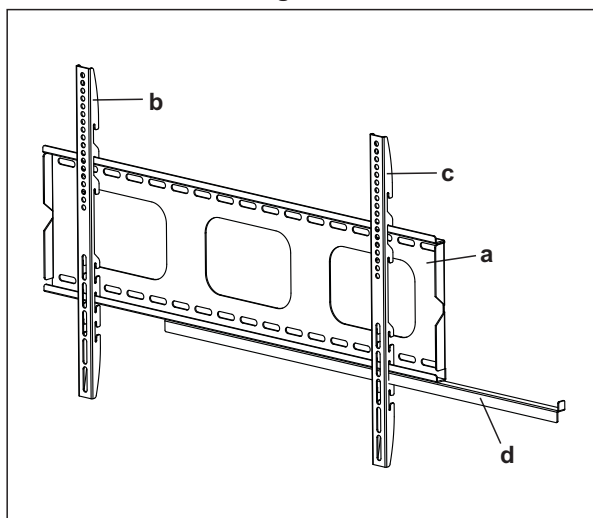


Diagram 3B



Thanks for choosing our products, enjoy the using.