

## Features :

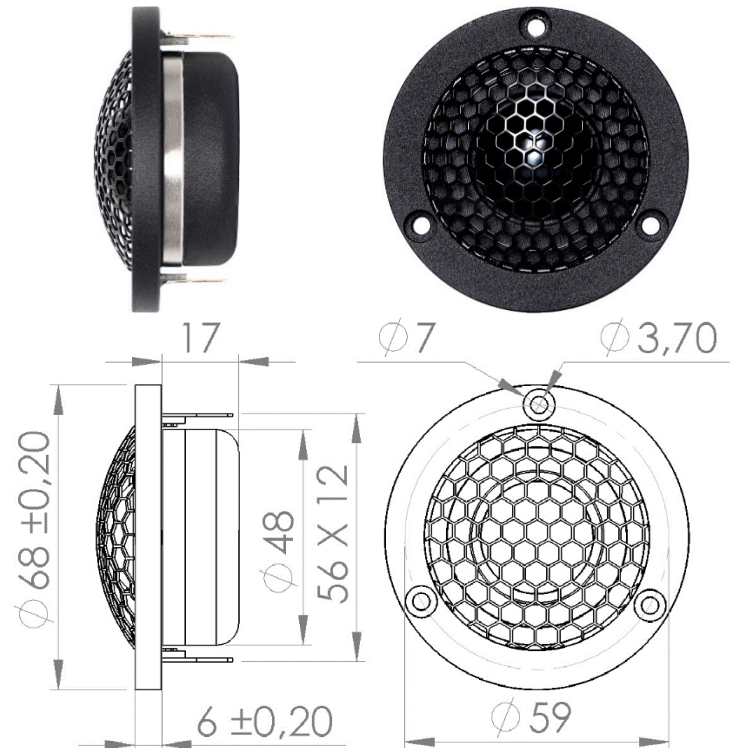
- 25mm aluminium-magnesium alloy dome with variable thickness for ultrasonic first breakup mode
- Extremely low moving mass for better transient response and higher efficiency
- Fully saturated neodymium motor with copper sleeve for low non linear and modulation distortion
- 2mm linear excursion and large vent channel for undistorted low frequency operation
- Narrow surround for less "soft dome" coloration

- Flush mounted surround and rear mounted magnet system for flat frequency response and wide off-axis response
- No ferrofluid for improved dynamics
- Underhung voice coil wound on titanium former
- Flexible and lightweight lead wires made in Denmark
- Thick aluminium powder coated flange
- Aluminium rear chamber with natural wool damping
- Gold plated wire terminals
- Recommended frequency range 2.2kHz-35kHz

Specifications are subject to change without prior notice

## Specifications :

Nominal impedance	6 Ω
Rated power handling*	100 W
Sensitivity 2.83V/1m	91.5 dB
Net weight	0.23 kg
Effective piston area, Sd	5.7 cm <sup>2</sup>
Moving mass, Mms	0.12 g
Force factor, Bl	2.6 T*m
Resonance frequency, Fs	980 Hz
Mechanical Q factor, Qms	1.35
Electrical Q factor, Qes	0.82
Total Q factor, Qts	0.51
Magnetic flux density	2.0 T
Air gap height	3 mm
Linear excursion (p-p)	2 mm
Voice coil diameter	24 mm
Voice coil height	1.0 mm
Voice coil layers	2
Voice coil inductance, Le	0.008 mH
DC resistance, Re	5.2 Ω
Wire material	CCAW



\* IEC 268-5, 2nd order high-pass Butterworth filter, 2.5 kHz

