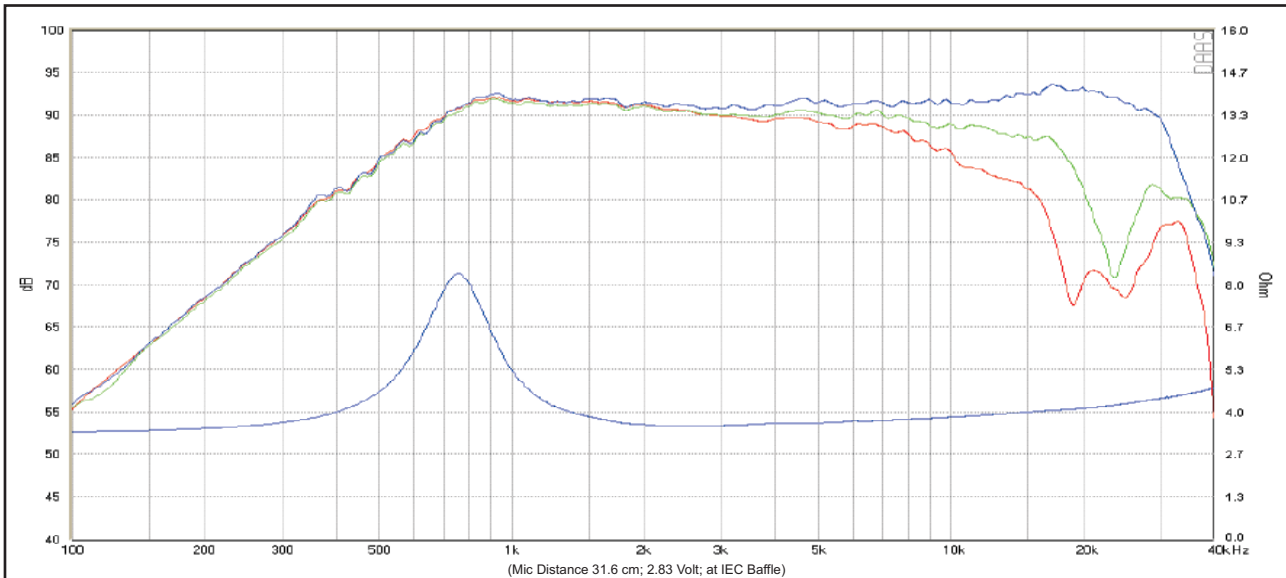
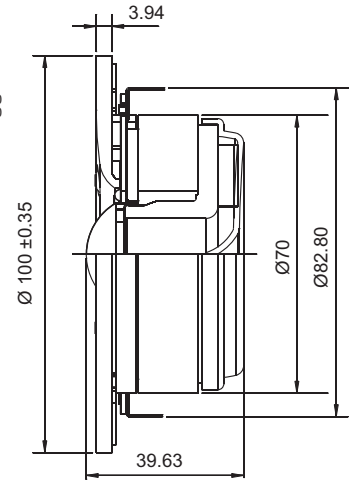
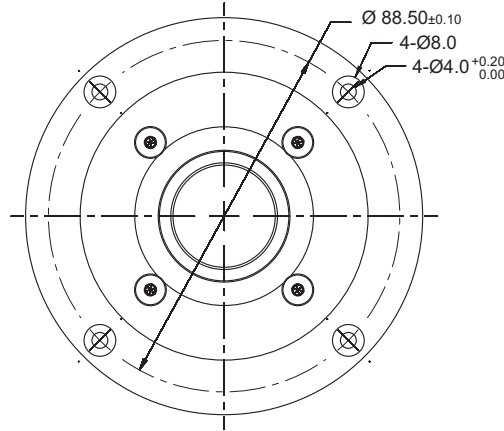
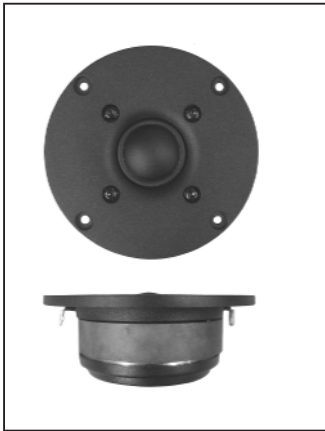


ACOUSTICS

SB26STAC-C000-4

Preliminary data



Response Curve :

— (Blue) : on axis — (Green) : 30 off-axis — (Red) : 60 off-axis

Specs :

Nominal Impedance	4 Ω	Free air resonance, Fs	750 Hz
DC resistance, Re	3.2 Ω	Sensitivity (2.83 V/1m)	91 dB
Voice coil inductance, Le	0.04 mH	Mechanical Q-factor, Qms	2.5
Effective piston area, Sd	6.2 cm ²	Electrical Q-factor, Qes	1.7
Voice coil diameter	25.4 mm	Total Q-factor, Qts	1.0
Voice coil height	1.3 mm	Force factor, Bl	1.6 Tm
Air gap height	2.5 mm	Rated power handling*	120 watt
Linear coil travel (p-p)	1.2 mm	Magnetic flux density	1.15 T
Moving mass incl. air, Mms	0.3 g	Magnet weight	0.22 kg
		Net weight	0.53 kg

* (IEC 268-5, Via High Pass Butterworth Filter 2500Hz 12 dB/oct.