



TiCW 1258Ft

Titanium Ultimate Woofer

Ø 12", Ø 5.1" voicecoil, 8Ω



SPECIFICATIONS

General Data

Overall Dimensions	DxH	305mmx146.3mm(12"x6.07")
Nominal Power Handling (DIN)	P	600W
Transient Power 10ms		3000W
Sensitivity 2.83V / 1M		88dB
Frequency Response		Ssee Graph
Cone Material		Composite cellular fiber
Net Weight	Kg	7.0Kg

Electrical Data

Nominal Impedance	Z	8.0 Ohm
DC Resistance	Re	6.4 Ohm
Voice Coil Inductance @ 1KHz	LBM	0.62mH

Voice Coil and Magnet Parameters

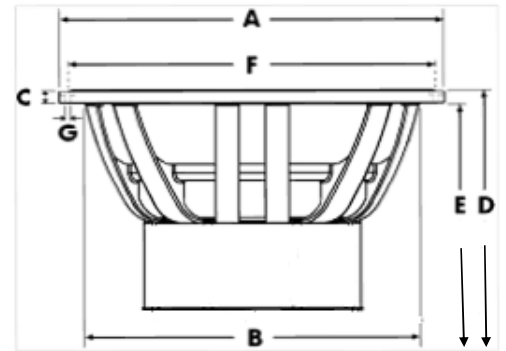
Voice Coil Diameter	DIA	130 mm (5.1")
Voice Coil Height		33 mm (1.34")
HE Magnetic Gap Height	HE	12 mm (0.47")
Max. Linear Excursion	X	10.5 mm (0.41")
Voice Coil bobbin		Tiitanium
Voice Coil Wire		Hexatech™ Aluminum
Number Of Layers		2
Magnet System Type		High Flux Double Ferrite Vented
B Flux Density	B	0.60T
BL Product	BXL	15.25 N.A

T-S Parameters

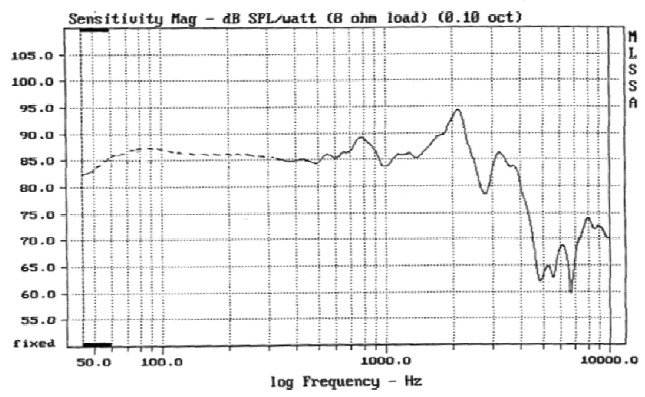
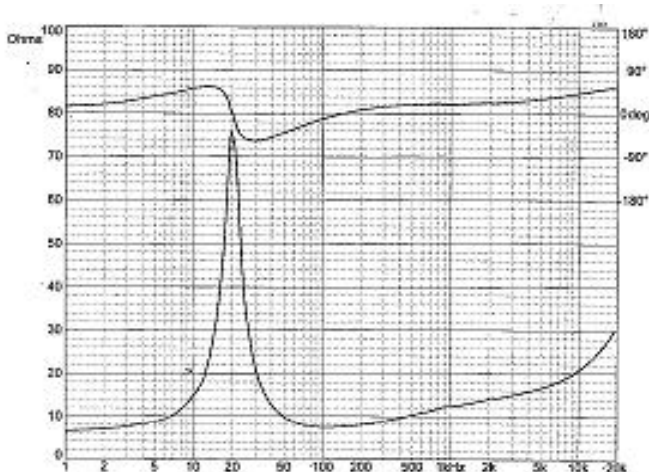
Suspension Compliance	Cms	0.60 mm/N
Mechanical Q Factor	Qms	4.03
Electrical Q Factor	Qes	0.38
Total Q Factor	Qts	0.34
Mechanical Resistance	Rms	3.25 Kg/s
Moving Mass	Mms	110 Gr
Eq. Cas Air Load (liters)	VAS	170 Lit (6.02 cu.ft)
Resonant Frequency	Fs	19 Hz
Effective Piston Area	SD	437 cm ²

FEATURES

- * Uniflow™ Aluminum diecast chassis
- * High flux double Ferrite magnet system
- * Coppersleeve Neolin Motor
- * 5.1" Large Hexatech™ Aluminum voice coil
- * Titanium coil bobbin
- * One piece paper cone/center dome
- * Accucenter™ self centering cone assembly



A - Overall diameter	305 mm (12.0")
B - Cut out diameter	270 mm (10.6")
C - Flange thickness	6.3 mm (0.24")
D - Overall height	150 mm (5.9")
E - Basket/magnet depth	143 mm (5.62")
F - Mounting holes location diameter	292 mm (11.4")
G - 6 Mounting holes, at 60° interval, inner hole diameter	Ø 6mm (0.23")



Measured on IEC baffle using Bruel & Kjaer 3144 model microphone.

Morel operate policy of continuous product design improvement, consequently specifications are subject to alteration without prior notice.