

KMQ SERIES

high voltage electrolytic capacitors for power supplies by UCC

- **GENERAL INFORMATION**

Type	: Electrolytic Capacitor.
Dielectric	: Aluminum Oxide on Anode Foil.
Construction	: Round Tubular Type Metal Can, Radial Leads.
Coating	: Brown Vinyl Tube Wrapped.
Electrodes	: Paper Electrolyte on Cathode Foil.
Leads	: Tinned Pure Copper.

- **TECHNICAL DATA**

Capacitance Range	: 10 ... 100 μ F, , \pm 20 %. (see specifications for details)
Dielectric Constant	: 7 er, polar dielectric.
Dielectric Absorption Factor	: Less than 5 % @ 20° C.
Equivalent Series Resistance	: Low (see specifications for details)
Self Inductance	: Low
Dissipation Factor	: Low (see specifications for details)
Temperature Range	: -40° C to +105° C.
Test Voltage	: 1.5 x Vr for 2 sec.
Rated Voltage	: 450 VDC.
Lug Terminals Dimensions	: (see specifications for details)

- **FEATURE**

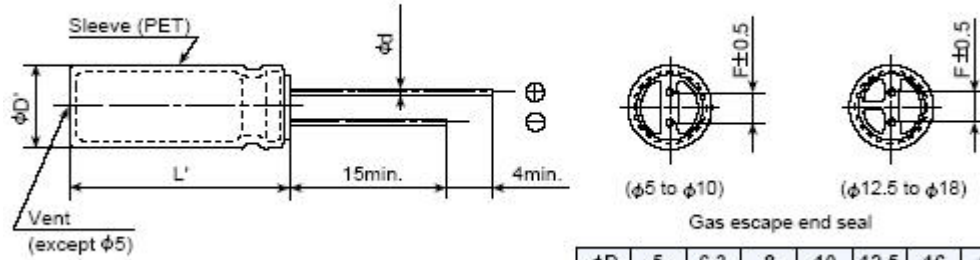
High Quality Sound.
Low Loss.
Good Current Capacity.
High Frequency and Temperature Stability.
Good Long Term Mechanical Reliability.
Very Long Life Time.

- **ELECTRICAL PERFORMANCE**

Low Dielectric Absorption Factor.
Low Equivalent Series Resistance
Low Self Inductance.
Low Dissipation Factor.
High Insulation Resistance.

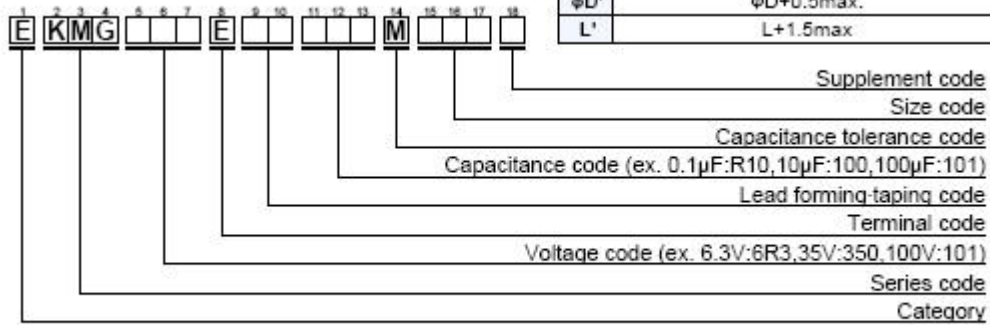
◆ DIMENSIONS [mm]

● Terminal Code : E



ϕD	5	6.3	8	10	12.5	16	18
ϕd	0.5	0.5	0.6	0.6	0.6	0.8	0.8
F	2.0	2.5	3.5	5.0	5.0	7.5	7.5
$\phi D'$	$\phi D + 0.5 \text{ max.}$						
L'	$L + 1.5 \text{ max.}$						

◆ PART NUMBERING SYSTEM



Please refer to "A guide to global code (radial lead type)"

Dissipation Factor (%) +20%

Dimensions (mm) +5%

KMQ 450Vdc.

P/N	Capacitance/DF	VDC	D x L
KMQ451E100	10 mfd .03	450	10 x 20
KMQ451E220	22 mfd .03	450	13 x 25
KMQ451E470	47 mfd .03	450	16 x 32
KMQ451E101	100 mfd .03	450	18 x 40