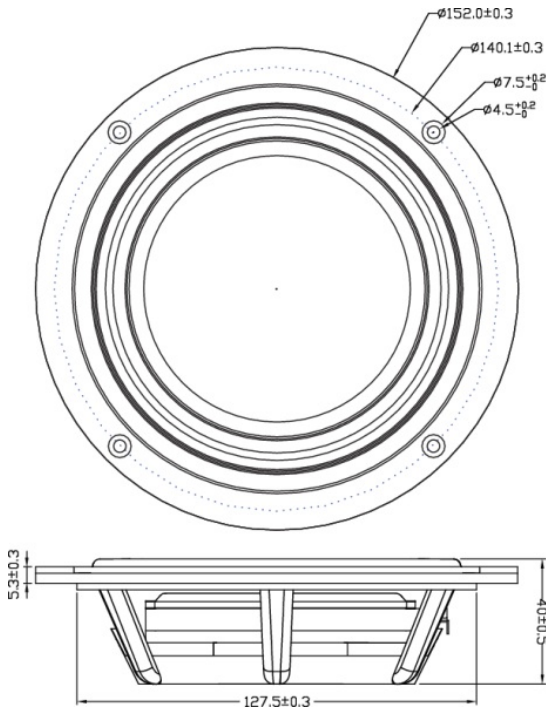




LW150-4 6" Low Profile Woofer 4 Ohms

LW150-4



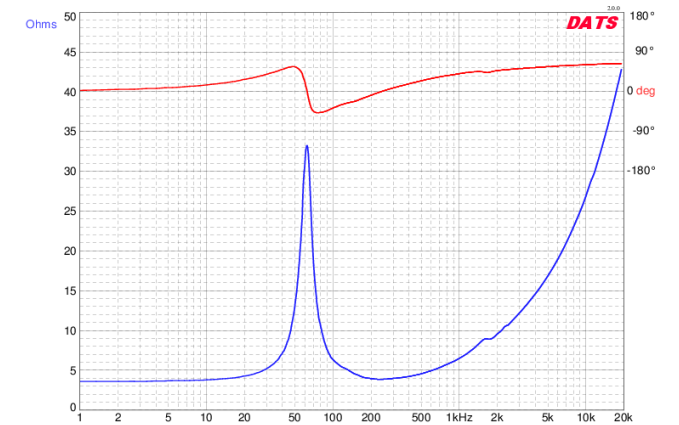
PARAMETERS

Impedance	4 ohms
Re	3.6 ohms
Le	0.86 mH @ 1 kHz
Fs	62.6 Hz
Qms	6.01
Qes	0.72
Qts	0.64
Mms	21.9g
Cms	0.3 mm/N
Sd	91.6 cm ²
Vd	36.6 cm ³
BL	6.52 Tm
Vas	3.49 liters
Xmax	4 mm
VC Diameter	31.8 mm
SPL	86.1 dB @ 2.83V/1m
RMS Power Handling	40 watts
Usable Frequency Range (Hz)	60 - 1,800 Hz

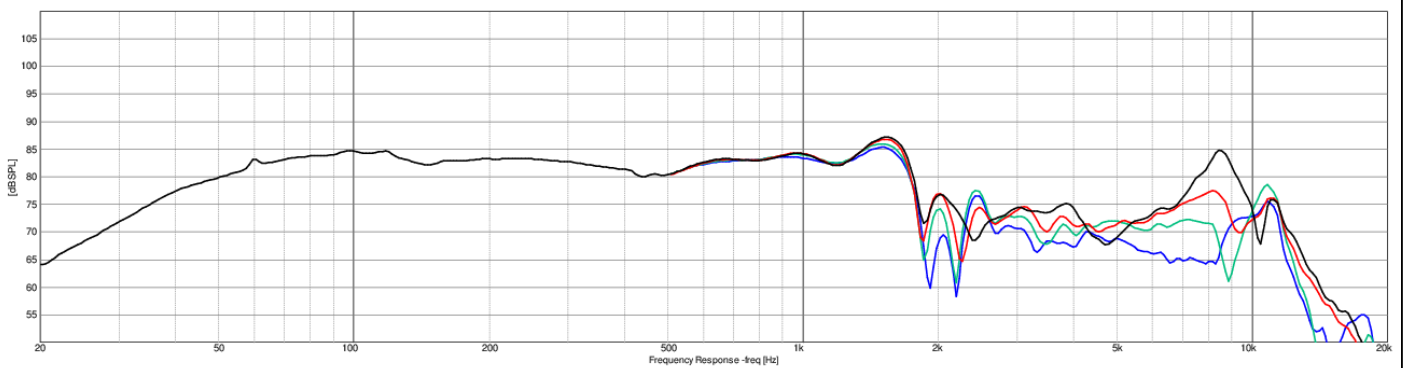
FEATURES

- Very low profile woofer fits in tight spots
- Flat woven glass-fiber/honeycomb aluminum composite cone
- Dual sandwiched spiders and S-shaped surround enhance linear travel capability
- Large 1-1/4" 4-layer voice coil and optimized T-pole gap geometry
- Peripheral holes in spider landing enable zero-clearance venting in shallow enclosures

IMPEDANCE/PHASE



FREQUENCY RESPONSE



Note: 1/24th octave smoothing - nearfield response included in graph below 450 Hz.

Black = 0°
 Red = 15°
 Green = 30°
 Blue = 45°