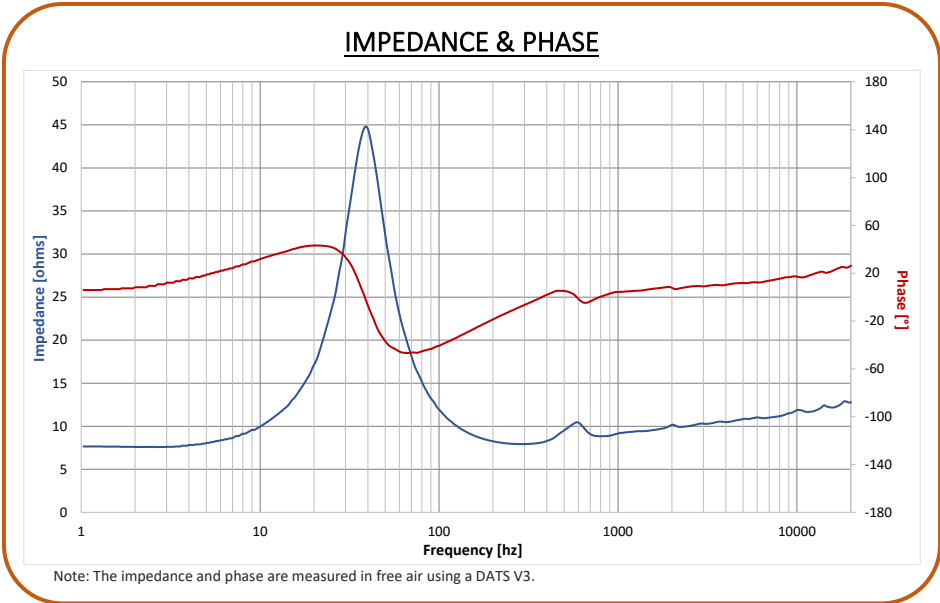
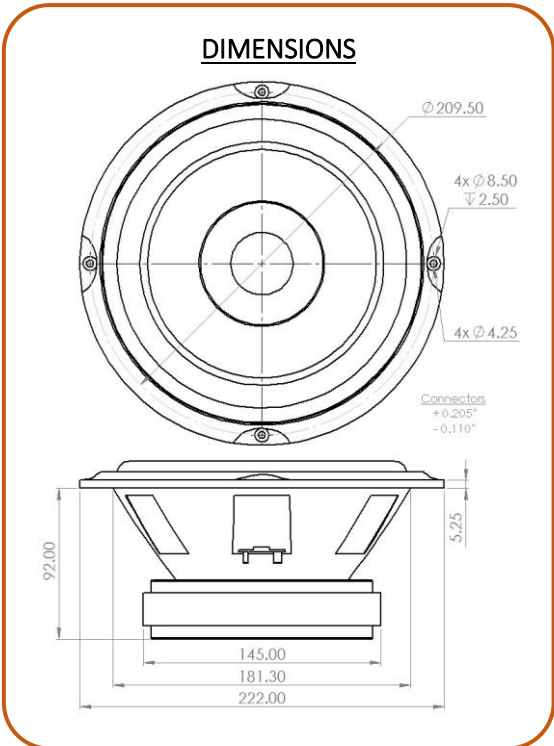




MODEL : FR222B8-19F

TYPE : Fullrange driver

- ### FEATURES
- Wood cone
 - Rubber surround
 - Cast frame
 - Aluminum phase plug



PARAMETERS

Fs	39 Hz
Impedance	8 ohms
Re	7.60 ohms
Qms	1.99
Qes	0.41
Qts	0.34
Vas	47.64 liters
Le	0.81 mH @ 1kHz
SPL	90.5 dB @ 2.83V/1m
Mms	21.46 g
Cms	0.78 mm/N
BL	9.94
Xmax	6.0 mm
RMS Power Handling	40 W
Sd	208.67 mm ²
Usable Frequency Range	Fs - 20,000 Hz

Note : T/S Parameters measured on drive units that are broken in.

