

Model Number: TC6FD00-04
Product Line: Peerless Silver

Revision: Rev 1_0
Date: 17-May-10

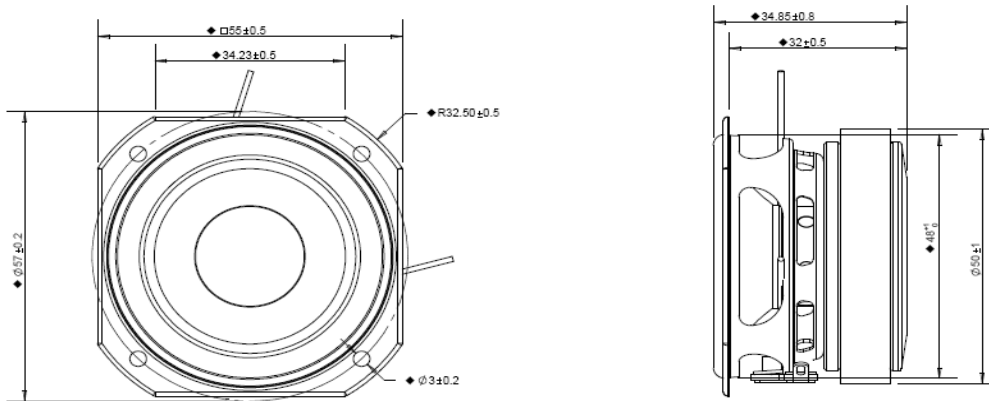


Product Description:

This TC family 2 inch 4 ohm full-range driver, with ferrite magnet, paper cone and rubber surround, and steel basket, is designed to be a cost-effective high performance full range driver. The cone utilizes Tymphany patented PentaCut NRSC cone technology to help dampen and control cone resonances, optimizing the listening experience. The motor contains a copper cap to lower inductance and distortion. The product was designed with television and other compact applications in mind.



Mechanical 2D Drawing:



Specifications:

DC Resistance	R_{evc}	Ω	3.5	5.0%	Energy Bandwidth Product	EBP	$(1/Q_{es})f_s$	136
Minimum Impedance	Z_{min}	Ω	4.09	7.5%	Moving Mass	M_{ms}	g	1.22
Voice Coil Inductance	L_e	mH	0.02		Suspension Compliance	C_{ms}	um/N	677.0
Resonant Frequency	f_s	Hz	175	15.0%	Effective Cone Diameter	D	cm	4.4
Mechanical Q Factor	Q_{ms}	-	4.1		Effective Piston Area	S_D	cm ²	15.2
Electrical Q Factor	Q_{es}	-	1.29		Equivalent Volume	V_{as}	L	0.22
Total Q Factor	Q_{ts}	-	0.98		Motor Force Factor	BL	T·m	1.92
Ratio f_s / Q_{ts}	F	f_s / Q_{ts}	178		Motor Efficiency Factor	β	$(T \cdot m^2) / \Omega$	1.04
Half Space Sensitivity @ 2.83V	$dB @ 2.83V/1m$	dB	84.4	$\pm 1.0^1$	Voice Coil Former Material	VC _{fm}	-	Aluminium
Sensitivity @ 1W/1m	$1W/1m$	dB	81.5	$\pm 1.0^1$	Voice Coil Inner Diameter	VC _{id}	mm	19.32
					Gap Height	Gh	mm	3.00
Rated Noise Power (IEC 2685 18.1)	P	W	15		Maximum Linear Excursion	X_{max}	mm	1.00
Test Spectrum Bandwidth	150Hz - 20kHz		12 dB/Oct		Ferrofluid Type	FF	N/A	
					Transducer Size	-	inch	2.00
					Transducer Mass	-	kg	0.17

1 - Piston Band Sensitivity Tolerance

Frequency and Impedance Response:

