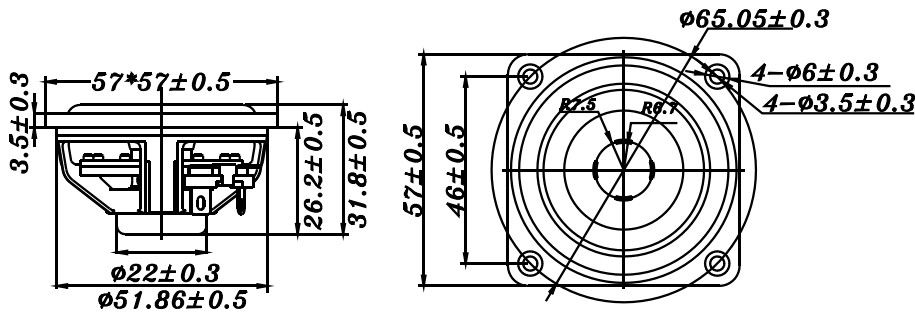


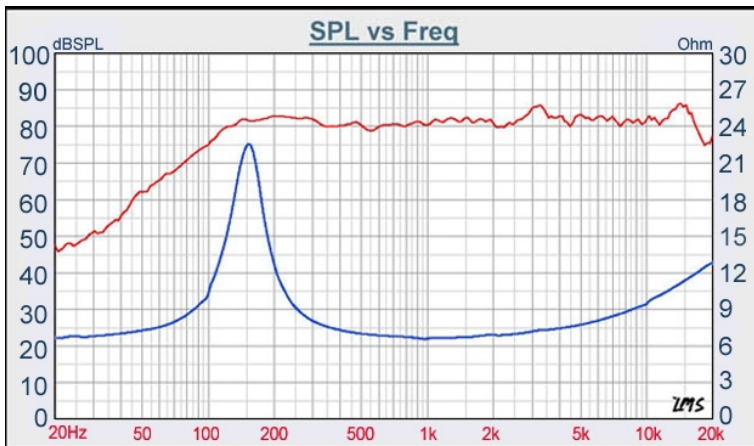
# F SERIES

# W2-1803S



- FULL RANGE SPEAKER DESIGN
- PP CONE WITH SANTOPRENE SURROUND
- NEODYMIUM MAGNET SYSTEM
- THE BEST CONSISTENCY, THE HIGHEST C/P VALUE
- IT'S GOOD FOR MULTIMEDIA APPLICATION

## 2" PP FULL RANGE



DIAPHRAGM MTL	PP
SURROUND MTL	Santoprene
NOMINAL IMPEDANCE	6 Ω
DCR IMPEDANCE	5.6 Ω
SENSITIVITY 1W/1m	82 dB
FREQUENCY RESPONSE	155 - 20K Hz
FREE AIR RESONANCE	155 Hz
VOICE COIL DIAMETER	14.28 mm
AIR GAP HEIGHT	2 mm
RATED POWER INPUT	3 W
MAXIMUM POWER INPUT	6 W
FORCE FACTOR, BL	2.12 TM
MAGNET WEIGHT ( oz)	Neodymium
MOVING MASS	0.77 g
FERROFLUID ENHANCED	No
SUSPENSION COMPLIANCE	1370 μMN <sup>-1</sup>
EFFECTIVE PISTON AREA	0.0013 M <sup>2</sup>
Levc	0.028 mH
Zo	22 ohm
X-max	0.7 mm
Vas	0.33 Liter
Qts	0.70
Qms	2.84
Qes	0.94

# TB SPEAKERS

VOICE:886.2.26570282 FAX:886.2.26580166  
E-MAIL :info@tb-speaker.com