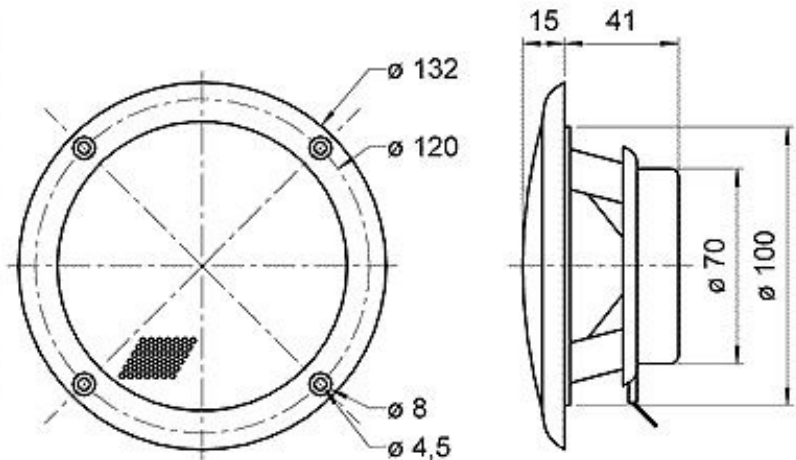


FR10WP (#2130)

Technical Data:

Rated power	20 Watt
Maximum power	30 Watt
Nominal impedance	4 OHM
Frequency response (-10 dB)	80 - 16000 Hz
Mean sound pressure level	85 dB (1W/1m)
Resonance frequency fs	120 Hz
Voice coil diameter	20 mm
Cutout diameter	101 mm
Net weight	275 g
D.C. resistance Rdc	3,8 Ohm
Mechanical Q factor Qms	3,13
Electrical Q factor Qes	2,14
Total Q factor Qts	1,27
Equivalent volume Vas	2,1 l
Effective piston area Sd	50 cm ²
Dynamically moved mass Mms	5 g
Force factor Bxl	2,75 Tm
Inductance of the voice coil L	0,3 mH
Heat resistance	80°C
Colour	schwarz / black



FR 10 WP
26.02.02

