

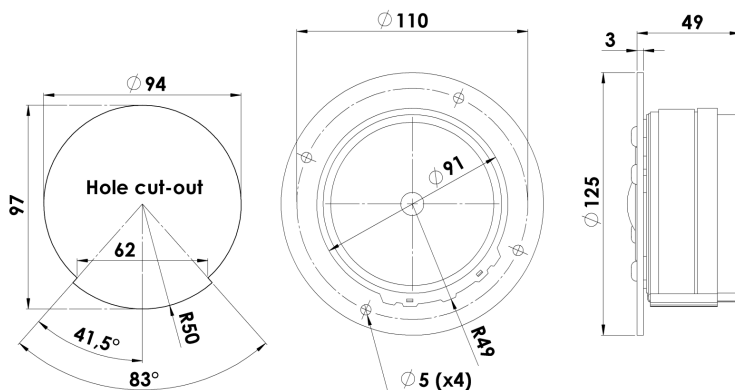


CLASSIC

TWEETER

D3806/820000

D3806/820000 was one the very first Scan-Speak products, now been on the marked more than 4 decades and continuing beeing successful as one of the best upper midranges on the marked



KEY FEATURES:

- 1½" Textile Dome Diaphragm
- Patented Symmetrical Drive (SD-2) motor
- Black Painted Alu Face Plate
- Optimized for Upper Midrange
- Low Resonant Rear Chamber

T-S Parameters

Resonance frequency [fs]	450 Hz
Mechanical Q factor [Qms]	0.93
Electrical Q factor [Qes]	1.00
Total Q factor [Qts]	0.48
Force factor [Bl]	3.6 Tm
Mechanical resistance [Rms]	2.44 kg/s
Moving mass [Mms]	0.8 g
Suspension compliance [Cms]	0.16 mm/N
Effective diaph. diameter [D]	42 mm
Effective piston area [Sd]	14 cm ²
Equivalent volume [Vas]	0.04 l
Sensitivity (2.83V/1m)	89 dB
Ratio Bl/√Re	1.51 N/√W
Ratio fs/Qts	938 Hz

Notes:

IEC specs. refer to IEC 60268-5 third edition.
All Scan-Speak products are RoHS compliant.
Data are subject to change without notice.
Datasheet updated: February 22, 2011.

Electrical Data

Nominal impedance [Zn]	6 Ω
Minimum impedance [Zmin]	6.3 Ω
Maximum impedance [Zo]	11.0 Ω
DC resistance [Re]	5.7 Ω
Voice coil inductance [Le]	0.04 mH

Power Handling

100h RMS noise test (IEC 17.1)*	100 W
Long-term max power (IEC 17.3)*	- W

*Filter: 2. order HP Butterworth, 1 kHz

Voice Coil and Magnet Data

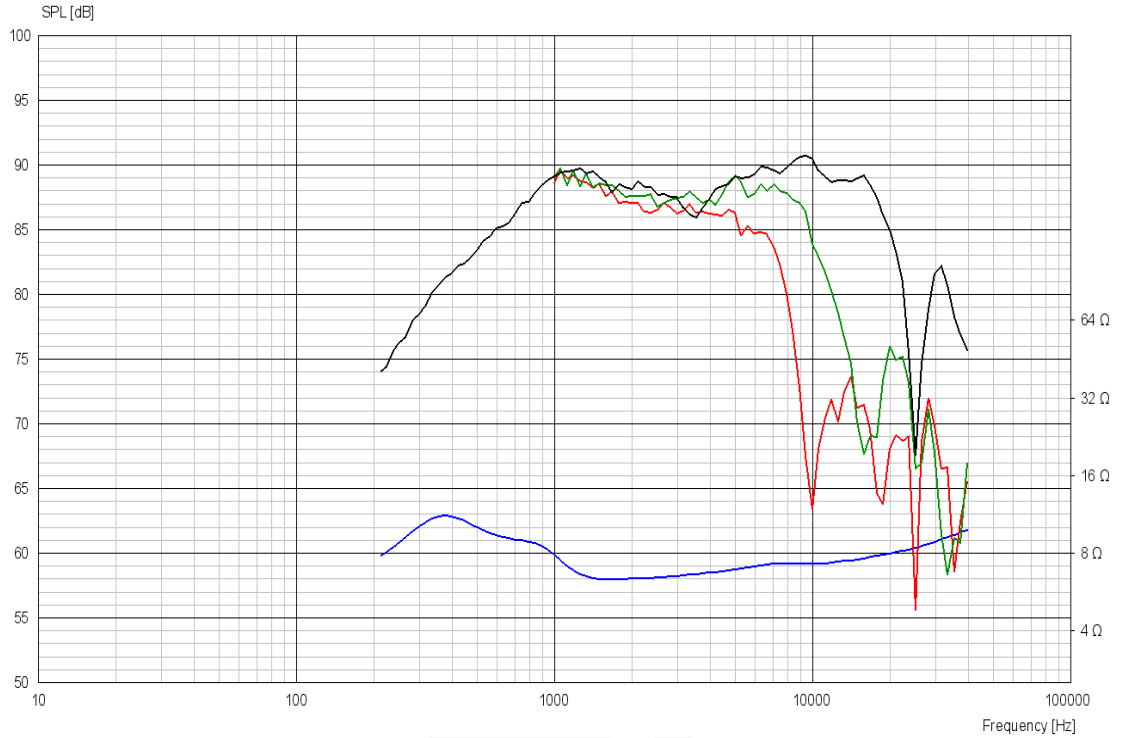
Voice coil diameter	38 mm
Voice coil height	3.2 mm
Voice coil layers	2
Height of gap	2.5 mm
Linear excursion	± 0.4 mm
Max mech. excursion	± 1 mm
Unit weight	1.1 kg





TWEETER

D3806/820000



Advanced Parameters (Preliminary)



Electrical data:

Resistance [Re']	- Ω
Free inductance [Leb]	- mH
Bound inductance [Le]	- mH
Semi-inductance [Ke]	- SH
Shunt resistance [Rss]	- Ω

Mechanical Data

Force Factor [Bl]	- Tm
Moving mass [Mms]	- g
Compliance [Cms]	- mm/N
Mechanical resistance [Rms]	- kg/s
Admittance [Ams]	- mm/N